

# Kinematic Mirror Holder

MHG

RoHS

With their simple structure, excellent rigidity and stability, kinematic mirror holders are used in interferometers and laser resonators.



- There are two types of mirror holders, a high stability model (MHG-HS) and a production model (MHG-MP).
- The MHG-HS high stability model is fitted with large adjustment knobs. These knobs allow for movement in the vertical direction as well making it a 3 axes mount.
- Three points fixation of the mirrors reduce the stress caused by mounting greatly.
- These holders have a large aperture for reflective or transmitted light. The retaining rings to not reduce the clear aperture.

## Guide

- This product can be mounted on pedestal stands (PST: optional) [WEB Reference](#) [Catalog Code](#) W6039 or posts with an M6 external thread (RO: optional) [WEB Reference](#) [Catalog Code](#) W6052.
- Production model (MHG-MP) can be fixed directly on plates or stages with M4 screws.

## Attention

- The rotation center of the production model (MHG-MP) is outside the mirror (fulcrum of holder).
- To mount the high stability model (MHG-HS) on a flat surface, use the plates for mounting posts (MHG-\*\*BPRO). [WEB Reference](#) [Catalog Code](#) W4002



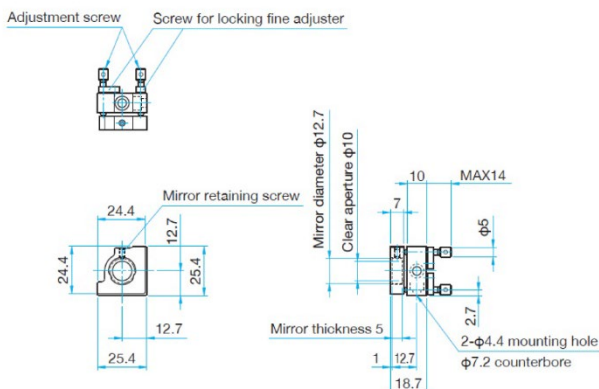
- When the plates for mounting posts (MHG-\*\*BPRO) are used, the optical axis will move 10mm upward.
- The back surface of the mirror is the reference surface when the mirror is mounted in the holder. Due to this condition, the location of the front surface will vary with the thickness of the mirror.

## Outline Drawing

(in: mm)

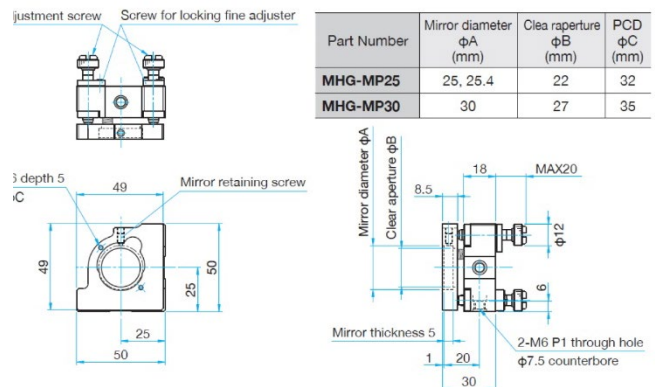
### MHG-MP12.7

Hexagonal socket head cap screw M4×6~1 screws



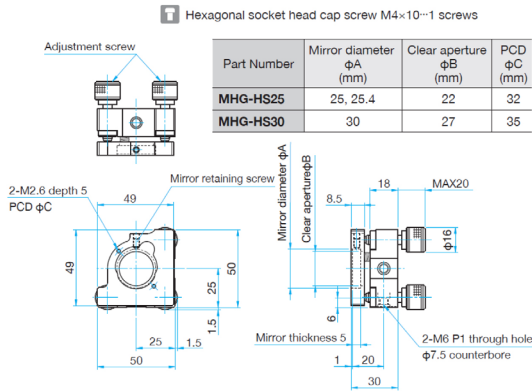
### MHG-MP25/-MP30

Hexagonal socket head cap screw M4×10~1 screws

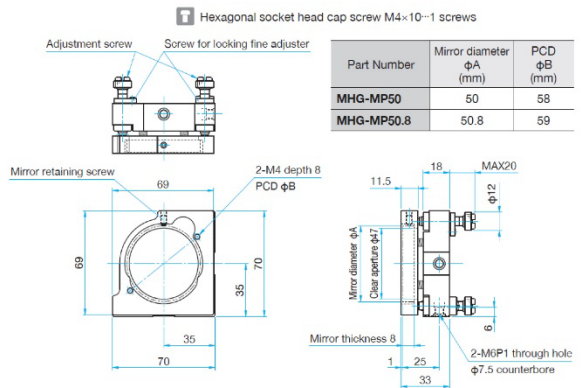


MHG-E2403

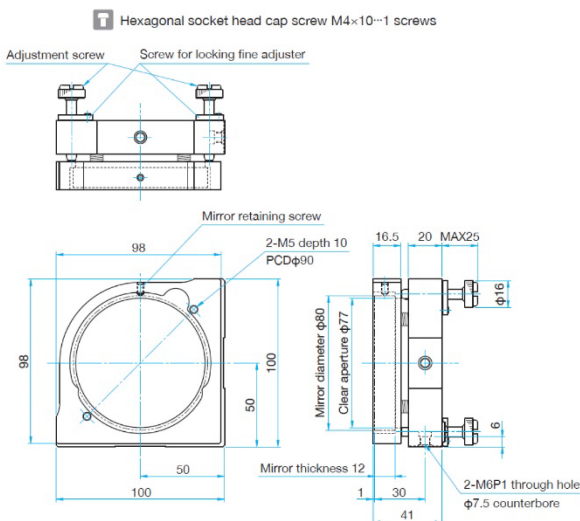
MHG-HS25/-HS30



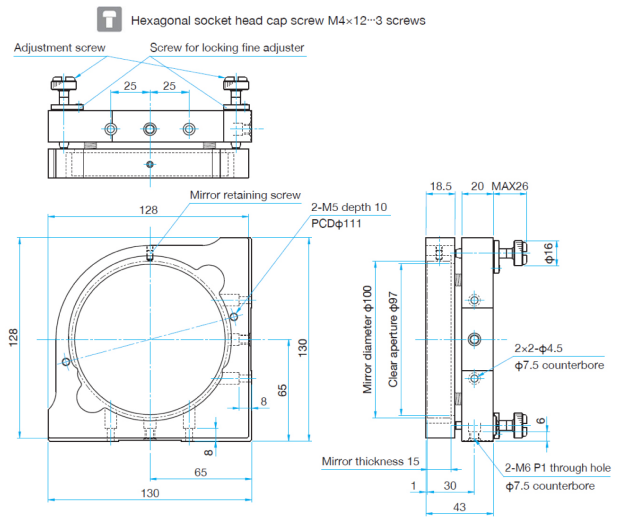
MHG-MP50/-MP50.8



MHG-80



MHG-100



Specifications

Primary material: Aluminum (Brass only for MHG-MP12.7)  
Finish: Black Anodized (Super Black Chrome only for MHG-MP12.7)

Part Number	Compatible Optics Diameter [mm]	Compatible Optics Thickness [mm]	Number of Adjustment Axes	Adjustment Range		Resolution		Weight [kg]
				Tilt [°]	Rotation [°]	Tilt [°/rotation]	Rotation [°/rotation]	
MHG-MP12.7	$\phi 12.7$	3 - 5	3	$\pm 3$	$\pm 3$	about 0.74	about 0.74	0.04
MHG-MP25	$\phi 25, \phi 25.4$	3 - 5	2	$\pm 3$	$\pm 3$	about 0.39	about 0.39	0.12
MHG-HS25	$\phi 25, \phi 25.4$	3 - 5	3	$\pm 3$	$\pm 3$	about 0.39	about 0.39	0.12
MHG-MP30	$\phi 30$	3 - 5	2	$\pm 3$	$\pm 3$	about 0.39	about 0.39	0.12
MHG-HS30	$\phi 30$	3 - 5	3	$\pm 3$	$\pm 3$	about 0.39	about 0.39	0.12
MHG-MP50	$\phi 50$	5 - 8	2	$\pm 2$	$\pm 2$	about 0.26	about 0.26	0.24
MHG-MP50.8	$\phi 50.8$	5 - 8	2	$\pm 2$	$\pm 2$	about 0.26	about 0.26	0.24
MHG-80	$\phi 80$	7 - 12	2	$\pm 2$	$\pm 2$	about 0.18	about 0.18	0.38
MHG-100	$\phi 100$	10 - 15	2	$\pm 2$	$\pm 2$	about 0.13	about 0.13	0.56