

# VMS Series 1/2"

In combination with an objective lens, the VMS series, given its high numerical aperture, is well suited for very close up inspection. It can be used in combination with various infinity-corrected objective lens adapters. Suitable for high precision alignment and inspection.

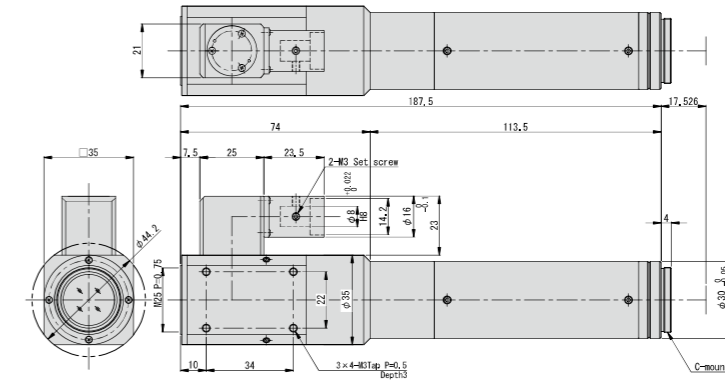
### Features

- 5x - 100x objective lenses available
- High NA
- Coaxial light support
- High contrast

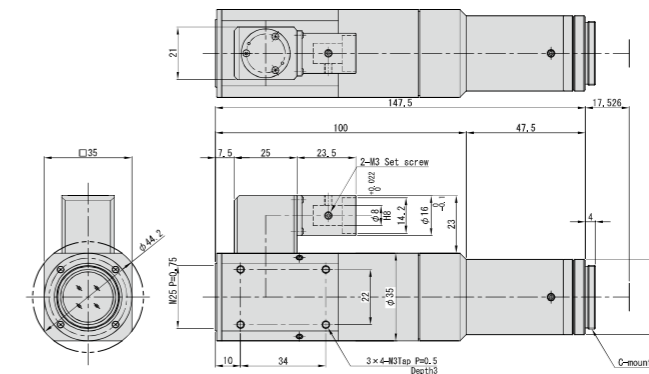


## VS-MS1N Standard model

### VMS-1



### VMS-05



## Objective Lens

### HVM-MOS

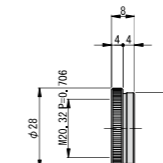
	HVM-MOS5X	HVM-MOS10X	HVM-MOS20X	HVM-MOS50X	HVM-MOS100X
Mag.	5X	10X	20X	50X	100X
NA	0,1	0,25	0,45	0,55	0,8
WD (mm)	11,4	6,5	11	8,2	2
Focal length (f)(mm)	40	20	10	4	2
DOF	14	3,5	1,6	0,9	0,4
FOV (mm) 1/2CCD	0,96x1,28	0,4x0,64	0,24x0,32	0,1x0,13	0,05x0,06

### HVM-MOL

	HVM-MOL2X	HVM-MOL5X	HVM-MOL10X	HVM-MOL20X	HVM-MOL50X	HVM-MOL100X
Mag.	2X	5X	10X	20X	50X	100X
NA	0,055	0,13	0,28	0,28	0,42	0,55
WD (mm)	34,5	45	34	31	20,5	13
Focal length (f)(mm)	100	40	20	10	4	2
DOF	91	14	3,5	3,5	1,6	0,9
FOV (mm) 1/2CCD	2,4x3,2	0,96x1,28	0,43x0,64	0,24x0,32	0,10x0,13	0,05x0,06

## Mount Adapter

### MA-25-20.32



### MA-25-26

