

Compact Motorized Polarizer Holder

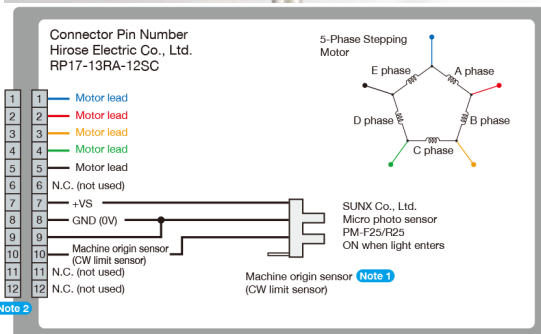
OSMS-60W



Automatically rotating the polarizer (30mm outer diameter, 2.5-8.3mm thickness).

Utilizing our OSMS-60YAW motorized rotation stage to realize high accuracy rotation alignment.

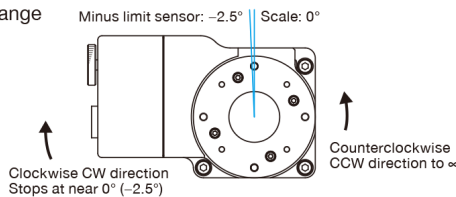
- Can be operated with our controller (see below the table)



Note 1 When a travel command in the "+" direction is issued, the mounting table rotates to ∞ in the CCW (counterclockwise) direction viewed from the top surface, but it is stopped by the machine origin sensor (CW limit sensor) in the CW (clockwise) direction. Detect the machine origin using the method (MINI system) that detects the origin with a machine origin sensor (CW limit sensor).

Note 2 Compatible cable connector: Hirose Electric Co., Ltd. RP17-13PA-12PC/RP17-PC-122

▶ Rotation Range



Guide

- ▶ Adapters, which are available individually, can be easily installed onto the mounting surface of stage (OSMS-60YAW or discontinued SGSP-60YAW-0B). The optics is secured using retaining ring.
- ▶ Please contact us for installation onto other automatic rotation stages.
- ▶ Please contact us for mounting prisms with different sizes.

Specifications

Part Number	OSMS-60-WPQ-30	OSMS-60-WHD-30
Product Name	Compact Motorized Polarizer Holder	Adapter for Waveplate
Composition	OSMS-60YAW + OSMS-60-WHD-30 + RO-12-60	—
Compatible Optics Diameter [mm]	φ30	
Compatible Optics Thickness [mm]	2.5~8.3	
Weight [kg]	0.53	0.08

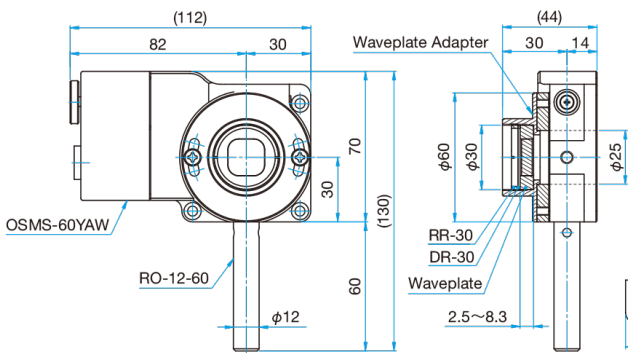
Compatible Controller / Cable

Compatible Controller	GSC-01、GSC-02、SHOT-702、GIP-101、SHOT-302GS、SHOT-304GS、HIT-M・HIT-S、PGC-04-U、HSC-103
Compatible Cable	D15RP-CA
OSMS-60YAW Specifications	
Rotation Range	Move in the counterclockwise CCW direction to ∞, and stop at near 0 degree (-2.5°) in the clockwise CW direction.
Resolution [°/pulse]	(Full)0.005° (Half)0.0025°
MAX Speed [°/sec]	30

- Please check our website for details about OSMS-60YAW.

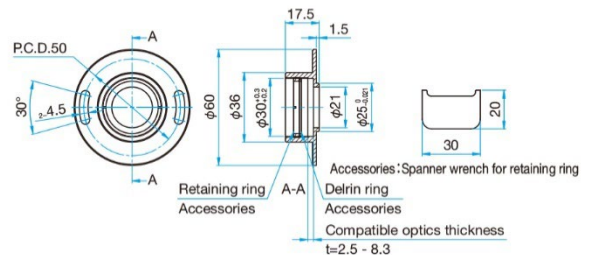
Outline Drawing

OSMS-60-WPQ-30



OSMS-60-WHD-30

- Spanner wrench for retaining ring × 1 piece,
- Cross recessed pan head screw M4 × 8...2 screws,
- Flat washer for M4...2 Pieces, Spring washer for M4...2 Pieces,
- Retaining Ring φ30...1 piece, Delrin Ring 30 × 27 × 1...1 piece



Accessories:Spanner wrench for retaining ring