

XZ axis Preset Stages

MLT24-□ Stage size □15/□25/□40/□60mm

RoHS

Application Systems

Machine Vision

Manual Positions

Motion Control Products

Optical & Mirror Holder

FA Parts

Measurement & Control

FA Electrical Parts

Tool & Measure

Cleanroom & AntiStatic

Index

X Axis

XY Axis

Z Axis

XZ Axis

XYZ Axis

Rotation

Goniometers /Tilt

Multiaxis

Linear Guide

□15mm

□25mm

□40mm

□50mm

□60mm

□70mm

□80mm

□100mm

□120mm

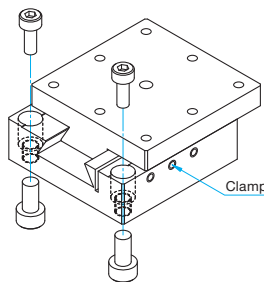
Others

Space-saving, no compact XZ axis stages with horizontal table top, suitable for less frequent operations that require fine adjustment.

- Ideal for less frequent operations and fine adjustment.
- Elimination of adjustment knobs can prevent errant operations, and elimination of protrusions makes these stages suitable for assembly in systems.



Mounting Method



About Mounting Holes

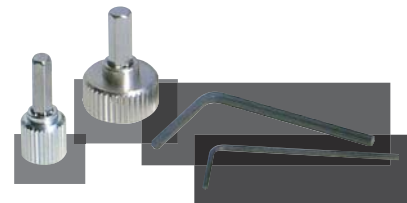
The bottom mounting holes of preset stages are tapped holes. These stages allow mounting from the top or the bottom, convenient for securing on optical breadboards or other instruments as well as assembling in systems. Use the screws of the sizes listed in the table on the right for mounting.

Part Number	Secure from the top	Secure from the bottom
MLT24-15	M2	M2.6
MLT24-25	M2	M3
MLT24-40	M3	M4
MLT24-60	M4	M5

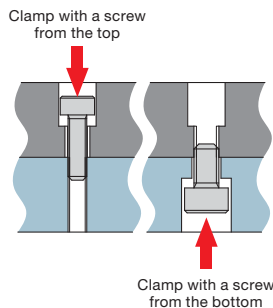
* When mounting from the top surface, slide the X axis to insert screws in mounting holes.

Guide

- ▶ A hex wrench with knob and clamping wrench are included.



Detailed Illustration



Top mounting

Tapped holes are used as counterbores because screws are smaller than tapped holes and will go in without any interference.

Bottom mounting

Clamp with screws that match the specification of tapped holes.

Specifications

Part Number	MLT24-15	MLT24-25	MLT24-40	MLT24-60
Table Size [mm]	15×15	25×25	40×40	60×60
Travel [mm]	X axis ±2, Z axis +2/-0	X axis ±3, Z axis +3/-0	X axis ±7, Z axis +5/-0	X axis ±10, Z axis +7/-0
Screw Pitch [mm]	0.4	0.5	0.5	0.5
Positioning Slide	Dovetail slide method	Dovetail slide method	Dovetail slide method	Dovetail slide method
Primary Material	Brass	Brass	Brass	Brass
Finish	Super black chrome	Super black chrome	Super black chrome	Super black chrome
Load Capacity [N]	4.9 (0.5kgf)	6.9 (0.7kgf)	29.4 (3.0kgf)	98.1 (10.0kgf)
Travel Accuracy	Straightness [μm]	30	30	30
Max. Moment Capacity	Pitch [N·m]	—	0.3	0.5
	Roll [N·m]	—	0.3	0.5
Moment Stiffness	Pitch ["/N·cm]	—	8.2	5.2
	Roll ["/N·cm]	—	5.6	3.1
Parallelism [μm]	150	150	150	150
Weight [kg]	0.03	0.11	0.4	1.4

Configuration

Part Number	MLT24-15	MLT24-25	MLT24-40	MLT24-60
Z axis	MLT23-15	MLT23-25	MLT23-40	MLT23-60
X axis	MLT21-15	MLT21-25	MLT21-40	MLT21-60



Application Systems

Machine Vision

Manual Positions

Motion Control Products

Optical & Mirror Holder

F A Parts

Measurement & Control

FA Electrical Parts

Tool & Measure

Cleanroom & AntiStatic

Index

X Axis

XY Axis

Z Axis

XZ Axis

XYZ Axis

Rotation

Goniometers /Tilt

Multiaxis

Linear Guide

15mm

25mm

40mm

50mm

60mm

70mm

80mm

100mm

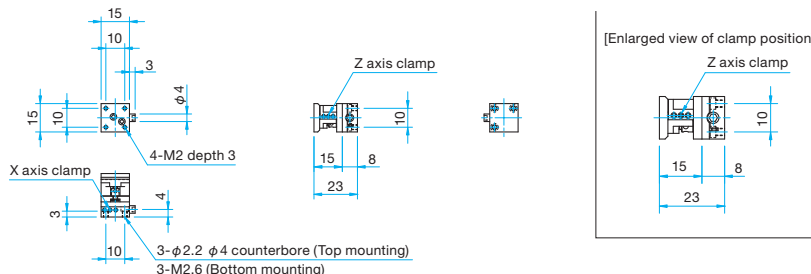
120mm

Others

Outline Drawing

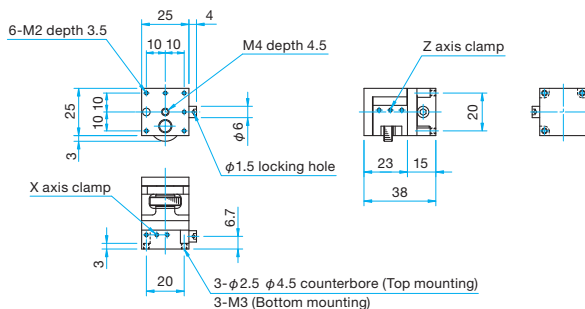
MLT24-15

- ⊠ Pan head screw M2×5...3 screws, One 2.5mm hex wrench with knob, One 0.89mm hex wrench
- ⊙ X axis=Wrench size for adjustment 2.5mm, Z axis=Adjustment hole size ϕ 1.8mm
- ⊙ Wrench size for clamp common to X and Z axes=0.89mm



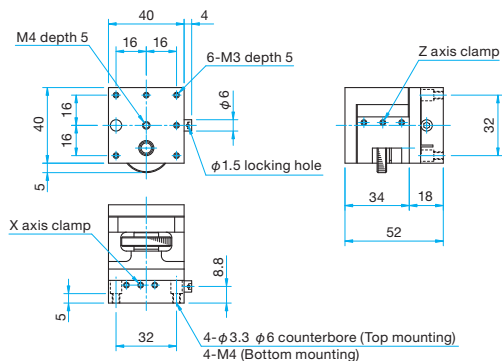
MLT24-25

- ⊠ Pan head screw M2×6...3 screws, One 3mm hex wrench with knob, One 0.89mm hex wrench
- ⊙ Wrench size for adjustment X axis=3mm, Wrench size for clamp common to X and Z axes=0.89mm



MLT24-40

- ⊠ Pan head screw M3×8...4 screws, One 3mm hex wrench with knob, One 1.5mm hex wrench
- ⊙ Wrench size for adjustment X axis=3mm, Wrench size for clamp common to X and Z axes=1.5mm



MLT24-60

- ⊠ Hexagonal socket head cap screw M4×10...4 screws, One 3mm hex wrench with knob, One 1.5mm hex wrench
- ⊙ X axis=Wrench size for adjustment 3mm, Z axis=Adjustment hole size ϕ 3mm
- ⊙ Wrench size for clamp common to X and Z axes=1.5mm

