

## Stepping motor driven goniometer with 25mm x 25mm table size. Significantly minimized body size and ideally suited for applications that require space-saving.

- Motorized version of 25mm x 25mm manual goniometer (GOH series) while maintaining compact size.  
Integrated limit sensor enables automatic control by using standard stage controllers.



### Guide

- ▶ Various controllers and drivers are available for different applications.
- ▶ Appropriate cable (D15RP-CA or MINI-CA-SG) is required for selected controller or driver.

[WEB Reference](#) [Catalog Code](#) W9052

### Attention

- ▶ Since dovetail slide mechanism is adopted, the accuracy may decrease due to wear when operating repeatedly and continually. Please use for alignment purposes that movement is not required frequently once it is aligned. Please use OSMS-40A60/75 series in case durability is required for repetitive and continual operation.

[WEB Reference](#) [Catalog Code](#) W9079


Specifications			
Part Number		GOHM-25A40	
Mechanical Specifications	Angle Range [°]	±6	
	Stage Size [mm]	25×25	
	Positioning Slide	Dovetail slide method	
	Transmission mechanism	Worm gear	
	Stage Material	Brass	
	Finish	BCr	
	Weight [kg]	0.28	
Accuracy Specifications	Resolution	(Full) [°/pulse]	Approx. 0.00334
		(Half) [°/pulse]	Approx. 0.00167
	MAX Speed [°/sec]	3	
	Positional Repeatability [°]	0.01	
	Load Capacity [N]	9.8 (1.0kgf)	
	Moment Stiffness	Pitch ["/N·cm]	—
		Yaw ["/N·cm]	—
		Roll ["/N·cm]	5
	Lost Motion [°]	0.05	
	Backlash	—	
	Parallelism	—	
Wobble	—		
Running Parallelism	—		
Pitch ["/] / Yaw ["/]	—		
Sensor	Sensor Part Number	Micro photo sensor: GP1S092HCPIF (Sharp Corporation)	
	Limit Sensor	Equipped (NORMAL CLOSE)	
	Origin Sensor	None	

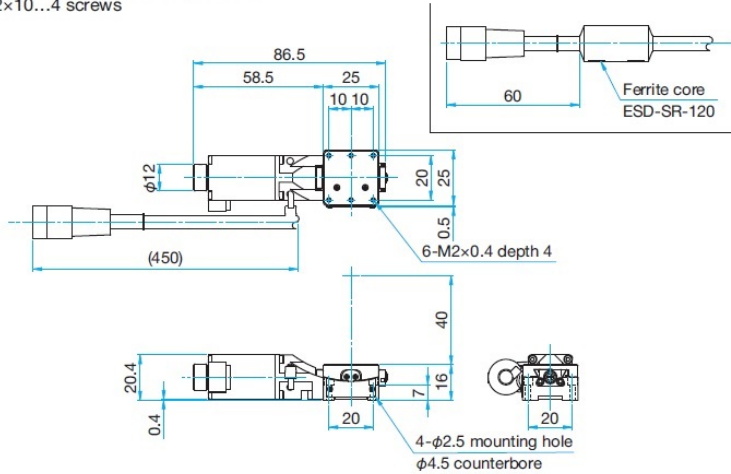
Motor / Sensor Specifications		
Motor	Type	5-phase stepping motor 0.35A/phase (Oriental Motor Co., Ltd.)
	Motor Part Number	PK513PB-C9 (□20mm)
	Step Angle	0.72°
Sensor	Power Voltage	DC5 - 24V±10%
	Current Consumption	40mA or lower (20mA or lower per sensor)
	Control Output	NPN open collector output DC30V or lower 50mA or lower
	Output Logic	When shaded: Output transistor OFF (no conduction)

Compatible Driver / Controller		
Control System	Compatible Driver	SG-5MA, MC-S0514ZU, SG-514MSC
	Compatible Controller	GSC-01, GSC-02, SHOT-302GS, SHOT-304GS, SHOT-702, HIT-MV/HIT-SA, PGC-04-U

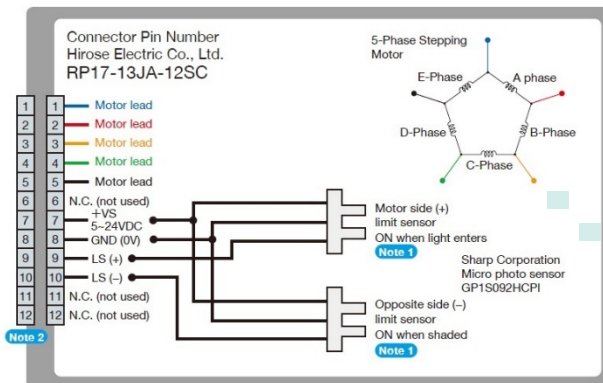
## Outline Drawing

### GOHM-25A40

 Hexagonal socket head cap screw  
M2x10...4 screws



## Connection Diagram



**Note 1** The motor side limit sensor is the + direction limit sensor.  
Motorized stages are not fitted with origin and proximity origin sensors.  
Limit sensors are used as origin detection sensors.

**Note 2** Compatible cable connector:  
Hirose Electric Co., Ltd. RP17-13PA-12PC/RP17-PC-122

## Compatible Controllers / Drivers and Cables

