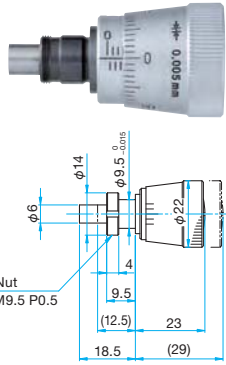


Micrometer heads used with Sigma Koki manual stages and holders.

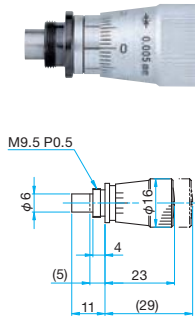
Travel: 15mm or less



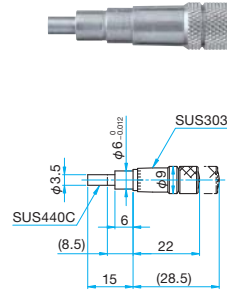
SFN-01



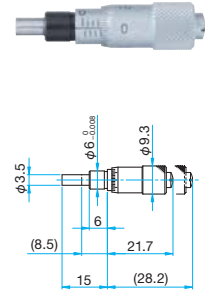
SFN-02



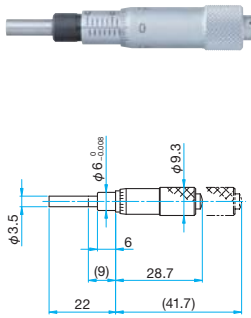
SHTS1-6.5



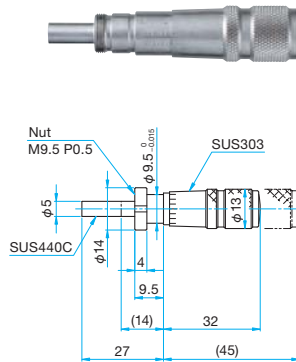
SHT1-6.5



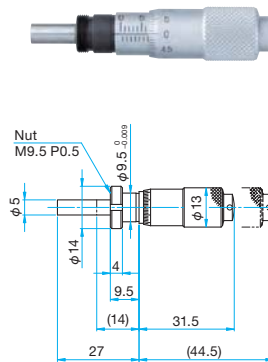
SHT1-13



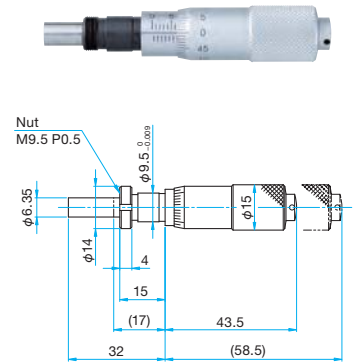
SHSS2-13



SHS2-13



SHM2-15



Attention

► Depending on the stage type, there is the possibility of shortened travel or interference with mounting parts. Contact our Sales Division when you swapping micrometer heads.

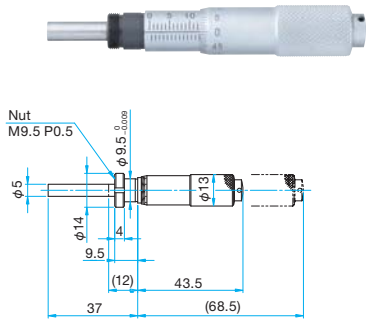
Specifications

Part Number	Travel [mm]	Type	Readable Resolution [mm]	Lead of Actuator [mm]	Load Capacity (Static load) [N]	Weight [kg]
SFN-01	0 - 6	Fine pitch	0.005	0.25	19.6 (2kgf)	0.06
SFN-02	0 - 6	Fine pitch	0.005	0.25	19.6 (2kgf)	0.03
SHTS1-6.5	0 - 6.5	Stainless steel	0.01	0.5	29.4 (3kgf)	0.01
SHT1-6.5	0 - 6.5	Standard	0.01	0.5	29.4 (3kgf)	0.01
SHT1-13	0 - 13	Small diameter	0.01	0.5	39.2 (4kgf)	0.015
SHSS2-13	0 - 13	Stainless steel	0.01	0.5	39.2 (4kgf)	0.04
SHS2-13	0 - 13	Standard	0.01	0.5	39.2 (4kgf)	0.03
SHM2-15	0 - 15	Standard	0.01	0.5	39.2 (4kgf)	0.06

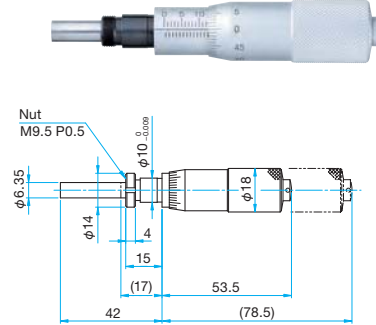


Travel: 25mm or more

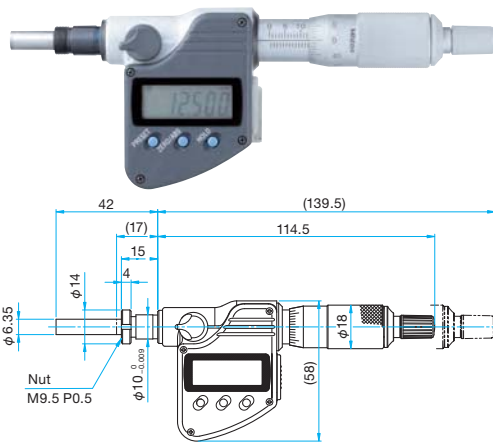
SHS2-25



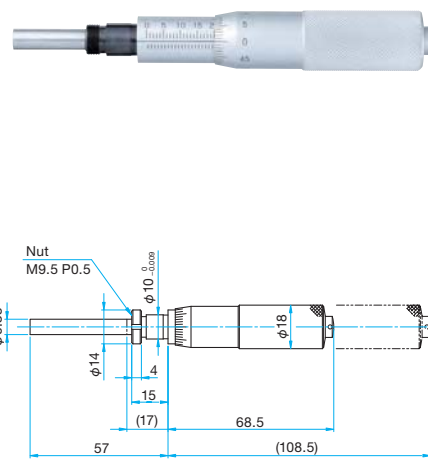
SHN2-25



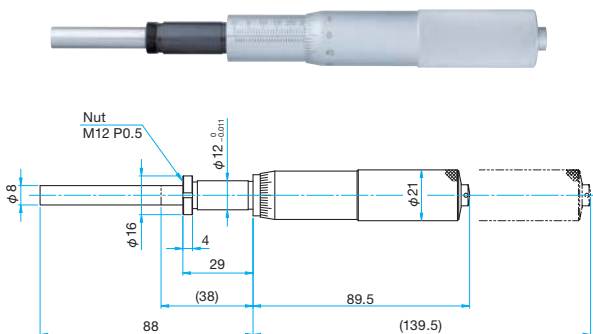
MHN2-25M



SHN2-40



SHH2-50



Attention

► Depending on the stage type, there is the possibility of shortened travel or interference with mounting parts. Contact our Sales Division when you swapping micrometer heads.

Specifications

Part Number	Travel [mm]	Type	Readable Resolution [mm]	Lead of Actuator [mm]	Load Capacity (Static load) [N]	Weight [kg]
SHS2-25	0 – 25	Small diameter	0.01	0.5	39.2 (4kgf)	0.05
SHN2-25	0 – 25	Standard	0.01	0.5	39.2 (4kgf)	0.09
MHN2-25M	0 – 25	Digital display	0.001	0.5	39.2 (4kgf)	0.235
SHN2-40	0 – 40	Small diameter	0.01	0.5	39.2 (4kgf)	0.12
SHH2-50	0 – 50	Standard	0.01	0.5	39.2 (4kgf)	0.23

Application Systems

Optics & Optical Coatings

Opto-Mechanics

Bases

Manual Stages

Actuators & Adjusters

MotORIZED Stages

Light Sources & Laser Safety

Index

Micrometer Heads

Differential Micrometer Heads

Fine-pitch Screws

Remote

PKA

ACT