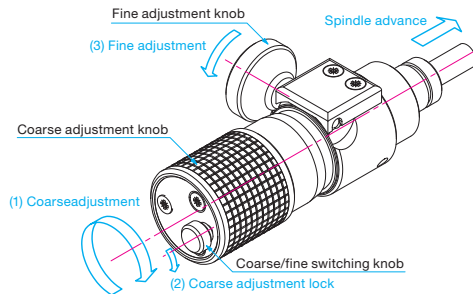


OptoSigma's unique worm-gear mechanism enables coarse and fine adjustment over the entire travel (13mm). The design reduces a system sizes as well as adjustment time.

- The fine or coarse knob can be use at any position along the 13 mm of travel.
- Allows resolution of 0.5µm over the entire travel.
- Non-rotating spindle



Part Names and Handling Instructions



- (1) Coarse adjustment**
Make a rough position adjustment using the coarse adjustment knob.
- (2) Coarse adjustment lock**
Lock the coarse drive with the coarse/fine switching knob.
- (3) Fine adjustment**
Make a fine adjustment using the fine adjustment knob.

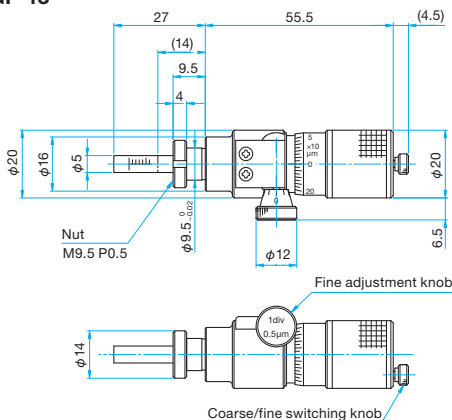
Common Specifications	
Travel [mm]	Coarse: 0 – 13, Fine: 0 – 13
Load Capacity (Static load) [N]	39.2 (4kgf)
Readable Resolution [mm]	Coarse: 0.005, Fine: 0.0005
Lead of Actuator [mm]	Coarse: 0.25, Fine: 0.005
Weight [kg]	0.1

Part Number	Tip Shape
WGP-13	Flat type
WGP-13R	R type

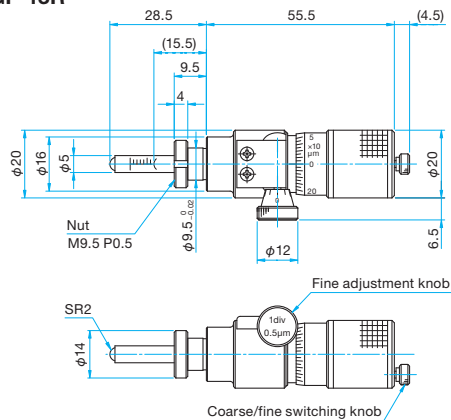


Outline Drawing

WGP-13



WGP-13R



Guide

- ▶ The micrometer head can be preinstalled with a manual stage. Contact our Sales Division for more information.

Attention

- ▶ Depending on the stage type, there is the possibility of shortened travel or interference with mounting parts. Contact our Sales Division when you exchange the micrometer head.
- ▶ The stopper inside the micrometer locks when you keep turning the coarse/fine adjustment knob. Stop turning the knob if you feel the micrometer overloaded or the micrometer will become damaged.
- ▶ Since the fine-adjustment uses a worm-gear mechanism, we recommend positioning from one direction to minimize backlash effects.



Example of combination with stage

Application Systems

Optics & Optical Coatings

Opto-Mechanics

Bases

Manual Stages

Actuators & Adjusters

MotORIZED Stages

Light Sources & Laser Safety

Index

Micrometer Heads

Differential Micrometer Heads

Fine-pitch Screws

Remote

PKA

ACT