

Manual 12-axis (6-axis) Optical Fiber Alignment Stage Unit

Motorized 12-axis (6-axis) Optical Fiber Alignment Stage Unit

DAU-080M

DAU-080A

DAU-080M

Catalog Code W2032

Application Systems

Optics & Optical Coatings

Opto-Mechanics

Bases

Manual Stages

Actuators & Adjusters

Motorized Stages

Light Sources & Laser Safety

Index

Microscope Unit

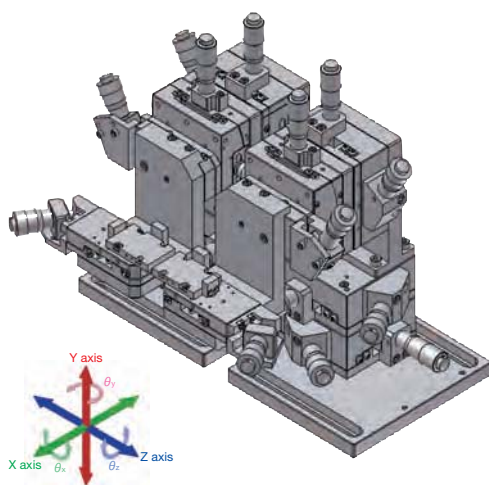
Alignment

Interferometers

Inspection/Observation

Bio-photonics

Laser Processing



Manual 12-axis (6-axis) optical fiber alignment stage units. These units are best suited for alignment of passive devices such as optical waveguide and fiber array.

- Use of high resolution stages enables alignment with high rigidity and high efficiency.
- The magnetic mounting method and the positioning mechanism used in the holders ensure positional repeatability.
- A variety of compatible holders enables application extension associated with device change.
(Fiber holders, fiberrotation holders, fiber array holders, etc.)

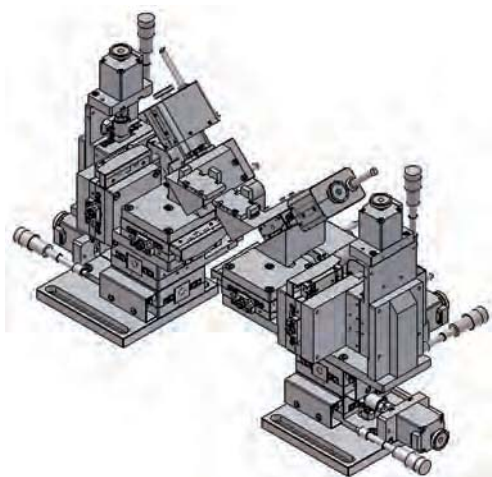
Part Number	Axis
DAU-080M-0	12 axes
DAU-080M-L	6 axes
DAU-080M-R	6 axes

Specifications

Part Number	Axis	X	Y	Z	θ_x	θ_y	θ_z
DAU-080M-L	Travel	Coarse: $\pm 6.5\text{mm}$ Fine: $\pm 0.25\text{mm}$	Coarse: $\pm 6.5\text{mm}$ Fine: $\pm 0.25\text{mm}$	Coarse: $\pm 6.5\text{mm}$ Fine: $\pm 0.25\text{mm}$	$\pm 2.5^\circ$	$\pm 2.5^\circ$	$\pm 5^\circ$
	Resolution	Coarse: 0.01mm Fine: 0.0005mm	Coarse: 0.01mm Fine: 0.0005mm	Coarse: 0.01mm Fine: 0.0005mm	27.8"	27.8"	26.8"
DAU-080M-R	Travel	Coarse: $\pm 6.5\text{mm}$ Fine: $\pm 0.25\text{mm}$	Coarse: $\pm 6.5\text{mm}$ Fine: $\pm 0.25\text{mm}$	Coarse: $\pm 6.5\text{mm}$ Fine: $\pm 0.25\text{mm}$	$\pm 2.5^\circ$	$\pm 2.5^\circ$	$\pm 5^\circ$
	Resolution	Coarse: 0.01mm Fine: 0.0005mm	Coarse: 0.01mm Fine: 0.0005mm	Coarse: 0.01mm Fine: 0.0005mm	27.8"	27.8"	26.8"

DAU-080A

Catalog Code W2033



Motorized 12-axis (6-axis) alignment stage units with six pairs of symmetrical axes. These units are best suited for alignment of passive devices such as optical waveguide and fiber array.

- Use of high resolution stages enables alignment with high rigidity and high efficiency.
- The magnetic mounting method and the positioning mechanism used in the holders ensure positional repeatability.
- A variety of compatible holders enables application extension associated with device change.
(Fiber holders, fiberrotation holders, fiber array holders, etc.)

Part Number	Axis
DAU-080A-0	12 axes
DAU-080A-L	6 axes
DAU-080A-R	6 axes

Specifications

Part Number	Axis	X	Y	Z	θ_x	θ_y	θ_z	
DAU-080A-L	Travel	30mm	30mm	30mm	$\pm 9^\circ$	$\pm 7^\circ$	$\pm 5^\circ$	
	Resolution	(Full)	2 μm	2 μm	2 μm	$\approx 0.00229^\circ$	$\approx 0.00198^\circ$	$\approx 0.0217^\circ$
		(Half)	1 μm	1 μm	1 μm	$\approx 0.00115^\circ$	$\approx 0.00095^\circ$	$\approx 0.0108^\circ$
	Positioning Accuracy	<6 μm	<6 μm	<6 μm	–	–	–	
	Positional Repeatability	<1 μm	<1 μm	<1 μm	$< \pm 0.004^\circ$	$< \pm 0.004^\circ$	$< \pm 0.004^\circ$	
DAU-080A-R	Travel	30mm	30mm	30mm	$\pm 9^\circ$	$\pm 7^\circ$	$\pm 5^\circ$	
	Resolution	(Full)	2 μm	2 μm	2 μm	$\approx 0.00229^\circ$	$\approx 0.00198^\circ$	$\approx 0.0217^\circ$
		(Half)	1 μm	1 μm	1 μm	$\approx 0.00115^\circ$	$\approx 0.00095^\circ$	$\approx 0.0108^\circ$
	Positioning Accuracy	<6 μm	<6 μm	<6 μm	–	–	–	
	Positional Repeatability	<1 μm	<1 μm	<1 μm	$< \pm 0.004^\circ$	$< \pm 0.004^\circ$	$< \pm 0.004^\circ$	

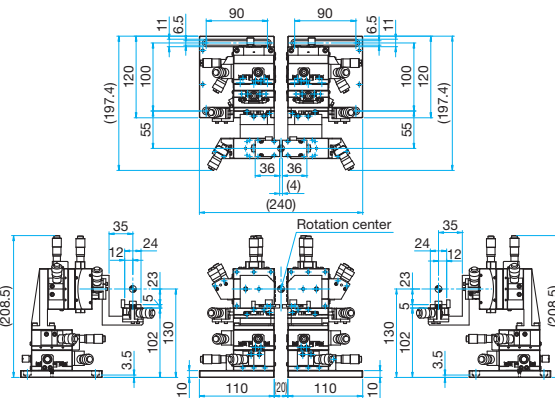
Motorized 3-axis XYθ Stage Unit | DAU-120A



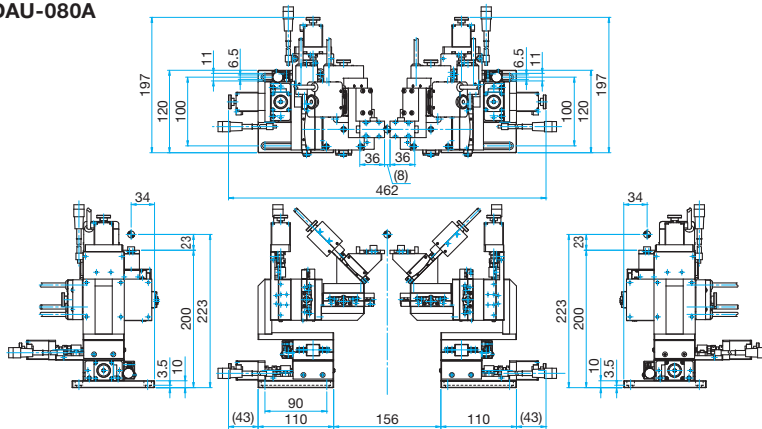
Outline Drawing

(in mm)

DAU-080M



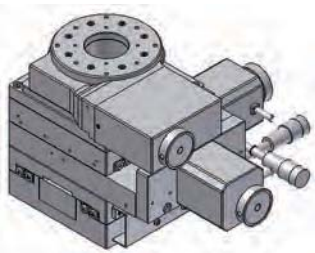
DAU-080A



DAU-120A

Catalog Code W2034

Motorized 3-axis XYθ stage unit required for alignment of TOSA (UV cure adhesive mounting type)/ROSA.



- Optional configurations include a gimbaled mount for YAG laser welding as well as a Z axis stage.
- Use of the high stiffness and high performance stages enabled alignment with excellent repeatability.
- A variety of compatible holders enables application extension associated with device change. (Fiber holders, fiberrotation holders, fiber array holders, etc.)

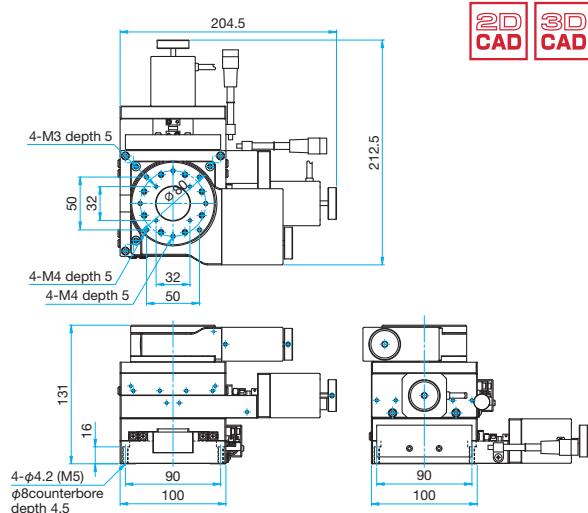
Part Number	Axis
DAU-120A	3 axes

Specifications

Part Number	Axis	X	Y	θ	
DAU-120A	Travel	50mm	50mm	Move in the counterclockwise CCW direction to ∞ and stop at near 0 degree (-2.5°) in the clockwise CW direction.	
	Resolution	(Full)	2μm	2μm	0.005°/pulse
		(Half)	1μm	1μm	0.0025°/pulse
	Positioning Accuracy	<6μm	<6μm	0.15°	
Positional Repeatability	<1μm	<6μm	0.02°		

Outline Drawing

(in mm)



Application Systems

Optics & Optical Coatings

Opto-Mechanics

Bases

Manual Stages

Actuators & Adjusters

Motoeized Stages

Light Sources & Laser Safety

Index

Microscope Unit

Alignment

Interferometers

Inspection/Observation

Bio-photonics

Laser Processing