

Four types to match your use environment

AC Input Types



PJ-1505-2CA  
2 channels



PJ-1505-3CA  
3 channels

24 VDC Input Types



PJ-1505-2CD24  
2 channels



PJ-1505-3CD24  
3 channels



Compliant model(s)  
PJ-1505-2CA / PJ-1505-3CA / PJ-1505-2CD24 / PJ-1505-3CD24

The supplied AC cord is for use with 100 to 120 VAC.  
If you want to use the Control Unit with 200 to 240 VAC,  
you must procure another appropriate AC power cord.

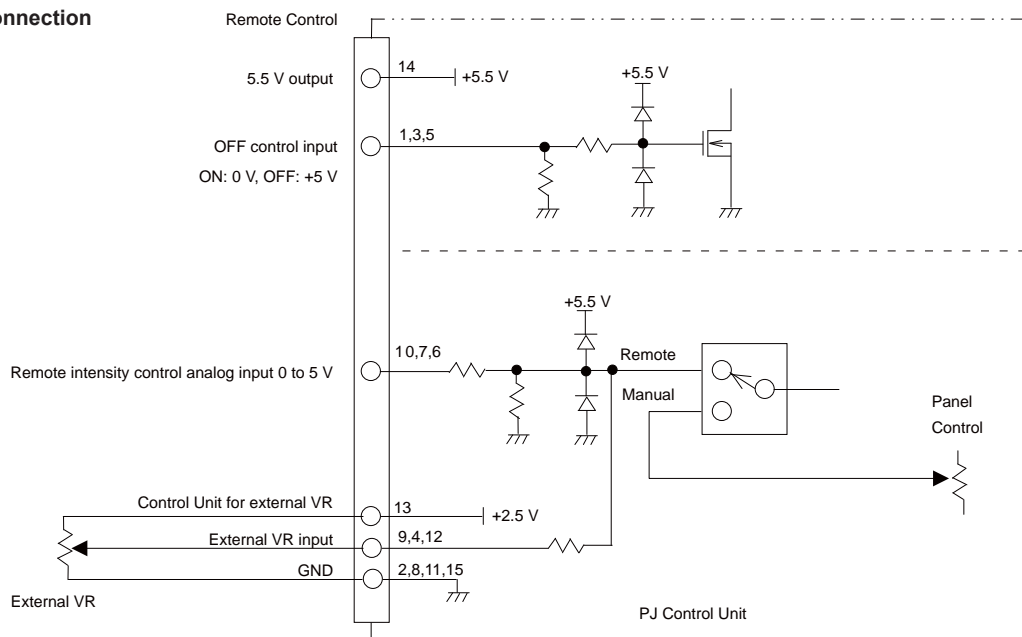
Features

- Dedicated Analog Control Units for the Spot Light HLV3/HLV2 series. (Spot Light HLV3 series Product Page ► P. 151)
- Stepless intensity control is performed by varying the current. (Spot Light HLV2 series Product Page ► P. 157)
- There are 2 and 3-channel Light Unit output types.
- You can select AC or DC power supply types.

Example Connection

Refer to the "Instruction Guide" for details.

PJ series  
Example connection

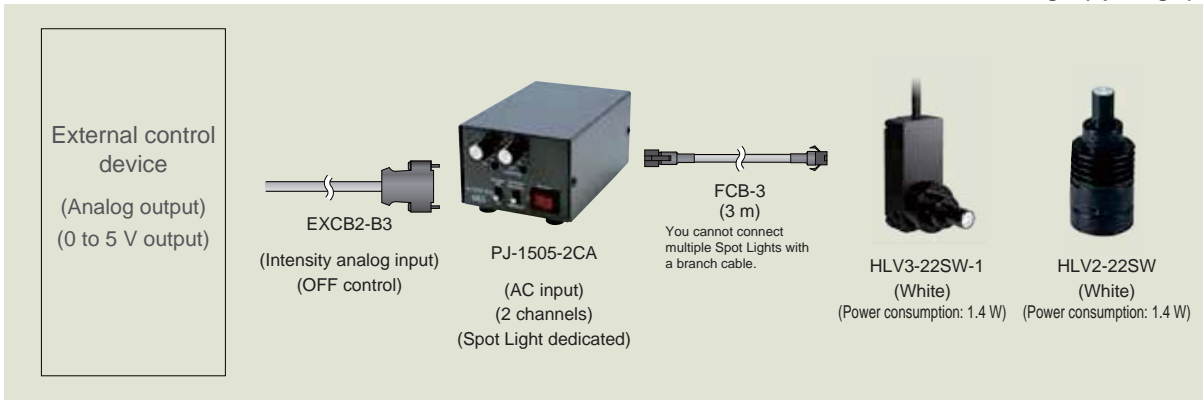


Remote intensity control or external VR can be used. (Cannot be used at same time.)

## Example System Configuration

Example:

External control device — External control cable — Control Unit — Extension cables — LED Light (Spot Light)



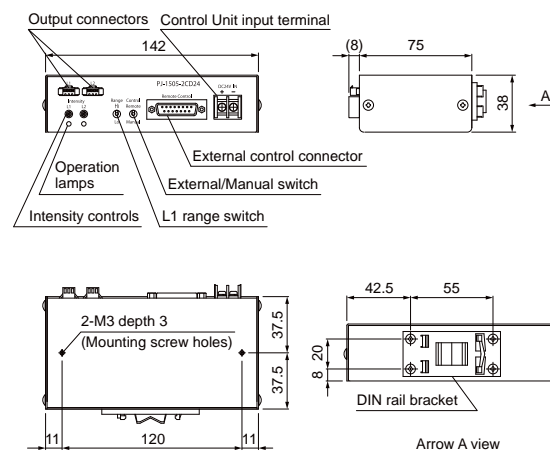
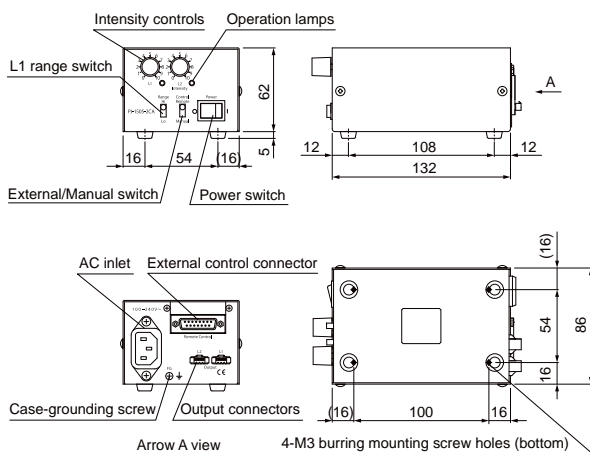
## Specifications

Model name	PJ-1505-2CA	PJ-1505-3CA	PJ-1505-2CD24	PJ-1505-3CD24
Input voltage (rated)	100 to 240 VAC		24 VDC	
Input voltage (range)	85 to 264 VAC		10 to 24 VDC	
Power consumption	27 VA typ.	37 VA typ.	10 W typ.	14.5 W typ.
No. of channels	2	3	2	3
Output voltage (max. rating)	5.5 VDC			
Intensity	Manual: Intensity control on front of unit Remote: Analog input voltage of 0 to 5 V (5.25 V max.)			
ON/OFF control	OFF: 2.5 to 5.0 V (24 V max.), ON: 0.8 to 0 V (pull-down with 4.7 kΩ resistance)			
External control connector	D-sub 15-pin (plug), Optional external control cable: EXCB2-B3 (3 m)			
Weight	640 g	660 g	380 g	
Accessories	AC cord with ground wire (2 m), Instruction Guide x 1		Rubber feet x 4, Instruction Guide x 1	

## Dimensions (mm)

PJ-1505-2CA (PJ-1505-3CA is also the same size.)

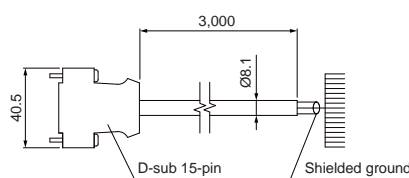
PJ-1505-2CD24 (PJ-1505-3CD24 is also the same size.)



## Options

### External control cable

EXCB2-B3 (3 m)



No.	Line color	No.	Line color
1	Black	9	Gray
2	White	10	Pink
3	Red	11	White/Black
4	Green	12	Red/Black
5	Yellow	13	Green/Black
6	Brown	14	Yellow/Black
7	Blue	15	Brown/Black
8	Purple	NC	(Blue/Black)

Dimensions (mm)

PD3
PD2
STU-3000
PSB
POD
PTU2
PF
CN-4024-2-EIPT
PB-2430-1
CC-ST-1024
BB
PJ2
PJ
CC-PJ-0707
PSCC
PSB4-30024
PSB3-30024
Band-Pass Filters
Lens Filters
Diffusion Plates
Polarizing Plates
Light Control Films
Brackets
Fixtures, etc.
SM/EL Cables