

PD3
PD2
STU-3000
PSB
POD
PTU2
PF
CN-4024-2-EIPT
PB-2430-1
CC-ST-1024
BB
PJ2
PJ
CC-PJ-0707
PSCC
PSB4-30024
PSB3-30024
Band-Pass Filters
Lens Filters
Diffusion Plates
Polarizing Plates
Light Control Films
Brackets
Fixtures, etc.
SM/EL Cables

Strobe function available by assembling with Digital Control Unit PD2 series



Features

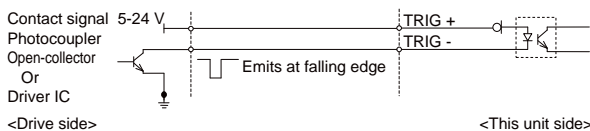
- Enables use of continuous lighting as strobe lighting.
- You can set strobe lighting time from 0.01 to 99.99 msec.
- External trigger signal provides ON/OFF control of power at the specified pulse width and strobe lighting of LED Lights.

Example Connection

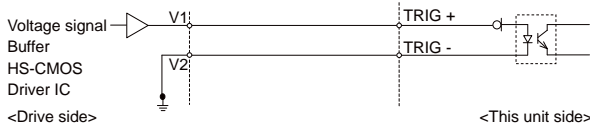
Refer to the "Instruction Guide" for details.

External signal Example connection

(1) Non-voltage contact drive (using the drive-side Control Unit)

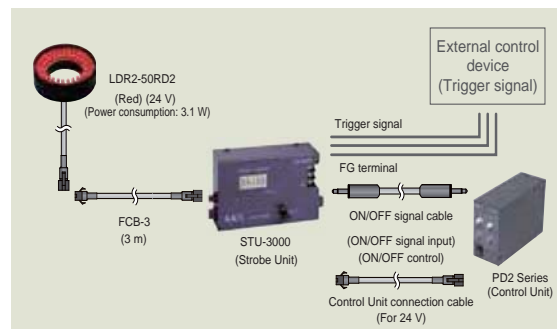


(2) If driven by the high-pulse voltage output signal



Example System Configuration

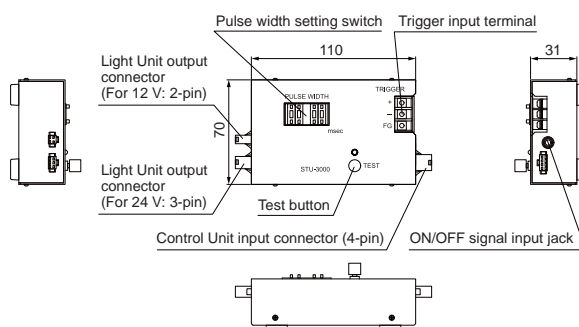
Example:
LED Light — Extension cables — Strobe Unit — Control Unit (PD2 series)
External control device



Specifications

Model name	STU-3000
Input connector	SMP-04V-BC (12 or 24 VDC) M3 terminal block 3P (trigger inputs, FG connection terminals)
Output connector	SMP-02V-BC (12 VDC) SMP-03V-BC (24 VDC) M3 jack (ON/OFF signal)
Trigger	Photocoupler input, 5 to 24 VDC, current 5 mA max. Pulse width of 20 μs or more and rising edge of 10 μs max.
ON/OFF signal	Connected with input jack on the PD2 Control Unit for light ON/OFF signal Center: Signal line, Sleeve: GND
Lighting time	0.01 to 99.99 ms
Lighting delay	10 μs max.
Accessories	ON/OFF signal and Control Unit connection cables
Weight	400 g max.
Connectable Control Units	PD2-1012 / 1024 / 3012 / 3024 / 5012 / 5024 / 3012-2 / 3024-2

Dimensions (mm)



You can inquire using our website.

Sample Testing	Light Unit Selection	Free Product Trial	Custom Orders	Product Details	Pricing/Quotation	Discontinued Products
----------------	----------------------	--------------------	---------------	-----------------	-------------------	-----------------------