

Intensity control to 256-step  
Compatible with a wide  
range of uses



**CE** Compliant model(s)  
 PD2-3012(A) / PD2-3024(A) / PD2-5012(A) / PD2-5024(A) / PD2-3012-2(A) /  
 PD2-3024-2(A) / PD2-3012-4(A) / PD2-3024-4(A) / PD2-3012-8(A) / PD2-3024-8(A)

The supplied AC cord is for use with 100 to 120 VAC.  
 If you want to use the Control Unit with 200 to 240 VAC,  
 you must procure another appropriate AC power cord.

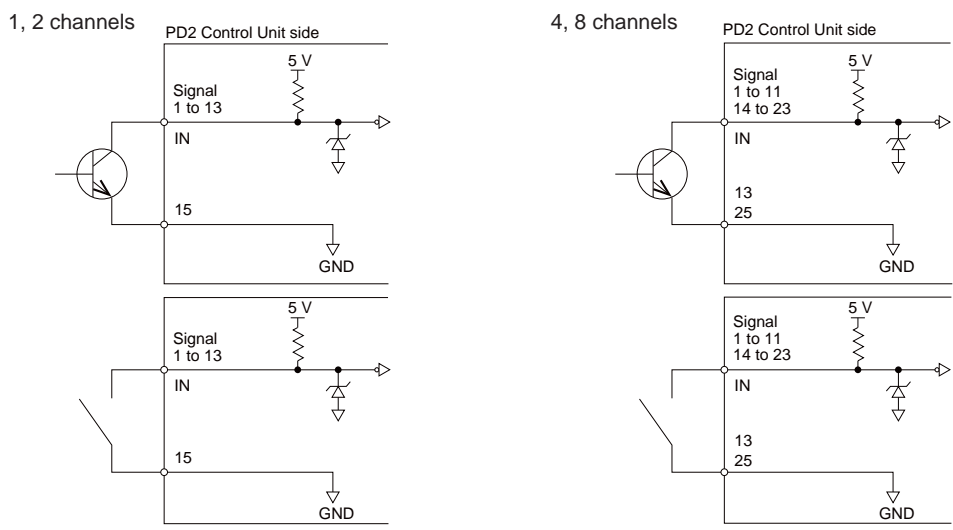
➤ **Features**

- You can select either 12 V or 24 V type according to the input voltage of the LED Light being used.
- You can select from 10 W, 30 W and 50 W types according to the power consumption of the LED Light being used.
- You can select from 2, 4 and 8-channel types if you are using individual intensity settings for multiple Light Units.
- You can select an optional external control cable if you are using external control (refer to P.263).

➤ **Example Connection**

Refer to the "Instruction Guide" for details.

Example connections of  
external control signal



Drive using driver IC or NPN open-collector. Drive is possible if there is a device through which flows an approximately 10 mA current from signal to ground.

Control Units and Controllers

Options

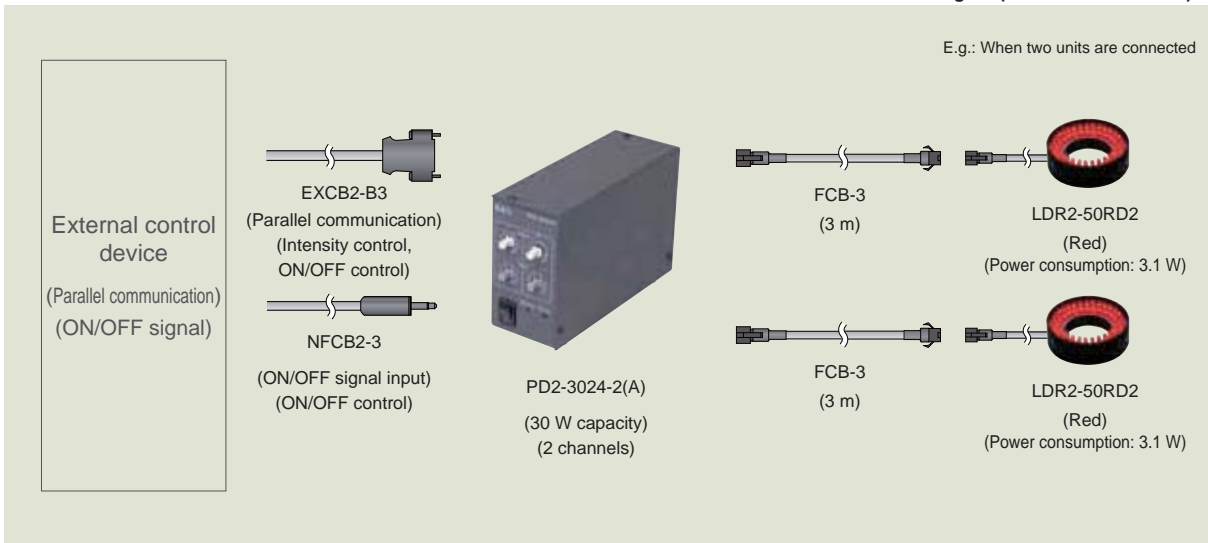
- PD3
- PD2
- STU-3000
- PSB
- POD
- PTU2
- PF
- CN-4024-2-EIPT
- PB-2430-1
- CC-ST-1024
- BB
- PJ2
- PJ
- CC-PJ-0707
- PSCC
- PSB4-30024
- PSB3-30024
- Band-Pass Filters
- Lens Filters
- Diffusion Plates
- Polarizing Plates
- Light Control Films
- Brackets
- Fixtures, etc.
- SM/EL Cables

- PD3
- PD2
- STU-3000
- PSB
- POD
- PTU2
- PF
- CN-4024-2-EIPT
- PB-2430-1
- CC-ST-1024
- BB
- PJ2
- PJ
- CC-PJ-0707
- PSCC
- PSB4-30024
- PSB3-30024
- Band-Pass Filters
- Lens Filters
- Diffusion Plates
- Polarizing Plates
- Light Control Films
- Brackets
- Fixtures, etc.
- SM/EL Cables

## Example System Configuration

Example:

External control device — External control cables — Control Unit — Extension cables — LED Lights (two units connected)



## Specifications

Model name	PD2-1012(A)	PD2-1024(A)	PD2-3012(A)	PD2-3024(A)	PD2-5012(A)	PD2-5024(A)	PD2-3012-2(A)	PD2-3024-2(A)	PD2-3012-4(A)	PD2-3024-4(A)	PD2-3012-8(A)	PD2-3024-8(A)
Input voltage	100 to 120 VAC						100 to 240 VAC					
Input current*1	0.25 A typ.		0.78 A typ.		1.3 A typ.		0.78 A typ.					
Frequency	50/60 Hz											
Inrush current	15 A typ.											
No. of channels	1 channel	1 channel	1 channel	1 channel	1 channel	1 channel	2 channels	2 channels	4 channels	4 channels	8 channels	8 channels
DC output voltage	12 V	24 V	12 V	24 V	12 V	24 V	12 V	24 V	12 V	24 V	12 V	24 V
Output power	9.5 W max.	9.0 W max.	28 W max.	28 W max.	46 W max.	46 W max.	28 W max.	28 W max.	27 W max.	27 W max.	25 W max.	25 W max.
Intensity control	Intensity control method: 62.5 kHz PWM control Manual: 16-step intensity control using coarse and fine rotary switches on the front panel External: Intensity control using 8-bit parallel signal											
External control input	Input circuit: Pull-up of +5.0 V internally by use of resistor (4.7 kΩ)						Input circuit: Pull-up of +5.0 V internally by use of resistor (2.2 kΩ)					
	HS-CMOS input: Low level of max. 1.0 V, high level of 3.5 V or more											
External control connector	D-sub 15-pin (plug)						D-sub 25-pin (plug)					
Lights ON/OFF control	ON/OFF control during manual intensity control: Ø3.5 mm microphone jack ON/OFF control during external intensity control: D-sub 15-pin ON signal (not synchronized with writing sequence)						Manual/External: D-sub 25-pin ON signal (not synchronized with writing sequence)					
Light ON/OFF response time	OFF→ON: 10 μs typ., ON→OFF: 10 μs typ.											
Startup time	0.5 sec typ.											
Output overcurrent protection	Operates at 107% of the output current. Reset by turning the power off and then on again.											
Operating environment	Temperature: 0 to 40°C, Humidity: 20% to 85%RH (with no condensation)											
Storage environment	Temperature: -20 to 60°C, Humidity: 20% to 85%RH (with no condensation)											
Weight	0.7 kg max.		1.1 kg max.		1.3 kg max.		1.1 kg max.		1.2 kg max.		1.5 kg max.	
Accessories	3-prong AC cord with ground terminal*2 (2 m) x 1, Instruction Guide x 1											

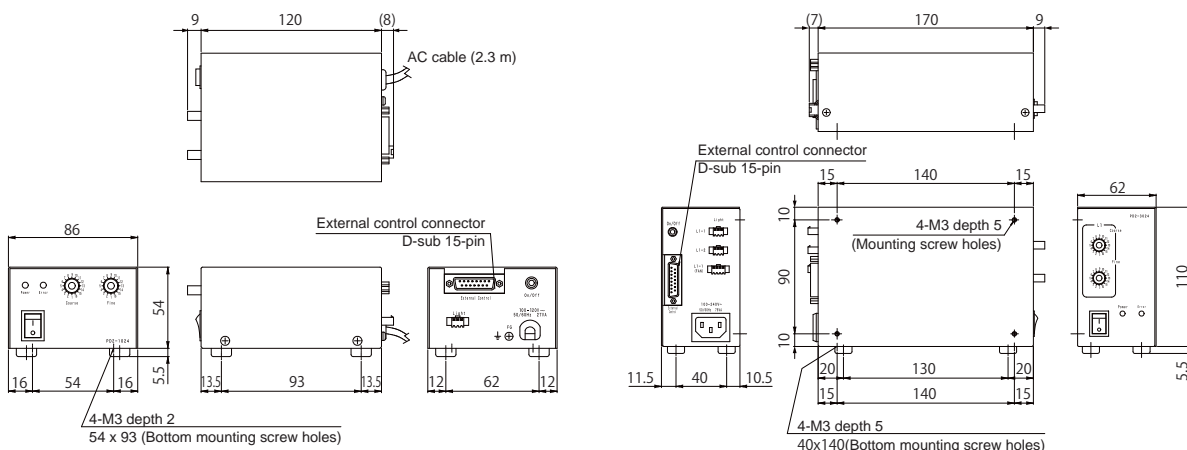
\*1 For 100 VAC

\*2 Except for PD2-1012(A) / 1024(A)

## Dimensions (mm)

PD2-1012(A) / PD2-1024(A)

PD2-3012(A) / PD2-3024(A)



You can inquire using our website.

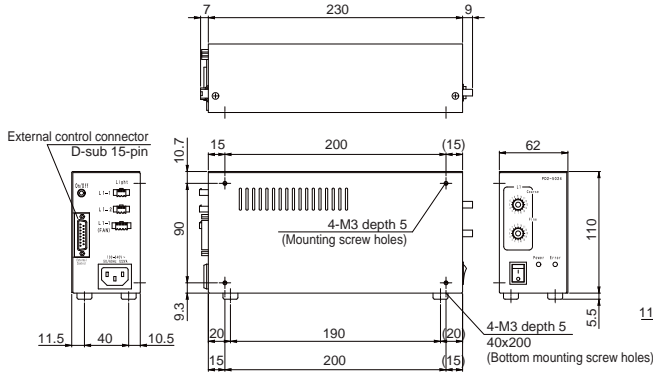
- Sample Testing
- Light Unit Selection
- Free Product Trial
- Custom Orders
- Product Details
- Pricing/Quotation
- Discontinued Products

# PD2 Series

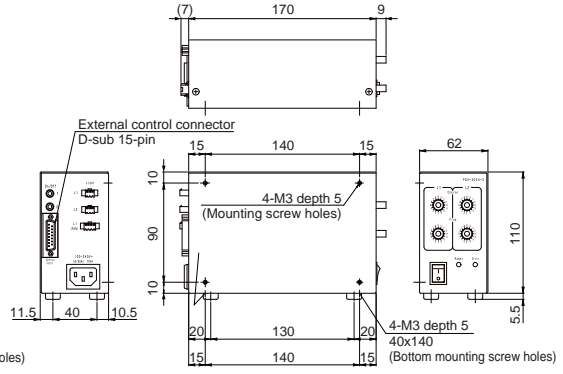


## Dimensions (mm)

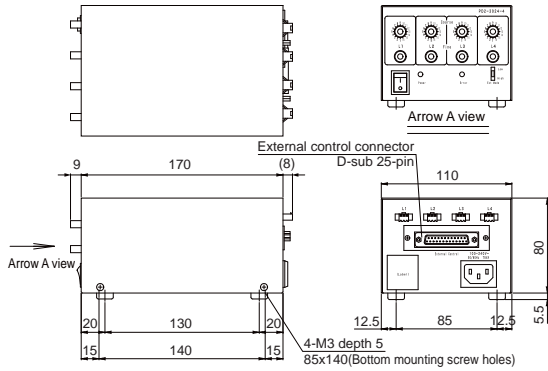
PD2-5012(A) / PD2-5024(A)



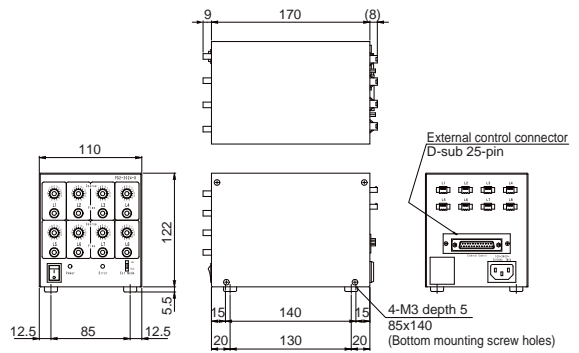
PD2-3012-2(A) / PD2-3024-2(A)



PD2-3012-4(A) / PD2-3024-4(A)



PD2-3012-8(A) / PD2-3024-8(A)

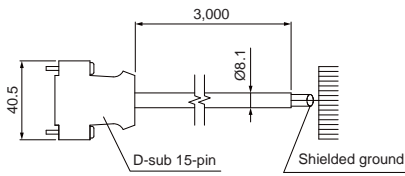


## Options

### External control cable

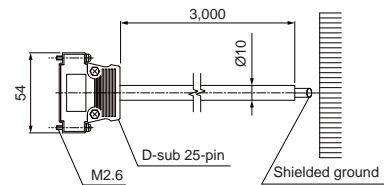
Dimensions (mm)

Corresponding Control Unit: PD2 (1 and 2 channels) series  
EXCB2-B3 (3 m): D-sub 15-pin



No.	Line color	No.	Line color
1	Black	9	Gray
2	White	10	Pink
3	Red	11	White/Black
4	Green	12	Red/Black
5	Yellow	13	Green/Black
6	Brown	14	Yellow/Black
7	Blue	15	Brown/Black
8	Purple	NC	(Blue/Black)

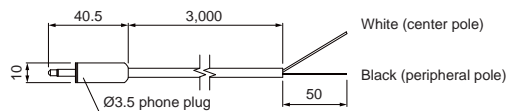
Corresponding Control Unit: PD2 (4 and 8 channels) series  
EXCB2-25-3 (3 m): D-sub 25-pin



No.	Line color	No.	Line color	No.	Line color	No.	Line color
1	Black	9	Gray	17	Purple/Black	25	Brown/White
2	White	10	Pink	18	Grey/Black	NC	(Blue/White)
3	Red	11	White/Black	19	Pink/Black	NC	(Purple/White)
4	Green	12	Red/Black	20	Light green/Black	NC	(Grey/White)
5	Yellow	13	Green/Black	21	Black/White	NC	(Pink/White)
6	Brown	14	Yellow/Black	22	Red/White	NC	(Light green/White)
7	Blue	15	Brown/Black	23	Green/White		
8	Purple	16	Blue/Black	24	Yellow/White		

### External ON/OFF control cable

Corresponding Control Unit: PD2 (1 and 2 channels) series  
NFCB2-3 (3 m)



Line color	Signal
White	ON/OFF
Black	GND (-)