

High-Power Bar Lights/Spot Lights, accompanied with the Dedicated Controller and a 3 m cable



**Applications** Robot guidance, web inspections, package sorting, general packaging, palletizing, etc.

Note: These products are sold only outside Japan.

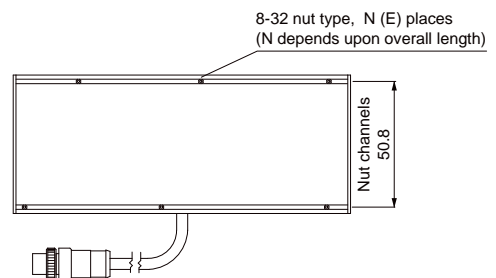
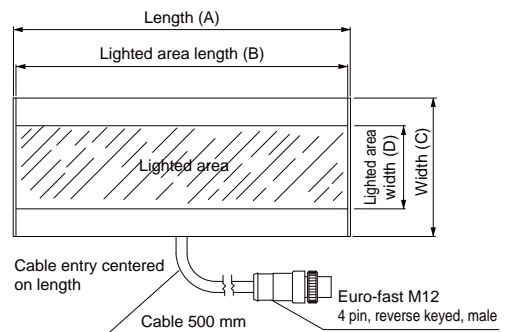
➤ **Features**

- Controller and 3 m cable included
- 24 V input power to controller
- Controller drives continuous and non-overdriven strobe illumination
- Robust aluminum housing with superior heat transfer properties
- Efficient thermal management through heat fin design
- Adjustable mounting M5 nuts via (2) nut channels on back face
- RoHS compliant
- CE certified

➤ **Common Specifications**

LED color	Red, white, blue, green
Peak wavelength	Red: 635 nm, Blue: 470 nm, Green: 530 nm, Infrared: 850 nm
Power consumption	2.8 W max.
Polarity & signal	1: Light ID In, 2: LED +, 3: LED -, 4: Light ID Out
Cooling method	Natural air cooling
Operating temperature and humidity	Temperature: 0 to 40°C, Humidity: 20% to 85%RH (with no condensation)
Storage temperature and humidity	Temperature: -20 to 60°C, Humidity: 20% to 85%RH (with no condensation)

➤ **Dimensions (mm)**



Model name	Power consumption	Weight (g)	Length (mm)		Width (mm)		Height (mm)	Number of nuts(E)	
			(A)	(B)	(C)	(D)			
HBR-045063-RD	24 V / 1.5 W	317	44.5	38	63	38	32	1x2 rows	
HBR-045063-SW/BL/GR/IR									2x2 rows
HBR-165063-RD	24 V / 7.5 W	590	165	159				3x2 rows	
HBR-165063-SW/BL/GR/IR									
HBR-317063-RD	24 V / 15 W	1,179	317	311				5x2 rows	
HBR-317063-SW/BL/GR/IR									
HBR-470063-RD	24 V / 22.5 W	1,406	470	464					
HBR-470063-SW/BL/GR/IR								24 V / 30 W	
HBR-622063-RD	24 V / 34 W	2,495	622	616					
HBR-622063-SW/BL/GR/IR								24 V / 48 W	
HBR-991063-RD	24 V / 53 W	3,856	991	984					
HBR-991063-SW/BL/GR/IR									

## ➤ Dedicated Controller HLC Series



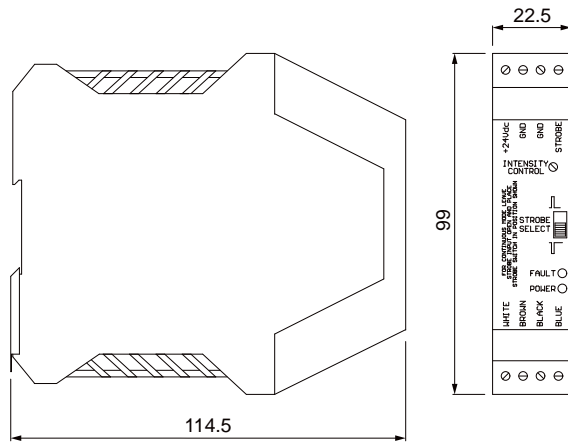
- 24 VDC Input
- Intensity control from 10% to 100% continuous or (non-overdriving) strobe mode operation
- DIN rail mountable
- Protective circuitry to prevent damage to light if connected to wrong controller
- Recessed switches
- Compact

This Control Unit is bundled with the Light Unit on the previous page.

## ➤ Common Specifications

Supply voltage	24 VDC
Intensity	Adjustable from 10% to 100% output on-board or via external 0-10V analog signal
Connections	2 x 4 position screw type blocks
Top	+24 VDC, GND, Strobe, Ext Intensity
Bottom	White, black, brown, blue
Front panel indicators	Power: indicates DC power presence Fault: LED turns on when mismatched with light, no connection, or fault in light
Operating temperature	0°C to 45°C Humidity 0 to 90% (non-condensing)
Storage temperature	-40°C to 100°C Humidity 0 to 90% (non-condensing)
Dimensions	114.5 mm (L) x 22.5 mm (W) x 99 mm (H)
Mounting	DIN Rail (35 mm)
Strobe mode	Trigger response selectable between rising or falling edge of the trigger. Output pulse width follows input pulse width.
Trigger inputs	CMOS / TTL compatible
Minimum pulse width	10 μs
Trigger to pulse delay	200 μs maximum
Rise and fall times	1 μs
Continuous mode	Leave the trigger input open, place trigger switch in falling edge (normally high) position.
Extension cable	3 m, M12, 4-pin, reverse keyed female connector to flying leads

## ➤ Dimensions (mm)



Direct Lighting	LDR2 LDR2-LA LDR-LA1 SQR SQR-TP
Diffused Lighting	HPR2 LFR LKR FPR FPQ2
Direct Lighting	LDL2 LDLB HLDL2 HL
Diffused Lighting	TH2 (5 types) TH LFL HPD2 LDM2 LAV PDM LFX3 LFX3-PT LFV3
Colimated Lighting	MSU MFU
Strobe Lighting	PF
Water-proof Lighting	HLDR-IP/ HSL-PCL
Ultraviolet Lighting	UV2 UV LNSP-UV-FN
Intensity Control Lighting	IR2
Spot Lighting, Etc.	HLV3 HLV2 LV LSP HFS/HFR HLV3-NR HLV3-3M-RGB-4 HLV2-NR HLV2-3M-RGB-3W PFB3 PFB2
Convergent Lighting	LNLP LNSP2 LNSP Coaxial Units LNSP-FN LN/LN-HK
Diffused Lighting	LNSD LND2 HLND LT LNV
Oblique/Angled Lighting	LNDG LNS2 LNS LNS-FN
Lenses	Telecentric Lens Macro Lens