

# CHCPM-15100M

151 MP CMOS CoaXPress Area Scan Camera



GEN*i*CAM

CoaXPress®

## Introduction

CHCPM-15100M camera adopts Sony® IMX411 sensor to provide high-quality image. It uses CoaXPress interface to transmit non-compressed images in real time with max. frame rate reaching 6.2 fps in full resolution.

## Key Feature

- Resolution of 14208 × 10640, and pixel size of 3.76 μm × 3.76 μm
- Adopts rolling shutter CMOS to provide high dynamic range, SNR, and high-quality image
- Adopts CoaXPress interface to transmit data
- Supports Off, Once, Continuous exposure mode, and global reset
- Compatible with CoaXPress Protocol, GeniCam Standard, third-party software based on the protocol and standard

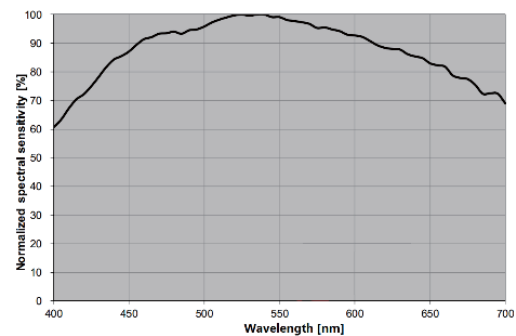
## Available Model

Mono camera: CHCPM-15100M

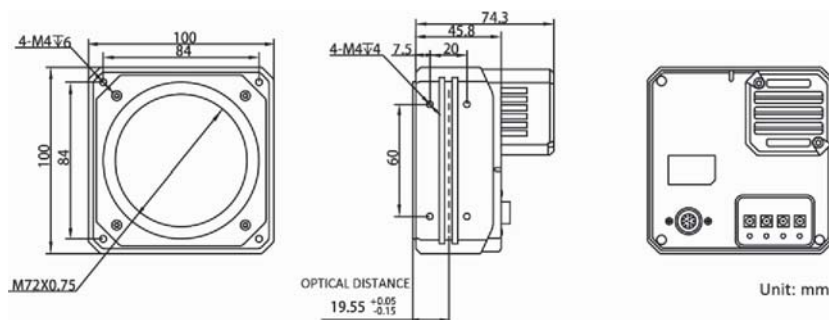
## Applicable Industry

PCB AOI, FPD, high-accuracy measurement, etc.

## Sensor Quantum Efficiency



## Dimension



## Specification

<b>Model</b>	<b>CHCPM-15100M</b>
<b>Camera</b>	
<b>Sensor type</b>	Rolling shutter CMOS
<b>Sensor model</b>	Sony® IMX411
<b>Pixel size</b>	3.76 μm × 3.76 μm
<b>Sensor size</b>	60.33 mm × 47.9 mm
<b>Resolution</b>	14208 × 10640
<b>Max. frame rate</b>	6.2 fps @14208 × 10640
<b>Dynamic range</b>	90 dB
<b>SNR</b>	45 dB
<b>Gain</b>	0 dB to 30 dB
<b>Exposure time</b>	15 μs to 10 s
<b>Shutter mode</b>	Off/Once/Continuous exposure mode, supports global reset
<b>Mono/color</b>	Mono
<b>Pixel format</b>	Mono 8 /10/12
<b>Binning</b>	Not support
<b>Decimation</b>	Not support
<b>Reverse image</b>	Supports horizontal reverse image output
<b>Electrical features</b>	
<b>Data interface</b>	CoaXPress with DIN interface
<b>Digital I/O</b>	12-pin Hirose connector provides I/O, including opto-isolated input x 1 (Line 0), opto-isolated output x 1 (Line 1), bi-directional non-isolated I/O x 1 (Line 2), and RS232 x 1.
<b>Power supply</b>	24 VDC
<b>Power consumption</b>	Approx. 17 W@24 VDC
<b>Structure</b>	
<b>Lens mount</b>	M72-Mount, optical back focal length 19.55 mm (0.8")
<b>Dimension</b>	100 mm × 100 mm × 74.3 mm (3.9" × 3.9" × 2.9")
<b>Weight</b>	Approx. 1 kg (2.2 lb.)
<b>Ingress protection</b>	IP40 (under proper lens installation and wiring)
<b>Temperature</b>	Working temperature: 0 °C to 50 °C (32 °F to 122 °F) Storage temperature: -30 °C to 70 °C (-22 °F to 158 °F)
<b>Humidity</b>	20% to 95% RH, without condensation
<b>General</b>	
<b>Client software</b>	Frame grabber software meeting with CoaXPress Protocol
<b>Operating system</b>	32/64-bit Windows 7/10 with 8 GB memory or above
<b>Compatibility</b>	CoaXPress, GenICam
<b>Certification</b>	CE, FCC