

CHGM-501M

5 MP 2/3" CMOS GigE Area Scan Camera



GEN*i*CAM

GigE
VISION

Introduction

CHGM-501M camera adopts Sony IMX264 CMOS sensor to provide high-quality image. It uses GigE interface to transmit non-compressed images in real time with max. frame rate reaching 23.5 fps.

Key Feature

- Adopts GigE interface and max. transmission distance of 100 meters without relay
- Supports auto and manual adjustment for exposure control, LUT, Gamma correction, etc.
- Up to 128 MB local memory for burst transmission and retransmission
- Compatible with GigE Vision Protocol V1.2, GenICam Standard, and third-party software based on these protocol and standard

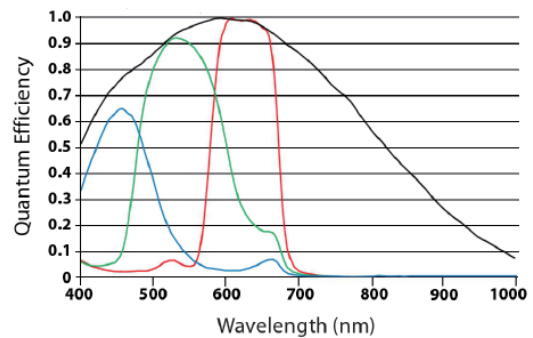
Available Model

Mono camera: CHGM-501M

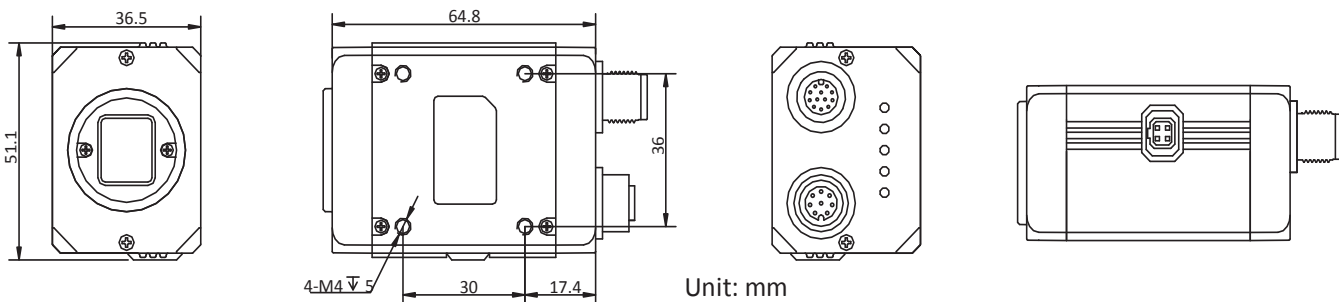
Applicable Industry

Railway related application, etc.

Sensor Quantum Efficiency



Dimension



Specification

| | |
|----------------------------|---|
| Model | CHGM-501M |
| Camera | |
| Sensor type | CMOS, global shutter |
| Sensor model | Sony IMX264 |
| Pixel size | 3.45 μm x 3.45 μm |
| Sensor size | 2/3" |
| Resolution | 2448 x 2048 |
| Max. frame rate | 23.5 fps @2448 x 2048 |
| Dynamic range | 75.4 dB |
| SNR | 40 dB |
| Gain | 0 dB to 20 dB |
| Exposure time | 20 μs to 10 s |
| Shutter mode | Off/Once/Continuous exposure mode |
| Mono/color | Mono |
| Pixel format | Mono 8/10/10p/12/12p, supports JPG output |
| Acquisition mode | Continuous mode and SingleFrame mode |
| Decimation | Supports 1 x 2, 2 x 1, 2 x 2 |
| Reverse image | Supports horizontal and vertical reverse image output |
| Image buffer | 128 MB |
| Electrical features | |
| Data interface | Gigabit Ethernet |
| Digital I/O | 12-pin M12 connector provides power and I/O, including opto-isolated input x 1 (Line0), opto-isolated output x 1(Line1) |
| Power supply | 5 VDC to 15 VDC |
| Power consumption | Approx. 3.3 W@12 VDC |
| Structure | |
| Lens mount | CS-Mount (supports auto iris) |
| Dimension | 51.1 mm x 36.5 mm x 64.8 mm (2.0" x 1.4" x 2.6") |
| Weight | Approx. 163 g (0.36 lb.) |
| Ingress protection | IP54 (under proper lens installation and wiring) |
| Temperature | Working temperature: 0 °C to 50 °C (32 °F to 122 °F) Storage temperature: -30 °C to 70 °C (-22 °F to 158 °F) |
| Humidity | 20% to 95% RH, without condensation |
| General | |
| Client software | MVS or third-party software meeting with GigE Vision Protocol |
| Operation system | 32/64-bit Windows XP/7/10, 32/64-bit Linux and 64-bit MacOS |
| Compatibility | GigE Vision V1.2, GenICam |
| Certifications | CE, FCC, RoHS, KC |