



CAMERA LINK MACHINE VISION CABLES

PART NUMBER : I T C - C - X - X - X - () M

Select Connector Type: End "1"

- MDR Male Straight Exit = 1
- MDR Female Straight Exit = 2
- MDR Male Low Profile R/A Exit **UP** = 3
- MDR Male Low Profile R/A Exit **DWN** = 4
- HDR / SDR Male Straight Exit = 5
- HDR / SDR Male R/A Exit **UP** w/Recessed Screws = 6
- HDR / SDR Male R/A Exit **DOWN** w/Recessed Screws = 7
- MDR Male Ext. Profile R/A Exit **UP** = 8
- MDR Male Ext. Profile R/A Exit **DWN** = 9
- MDR Male Exit **RIGHT** w/Recessed Screws = 10

- MDR Male Exit **LEFT** w/Recessed Screws = 11
- HDR / SDR Female Straight Exit = 12
- MDR Male R/A **UP** 135° Exit **LEFT** = 13
- MDR Male R/A **DWN** 135° Exit **LEFT** = 14
- 14P HDR / SDR PoCL Lite Straight Exit w/Recessed Screws = 15
- MDR Latch Type Straight Exit = 16
- HDR / SDR Male Exit **RIGHT** w/Recessed Screws = 17
- HDR / SDR Male Exit **LEFT** w/Recessed Screws = 18
- HDR / SDR Male R/A **UP** Ext. Profile w/Recessed Screws = 19
- HDR / SDR Male R/A **DWN** Ext. Profile w/Recessed Screws = 20

Cable Type Options:

- HIFLEX BLACK = 1
- HIFLEX PoCL = 2
- 30 AWG = 3
- 30 AWG PoCL = 4
- PoCL Lite = 5

Select Connector Type: End "2"

- MDR Male Straight Exit = 1
- MDR Female Straight Exit = 2
- MDR Male Low Profile R/A Exit **UP** = 3
- MDR Male Low Profile R/A Exit **DWN** = 4
- HDR / SDR Male Straight Exit = 5
- HDR / SDR Male R/A Exit **UP** w/Recessed Screws = 6
- HDR / SDR Male R/A Exit **DOWN** w/Recessed Screws = 7
- MDR Male Ext. Profile R/A Exit **UP** = 8
- MDR Male Ext. Profile R/A Exit **DWN** = 9
- MDR Male Exit **RIGHT** w/Recessed Screws = 10

- MDR Male Exit **LEFT** w/Recessed Screws = 11
- HDR / SDR Female Straight Exit = 12
- MDR Male R/A **UP** 135° Exit **LEFT** = 13
- MDR Male R/A **DWN** 135° Exit **LEFT** = 14
- 14P HDR / SDR PoCL Lite Straight Exit w/Recessed Screws = 15
- MDR Latch Type Straight Exit = 16
- HDR / SDR Male Exit **RIGHT** w/Recessed Screws = 17
- HDR / SDR Male Exit **LEFT** w/Recessed Screws = 18
- HDR / SDR Male R/A **UP** Ext. Profile w/Recessed Screws = 19
- HDR / SDR Male R/A **DWN** Ext. Profile w/Recessed Screws = 20

Option: Length in Meters

Physical:

- Cable Color: Black
- Shell Color: Black
- Shell Construction: Pre-molded in Polyethelene, fully shielded and over-molded in black PVC.
- Cable Construction: Meets Automated Imaging Association Camera Link Standard. Skew-within pair: 35 ps/m max Skew-channel skew per chipset: 50 ps/m max. All cables are Camera Link approved.

REV. C

CONNECTOR TYPE OPTIONS:



MDR Male
Straight Exit



MDR Female
Straight Exit
w/Removable Hardware



MDR Male Low Profile
R/A UP



MDR Male Low Profile
R/A DOWN



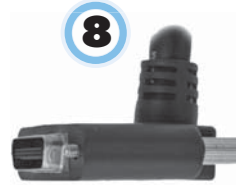
HDR / SDR Male
Straight Exit



HDR / SDR Male R/A
Exit UP
w/Recessed Screws



HDR / SDR Male R/A
Exit DOWN
w/Recessed Screws



MDR Male Ext. Profile
R/A Exit UP



MDR Male Ext. Profile
R/A Exit DOWN



MDR Male
Exit RIGHT
w/Recessed Screws



MDR Male
Exit LEFT
w/Recessed Screws



HDR / SDR Female
Straight Exit



MDR Male R/A UP 135°
Exit LEFT



MDR Male R/A DOWN 135°
Exit LEFT



14P HDR / SDR PoCL Lite
Straight Exit
w/Recessed Screws



MDR Latch Type
Straight Exit
Diecast



HDR / SDR Male
Exit RIGHT
w/Recessed Screws



HDR / SDR Male
Exit LEFT
w/Recessed Screws



HDR / SDR Male R/A UP
Ext. Profile
w/Recessed Screws



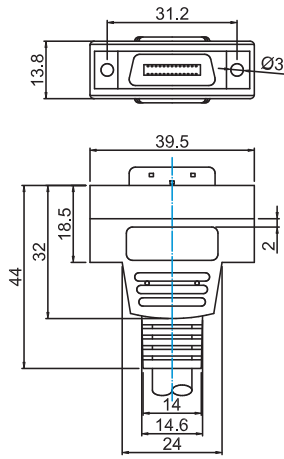
HDR / SDR Male R/A DOWN
Ext. Profile
w/Recessed Screws

* Connector #12 & 16 are ONLY compatible with cable types 3 & 4.

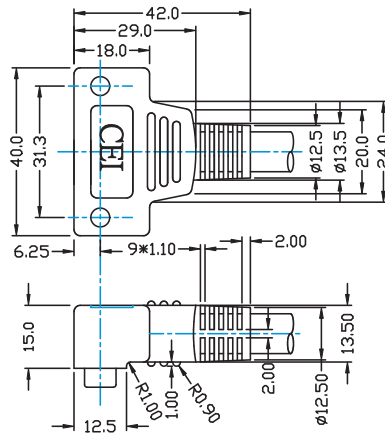
** Cable type 5 is ONLY compatible with connector #15.

See pages 4 – 5 for profile drawings.

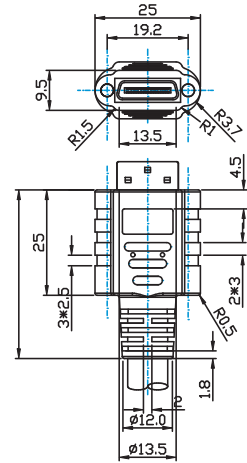
REV. C



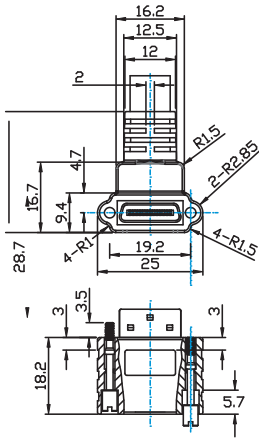
PROFILES 1 & 2



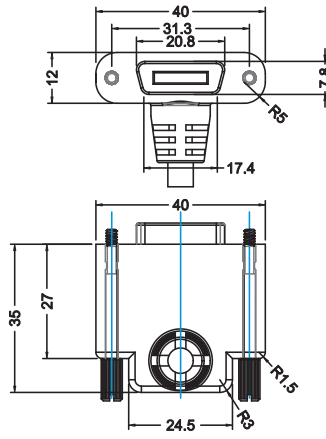
PROFILES 3 & 4



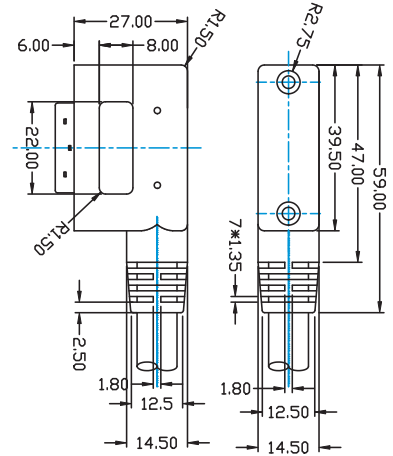
PROFILE 5



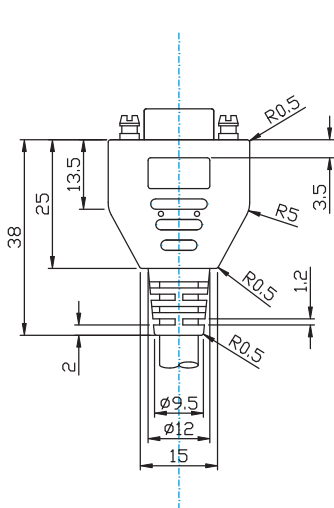
PROFILES 6 & 7



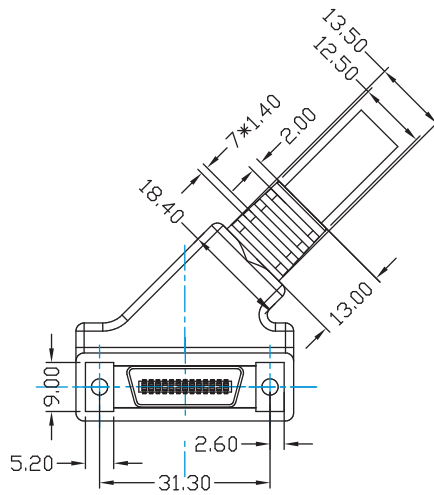
PROFILES 8 & 9



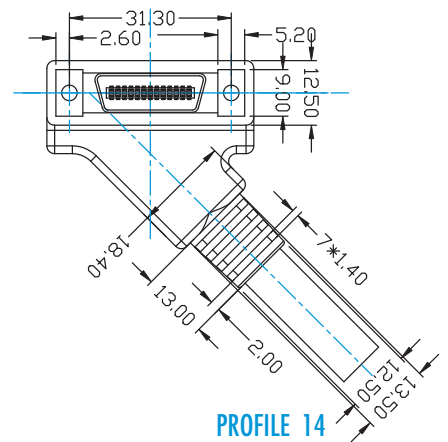
PROFILES 10 & 11



PROFILE 12



PROFILE 13



PROFILE 14

REV. C

