

# GIGABIT ETHERNET CABLES FOR USE IN GigE VISION™ APPLICATIONS

PART NUMBER : I T C - G - **X** ■ **X** ■ **X** ■ **X** ■ ( ) M

## Select Profile Type:

- \*Standard Dimension Type: 99 = V
- \*Extended Dimension Type: 116 = A

## Select Connector Type: End "1"

- |   |  |
|---|--|
| RJ45 Straight = 1                                   | Horizontal R/A Up w/Thumbscrews = 7                      |
| RJ45 Vertical w/Thumbscrews = 2                     | Horizontal R/A Down w/Thumbscrews = 8                    |
| RJ45 Horizontal w/Thumbscrews = 3                   | RJ45 Vertical <b>RIGHT</b> Exit w/Thumbscrews = 9        |
| RJ45 Straight Industrial IP67 = 4                   | RJ45 Vertical <b>LEFT</b> Exit w/Thumbscrews = 10        |
| RJ45 R/A <b>DOWN</b> w/Clip = 5                     | RJ45 Horizontal <b>RIGHT</b> Exit w/Recessed Screws = 11 |
| RJ45 Vertical R/A <b>DOWN</b> w/Recessed Screws = 6 | RJ45 Horizontal <b>LEFT</b> Exit w/Recessed Screws = 12  |
|   | M12 X-Coded 10Gig = 13                                   |

## Cable Type Options:

- |  |                              |
|--|------------------------------|
| SSTP (CAT 6) = 1 *                       | C-Track Cable (CAT 5e) = 4 * |
| Industrial HIFLEX TIC-TOC (CAT 5e) = 2 * | Robotic (CAT 5e) = 5 *       |
| Extended Distance (CAT 6) = 3            | 10Gig (CAT 6a) = 6 *         |

## Select Connector Type: End "2"

- |   |  |
|---|--|
| RJ45 Straight = 1                                   | Horizontal R/A Up w/Thumbscrews = 7                      |
| RJ45 Vertical w/Thumbscrews = 2                     | Horizontal R/A Down w/Thumbscrews = 8                    |
| RJ45 Horizontal w/Thumbscrews = 3                   | RJ45 Vertical <b>RIGHT</b> Exit w/Thumbscrews = 9        |
| RJ45 Straight Industrial IP67 = 4                   | RJ45 Vertical <b>LEFT</b> Exit w/Thumbscrews = 10        |
| RJ45 R/A <b>DOWN</b> w/Clip = 5                     | RJ45 Horizontal <b>RIGHT</b> Exit w/Recessed Screws = 11 |
| RJ45 Vertical R/A <b>DOWN</b> w/Recessed Screws = 6 | RJ45 Horizontal <b>LEFT</b> Exit w/Recessed Screws = 12  |
|   | M12 X-Coded 10Gig = 13                                   |

## Option: Length in Meters

- \* Cable types 1, 2, 4, 5 & 6 are ONLY suitable up to 60 meters.
- \* Cable type 6 is ONLY suitable with configurations that include connector #13.
- \* For configurations using connector type: 6, 11, 12, with cable type 2, 4, 5 the rated speed is Cat-5. The rated speed with cable type 1 & 3 is Cat-5e.
- \* Connector type #13 is not suitable for connectors 6, 11, 12.

REV. C

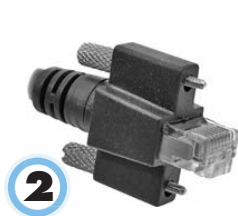
### Physical:

- |                     |  |
|---------------------|--|
| Cable Color:        | Black  |
| Shell Color:        | Black  |
| Shell Construction: | Pre-molded in Polyethylene, fully shielded and over-molded in black PVC. |
| Cable Construction: | Meets EIA/TIA standards, category performance certified.                 |

## CONNECTOR TYPE OPTIONS:



**1**  
RJ45 Straight



**2**  
RJ45 Vertical  
w/Thumbscrews



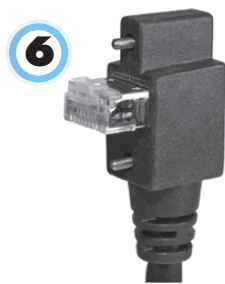
**3**  
RJ45 Horizontal  
w/Thumbscrews



**4**  
RJ45 Straight  
Industrial IP67



**5**  
RJ45  
R/A DOWN w/Clip



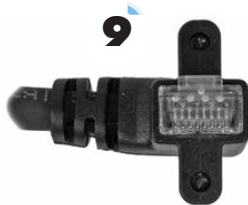
**6**  
RJ45 Vertical  
R/A DOWN  
w/Recessed Screws



**7**  
Horizontal R/A UP  
w/Thumbscrews



**8**  
Horizontal R/A DOWN  
w/Thumbscrews



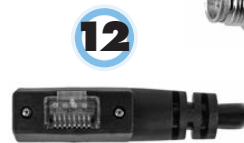
**9**  
RJ45 Vertical  
RIGHT Exit  
w/Thumbscrews



**10**  
RJ45 Vertical  
LEFT Exit  
w/Thumbscrews



**11**  
RJ45 Horizontal  
RIGHT Exit  
w/Recessed Screws



**12**  
RJ45 Horizontal  
LEFT Exit  
w/Recessed Screws

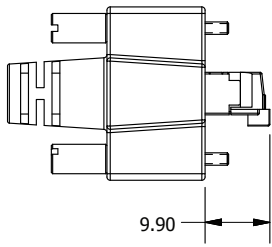


**13**  
M12 X-Coded  
10Gig

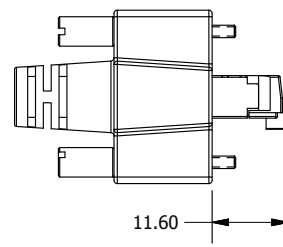
See page 8 & 9 for profile drawings.

REV. C

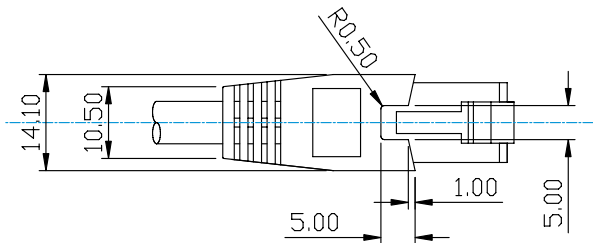
**TYPE 99**



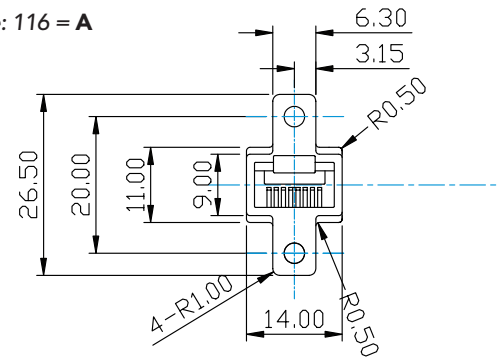
**TYPE 116**



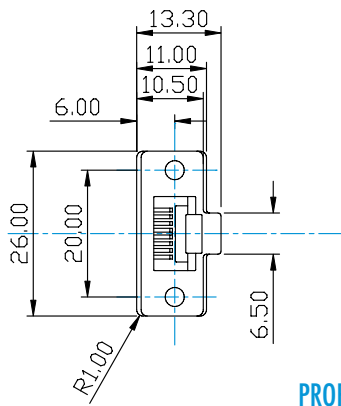
Standard Dimension Type: 99 = **V**  
 Extended Dimension Type: 116 = **A**



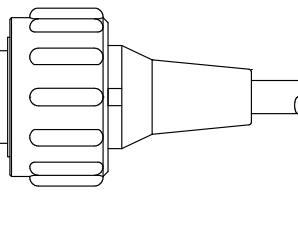
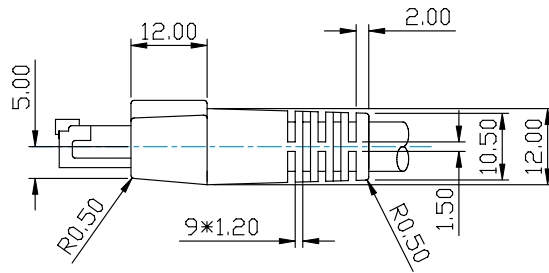
**PROFILE 1**



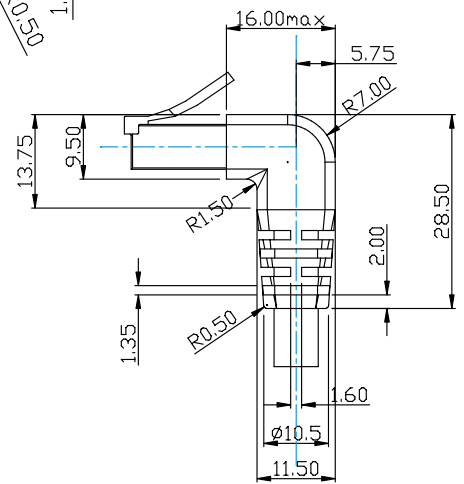
**PROFILE 2**



**PROFILE 3**

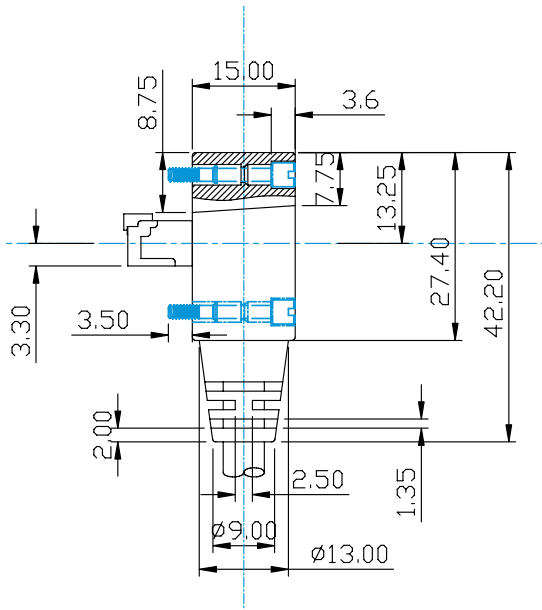


**PROFILE 4**

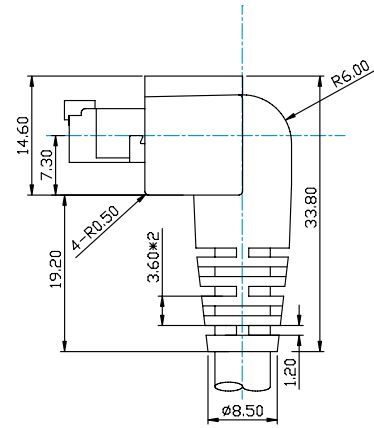


**PROFILE 5**

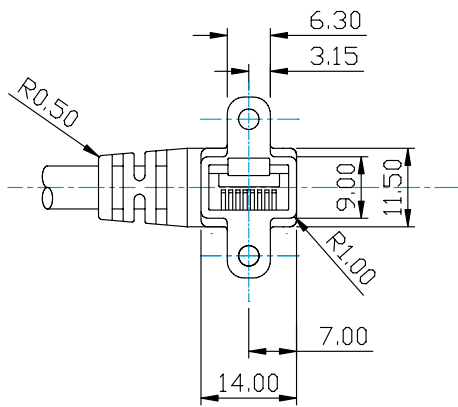
REV. C



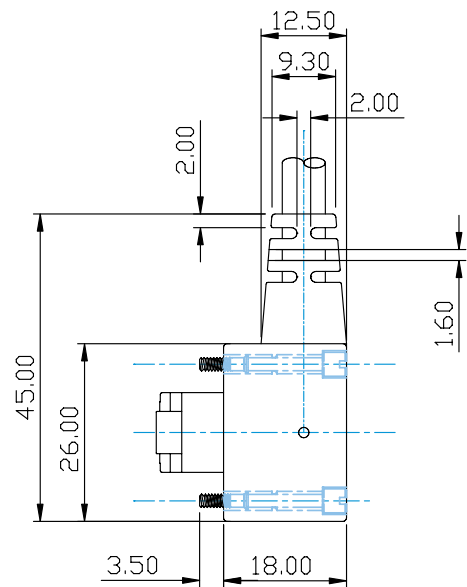
PROFILE 6



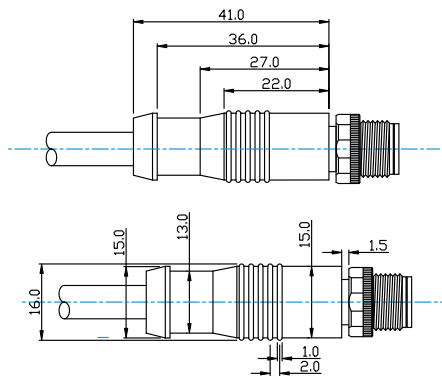
PROFILE 7 & 8



PROFILE 9 & 10



PROFILE 11 & 12



PROFILE 13

REV. C