

Alignment System Guide

YAG Laser Welding Automatic Alignment System TOSA/ROSA/BOSA Assembling System

Application Systems

Optics & Optical Coatings

Opto-Mechanics

Bases

Manual Stages

Actuators & Adjusters

MotORIZED Stages

Light Sources & Laser Safety

Index

Microscope Unit

Alignment

Interferometers

Inspection/Observation

Bio-photonics

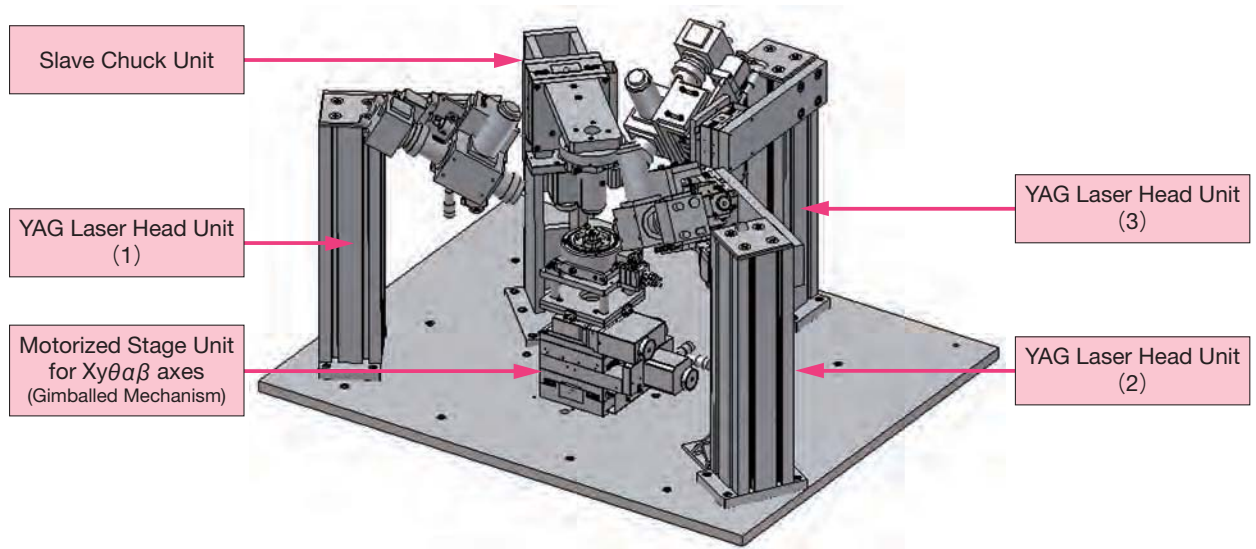
Laser Processing



DAS-01AA

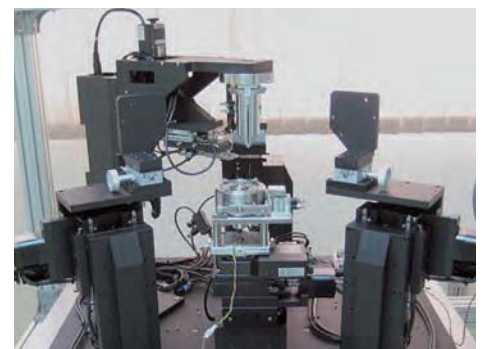
- Assembling (alignment) system for active devices.
- A system equipment that was pursued reliability and cost performance.
- The structure of the device holders offers high repeatability and easy installation and removal of devices.
- Compatible with many devices by replacing the device holders.
- Each device holder comes in two types. (Other holders will be quoted separately.)
- You can make alignment algorithms most efficient for each device by yourself.
- Significantly reduced the time required for device assembly with the adoption of a Gimballed fitting mechanism.
- Operation switches are available for remote control of various equipment.
- There is also the ultra-high speed alignment version which utilizes a special optical system. Please contact our International Sales Division for more detail.

System Configuration Example



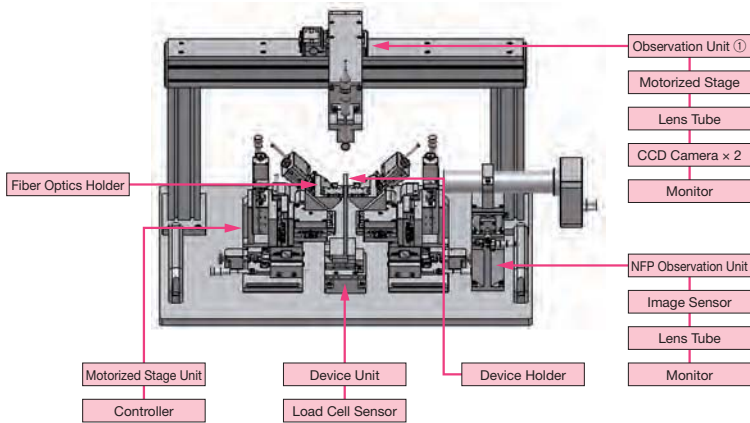
Configuration Example

Product Name	
Motorized Stage Unit	Multi Controller
YAG Laser Head Unit (1)	Driver Box
YAG Laser Head Unit (2)	Base + Frame
YAG Laser Head Unit (3)	Cable set
Slave Chuck Unit	



Automated 12-axis Optical Fiber Alignment System Configuration Guide

Waveguide (AWG/PLC) Alignment System

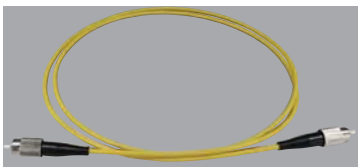


- Assembling (alignment) system for passive devices.
- A system equipment that was pursued reliability and cost performance.
- A 6-axis unit is placed respectively on the entrance and exit sides of the waveguide device to perform automated optical fiber alignment, assessment and assembly of various devices.
- The center device holder station has a contact sensor allowing control of gaps between devices and thickness of UV curing resin.
- Capable of single-fiber array or single-fiber through hole alignment.
- The positioning magnet type fixing system of the device holders offers excellent repeatability and easy installation and removal of devices. Also, having a presetting system, these holders can reduce assembly cycle time.

■ Configuration Example

Product Name	
Motorized Stage Unit	Multi Controller
Observation Unit ①	Driver Box
NFP Observation Unit	Base + Frame
Device Holder	Stage Cable
Device Unit	GP-IB Cable
Fiber Holder	

Optical Fiber Cables

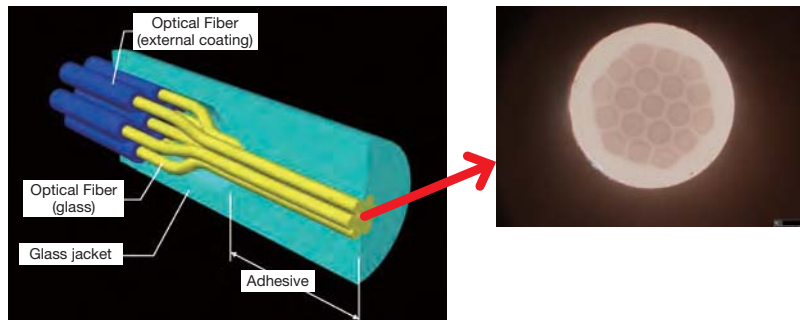


Fiber optic patch cord

- Fiber optic patch cords with PC connector for communication or optical experiments are available.
- You can choose fiber cable in wavelength range from 400 nm to 1620 nm.
- Not only PC fiber connectors but also APC fiber connectors are available.
- These optical fiber cables are sold from 1 piece.
- Also, adaptors and maintenance instruments for optical fiber cables are available.
- Custom connector cables and optical fiber collimator for high power are available.
- Please contact our International sales division for other various custom optical fiber cables.



Fiber connector cleaner



A custom case: fused fiber bundles

Application Systems

Optics & Optical Coatings

Opto-Mechanics

Bases

Manual Stages

Actuators & Adjusters

MotORIZED Stages

Light Sources & Laser Safety

Index

Microscope Unit

Alignment

Interferometers

Inspection/Observation

Bio-photonics

Laser Processing