

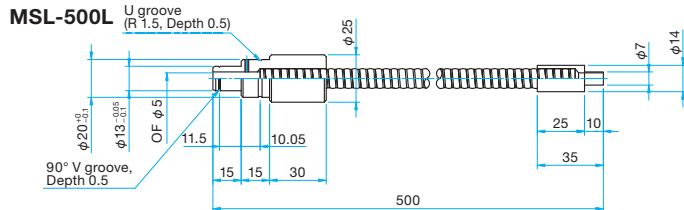
Available for LED light sources, tungsten halogen fiber illumination systems and metal halide fiber illumination systems. Light guides are made of bundled glass fibers and assembled in various output shapes. Designed to provide noiseless and heatless high intensity illumination.

- Flexible semi-rigid light guides (gooseneck).

Straight light guides (Semi-rigid flexible) | MSL



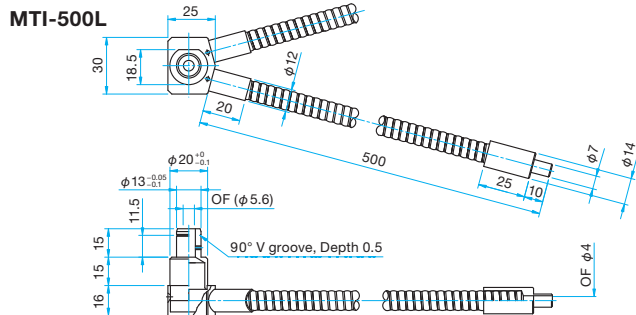
Outline Drawing (Units: mm)



Twin light guides (Semi-rigid flexible) | MTI



Outline Drawing (Units: mm)



Straight light guides (SUS flexible) | MSL-S

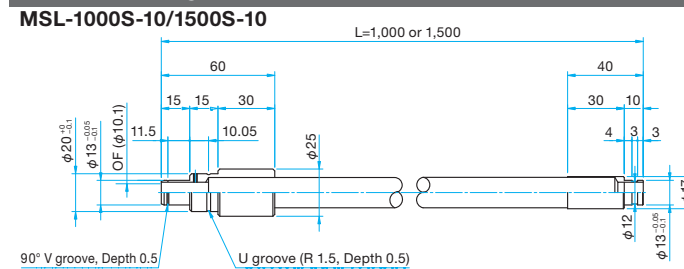
- MSL-1000S-10 and MSL-1500S are intended for use with metal halide fiber illumination systems only. These light guides have a bundle diameter of φ10mm, which enables more efficient transmission with lower loss compared to other guides.



Guide

- ▶ Select the type with bundle diameter of φ10mm to increase the intensity of light transmitting from tungsten halogen fiber illumination systems.

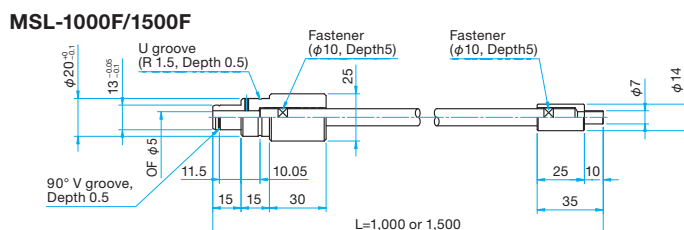
Outline Drawing (Units: mm)



Straight light guides (Flexible) | MSL-F



Outline Drawing (Units: mm)



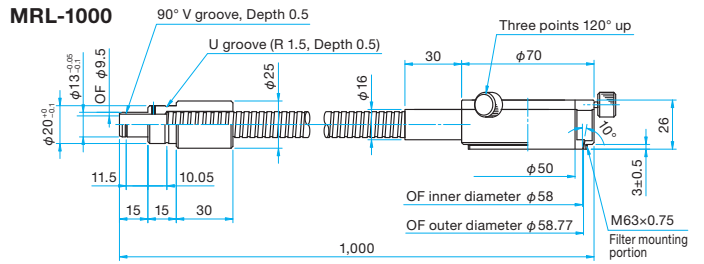
Light Guides | MSL / MTI / MRL / MM80

Ring light guides (SUS flexible) | MRL



Outline Drawing

(Units: mm)

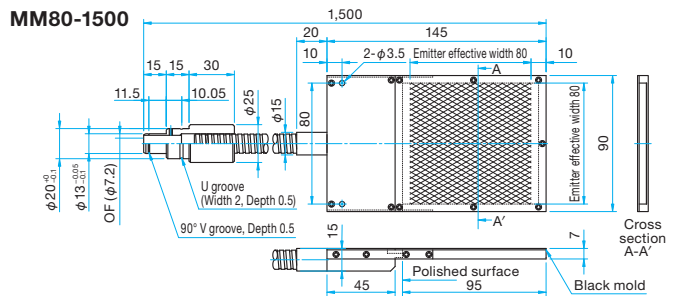


Surface emitting light guides (SUS flexible) | MM80



Outline Drawing

(Units: mm)



Specifications

Part Number	Type	External Coating	Fiber Diameter [μm]	Length [mm]	Bundle Diameter (φ) [mm]	Numerical Aperture [NA]
MSL-500L	Straight	Semi-rigid flexible	50	500	5	0.57 (70°)
MTI-500L	Twin	Semi-rigid flexible	50	500×2	5.6	0.57 (70°)
MSL-1000S-10	Straight flexible	SUS flexible	50	1,000	10	0.57 (70°)
MSL-1500S-10		SUS flexible	50	1,500	10	0.57 (70°)
MSL-1000F		Tube	50	1,000	5	0.57 (70°)
MSL-1500F		Tube	50	1,500	5	0.57 (70°)
MRL-1000	Ring	SUS flexible	30	980	9.5	0.57 (70°)
MM80-1500	Surface emitting	SUS flexible	50	1,500	7.2	Surface emitting light

Guide

► If holders are necessary, contact our Sales Division. Improvised holders can be made using standard catalog products.



Application Systems
Optics & Optical Coatings
Opto-Mechanics
Bases
Manual Stages
Actuators & Adjusters
Motorized Stages

Light Sources & Laser Safety

Index

Guide

Lasers

Detectors

Laser Safety Equipments

Light Sources