

LED Light Source Device | SLA-100A



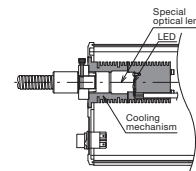
LED light source using high-intensity white light offers approximately 100W halogen illumination.

- Passive cooling design offers low-noise and environmentally friendly.
- High reliability and easy control.
- Long-term life, approximately 15 to 30 times longer than halogen light source.
- Significantly reduce maintenance work (not required lamp changes at a regular frequency).

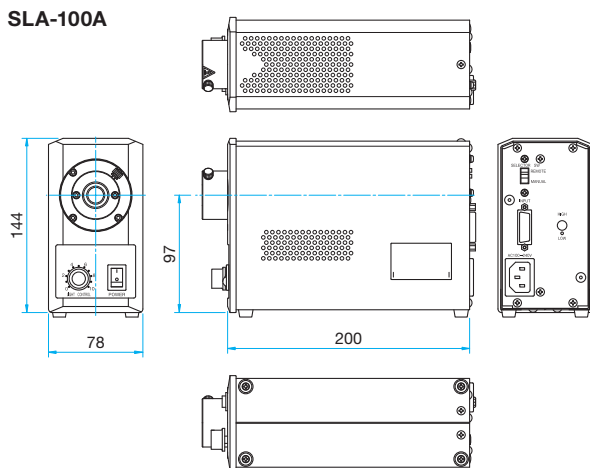


Guide

- ▶ Optional adapters available and compatible with other light guides (Note that some light guides are incompatible).
- ▶ Light guides sold separately.
- ▶ Unique optical and passive cooling design (fanless).
- ▶ Low heat and power consumption (20W).
- ▶ Power consumption reduced by 67-89% compared to halogen light source.
- ▶ Optional color filters can be mounted in the light guide. Contact our International Sales Division for more information.



Outline Drawing (Units: mm)



Specifications

Part Number	SLA-100A		
Luminescence Color	White light		
Color Temperature (typ.)	5600K ^{*1}		
Rated Input Voltage	AC100V – 240V±10%		
Power Consumption	20W		
Input Frequency	50/60Hz		
Function and Dimming	(1) LED light ON/OFF function (2) Continuous dimming by manual full dimming volume (3) Remote: Analog input voltage DC0V – +5V * 8bit digital dimming is optional (contact us separately)		
Cooling Method	Natural cooling		
Environment Conditions	Ambient temperature: 0°C – +40°C Ambient humidity: 20% – 80%RH (without condensation) Indoor use altitude: Up to 2,000m		
Average Luminance ^{*2}	φ5mm	φ8mm	
	(W.D.=100mm)	17,900lx	40,000lx
	(W.D.=50mm)	68,000lx	130,000lx
	(W.D.=15mm)	510,000lx	700,000lx
LED Life	30,000H ^{*3}		
External Dimensions [mm]	(W)78×(H)144×(D)200 (excluding protrusions)		
Weight [kg]	2.0 (excluding the power cord)		

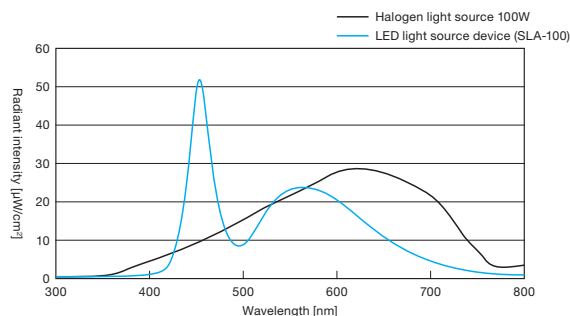
Option ■ Light Guide Adapter Compatibility SLA-ADP

Part Number	Compatible Light Guide	Specifications
SLA-ADP-SU*		φ13mm L=15mm
SLA-ADP-MO		φ15mm L=37mm
SLA-ADP-HO		φ15mm L=31mm
SLA-ADP-HA		φ15mm L=20mm

* SLA-100A comes with SLA-ADP-SU as standard.
Note) Some light guides are incompatible with compatibility adapters.

^{*1} Color temperature: Reference value
^{*2} Illuminance: Reference values measured at each working distance (W.D.) from the edge of light guide (straight type, length=500mm)
^{*3} Life: Varies depending on the usage environment temperature. Not a guaranteed value.

Spectral intensity comparison



Application Systems

Optics & Optical Coatings

Opto-Mechanics

Bases

Manual Stages

Actuators & Adjusters

MotORIZED Stages

Light Sources & Laser Safety

Index

Guide

Lasers

Detectors

Laser Safety Equipments

Light Sources