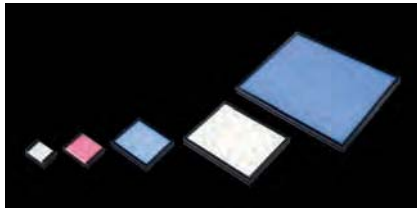


Flat Illumination Coaxial Illumination

SLFI
SLCI



SLFI



Designed to irradiate high-power diffused light from a flat light-emitting surface.

- Surface of the diffusion plate by mat processing can eliminate glare.
- Frame structure and tapped holes provide highly flexible mounting.
- Light control films and fixing brackets are available (Optional).

Guide

- ▶ SLFI-27 series (light emitting surface 27×27) and SLFI-51 series (light emitting surface 51×51) are available. Red, white and blue emitting colors are available.
- ▶ Light control films and fixing brackets for SLFI-27, 43 and 51 are available. Contact our Sales Division for more information.

Common Specifications

Input Voltage	DC24V
Cable Length	0.3m
Input Connector	SMR-03V-B × 1Piece
Polarity & Signal	1: Anode (+) Brown / 2: No Connection / 3: Cathode (-) Blue
Housing Material	Diffusion plate: Acrylic resin, Base/Side panels: Aluminum alloy
Cooling Method	Natural air cooling
Operating Temperature and Humidity	Temperature: 0 to 40°C, Humidity: 20 to 85%RH (No condensation)
Storage Temperature and Humidity	Temperature: -20 to 60°C, Humidity: 20 to 85%RH (No condensation)
Accessories	Instruction Guide

Flat Illumination

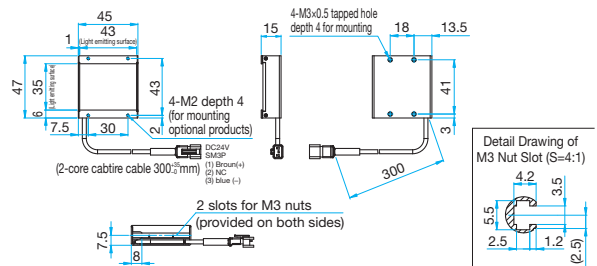
Part Number	Luminescence Color	Light Emitting Surface Size [mm]	Power Consumption
SLFI-43X35RD	Red ●	43×35	24V/3.8W
SLFI-43X35SW	White ○	43×35	24V/3.0W
SLFI-43X35BL	Blue ●	43×35	24V/3.0W

Attention

- ▶ Useful power supplies: SPS-3024, SPS-3024-3-PI and SPSB-3024VB.

Outline Drawing

(Units: mm)



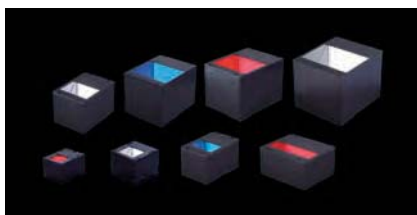
Light Control Films

Part Number	Compatible Products
LC-SLFI-43X35-HO	For SLFI-43×35, Horizontal louver
LC-SLFI-43X35-VE	For SLFI-43×35, Vertical louver

Fixing Brackets

Part Number	Note
BK-SLFI-LE12	4 L-shaped fixing brackets

SLCI



For uniform irradiation, designed to irradiate diffused light coaxially with respect to the camera axis.

- Provide high-quality images by using optical glasses of the surface accuracy of 0.3μm for half mirror and camera window.
- Large camera window increase the field of view.
- Polarization plates and light control films are available(Optional).

Guide

- ▶ SLCI-CP-13 series (light emitting surface 15×15), SLCI-CP-18 series (light emitting surface 20×20) and SLCI-50 series (light emitting surface 52×52) are available.
- ▶ SLCI-50 series (light emitting surface 52×52) is available. Red, white and blue emitting colors are available.
- ▶ Light control films and polarization plates for SLCI-13, 18 and 50 series products are available. Contact our Sales Division for more information.

Attention

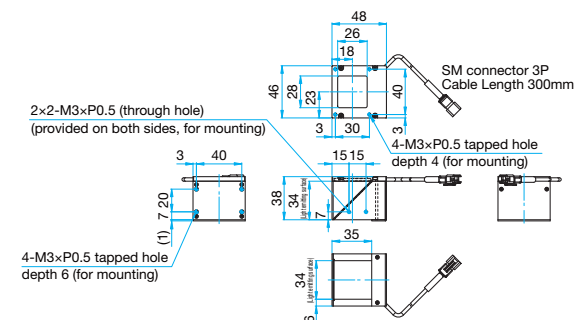
- ▶ Useful power supplies: SPS-3024, SPS-3024-3-PI and SPSB-3024VB.

Common Specifications

Input Voltage	DC24V
Cable Length	0.3m
Input Connector	SMR-03V-B × 1Piece
Polarity & Signal	1: Anode (+) Brown / 2: No Connection / 3: Cathode (-) Blue
Cooling Method	Natural air cooling
Operating Temperature and Humidity	Temperature: 0 to 40°C, Humidity: 20 to 85%RH (No condensation)
Storage Temperature and Humidity	Temperature: -20 to 60°C, Humidity: 20 to 85%RH (No condensation)
Accessories	Instruction Guide

Outline Drawing

(Units: mm)



Coaxial Illumination

Part Number	Luminescence Color	Light Emitting Surface Size [mm]	Power Consumption
SLCI-34RD	Red ●	34×34	24V/3.7W
SLCI-34SW	White ○	34×34	24V/3.2W
SLCI-34BL	Blue ●	34×34	24V/3.2W