

Laser Diode (Visible) He-Ne Lasers

LDU33
05-LHP

LDU33

RoHS

Low ripple and noise laser diode module and power supply.

Aspheric lens premounted and suitable for either a collimated beam or adjustable focus beam, and compact for adequate OEM.



- Easy adjustment of collimated beam size by using helicoid focusing ring.
- High quality APC power supply allows quick start and stable output.
- User friendly and easy to mount on adjustable holders.

Common Specifications

Beam Divergence	<1mrad
Output Stability	<3%
Temperature Control	None
Laser Classes	3R
Input Voltage	100VAC
Head Weight [kg]	about 0.15
Weight of Power Supply [kg]	about 0.3

Guide

- ▶ For custom wavelengths, outputs and modulation, contact our Sales Division for more information.
- ▶ Can be mounted with the laser mount (MHG-20LDU) for the kinematic mirror holder.

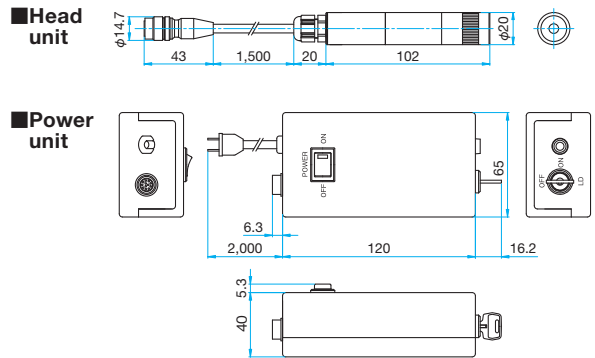
Attention

- ▶ Power supply voltage for the 405nm model is 9V.

Part Number	Wavelength [nm]	CW Output [mW]	Beam Diameter [mm]	Drive Voltage [V]
LDU33-405-3.5	405	3.5	about 2x1	9
LDU33-635-4.5	635	4.5	about 5x2	5
LDU33-670-4.5	670	4.5	about 5x2	5
LDU33-785-4.5	785	4.5	about 5x2	5

Outline Drawing

(Units: mm)



05-LHP



Standard He-Ne laser, designed in aluminum housing, consists of a laser head with oscillation wavelength of 632.8nm, a laser tube, ballast resistor and electrical wiring.

- 1.8 meter length cable connected.
- Compliance with the provisions of CDRH (U.S. Safety Standard).

Guide

- ▶ Mounted on Cylindrical Laser Mounts (LAH) and Adjustable Laser Holders (LAHU-A) .
- ▶ A general service life is one year or 10,000 hours.
- ▶ Contact our Sales Division for random polarization.

Attention

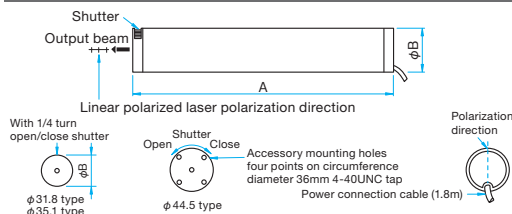
- ▶ As imported products, prices and lead times are subject to change.

Common Specifications

Beam Quality	M ² : <1.05	
Wavelength	632.8nm	
Transverse Mode	TEM ₀₀	
Centrality of Beam	Angular error	<1mrad
	Position	±0.25mm
Long Term Drift	±2.5% (at 8 hours)	
Noise (RMS)	<0.5%	
Noise Frequency	30Hz - 10MHz	
Power Voltage	100VAC, 115VAC, or 230VAC±10%	
Input Frequency	50 - 60Hz	
Shock	25G/11msec	
Operation Temperature Range	-20°C - +40°C	
Storage Temperature Range	-40°C - +80°C	
Operation Humidity	0% - 90% (without condensation)	
Storage Humidity	0% - 100%	

Outline Drawing

(Units: mm)



Linear Polarized Beam Part Number	A [mm]	φB [mm]
05-LHP-213	177.8	φ31.8
05-LHP-211	177.8	φ31.8
05-LHP-111	271.8	φ44.5
05-LHP-121	271.8	φ44.5
05-LHP-151	396.2	φ44.5
05-LHP-171	455.9	φ44.5
05-LHP-991	483.9	φ44.5
05-LHP-925	637.3	φ44.5

Linear Polarized Beam (Extinction Ratio>500:1)

Part Number	CW Output Power TEM ₀₀ [mW]	Beam Diameter 1/e ² [mm]	Beam Divergence [mrad]	Vertical Mode Spacing C/2L [MHz]	Operation Current [mA]	Operation Voltage [V±100]	IEC Class	Power Supply	Weight [kg]
05-LHP-213	0.5	0.46	1.77	1063	4	1,320	2	05-LPL-900-040	0.2
05-LHP-211	0.84	0.46	1.77	1063	4	1,320	3R	05-LPL-900-040	0.2
05-LHP-111	1	0.59	1.35	687	6.5	1,790	3R	05-LPL-911-065	0.4
05-LHP-121	2	0.59	1.35	687	6.5	1,790	3R	05-LPL-911-065	0.4
05-LHP-151	5	0.8	1	438	6.5	2,290	3B	05-LPL-902-065	0.6
05-LHP-171	7	1.02	0.79	373	7	2,650	3B	05-LPL-951-070	0.68
05-LHP-991	10	0.65	1.24	341	6.5	2,640	3B	05-LPL-951-065	0.66
05-LHP-925	17	0.96	0.84	257	7	3,900	3B	05-LPL-951-070	0.8