

Vacuum Pedestal Bases | VPST/VPSC

Vacuum Pedestal Clamps | VPSCS

VPST/VPSCM

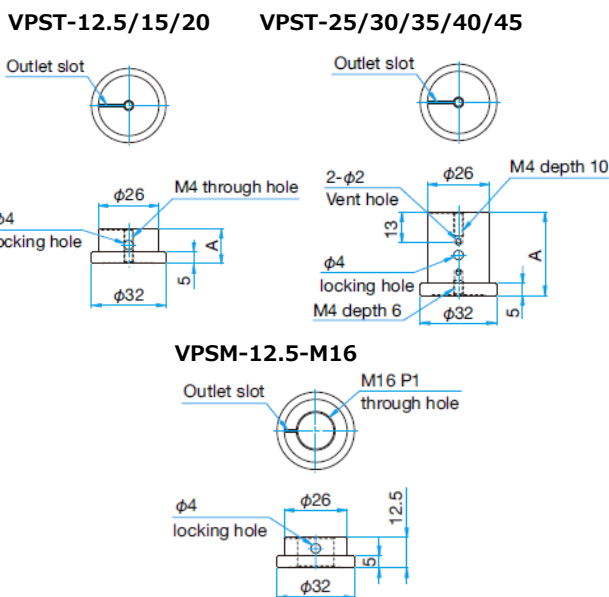
NEW **RoHS**



Low out-gas pedestal bases for supporting vacuum mirror holders and lens holders.

- By using in combination with vacuum pedestal clamps (VPSCS), the pedestal bases can be positioned at an arbitrary position.
- Screw hole grooving and vent hole processing are applied to prevent the out-gas emits when forming vacuum.
- Separately sold parts, vacuum screw (VSC/VCHS) can fix the M6 installing holders or M4 installing holders.
- VPSCM can connect the vacuum post holders (VRS-12) and can be fixed by pedestal clamps (VPSCS).

Outline Drawing



Guide

- ▶ We deliver the item with specialized vacuum packaging to keep its high clean state from the factory to the destination.
- ▶ We provide vacuum optical baseplates (VOBC) for fixing the post holders.

Attention

- ▶ Please open the package in the clean environment. Please do not touch it by your bare hands.

Specifications		Primary material: Steel (SUS316L) Finish: None	
Part Number	Height A [mm]	Weight [kg]	
VPST-12.5	12.5	0.065	
VPST-15	15	0.07	
VPST-20	20	0.08	
VPST-25	25	0.1	
VPST-30	30	0.12	
VPST-35	35	0.15	
VPST-40	40	0.17	
VPST-45	45	0.19	
VPSM-12.5-M16	12.5	0.045	

VPSCS

NEW **RoHS**



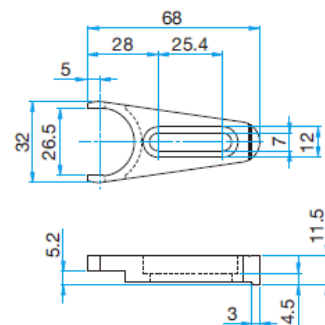
Pushing tool for fixing the vacuum pedestal bases to the optical baseplates.

- Long hole and vacuum M6 screw helps fixing in the optimal position.
- If screws are tightened, pedestal bases are pressed firmly to the optical baseplates by leverage and the pedestal bases will be fixed.

Outline Drawing

VPSCS-11.5

SUS Stainless steel washers...1 screw



Attention

- ▶ Screws are not included. Please prepare vacuum screws (VPCB/VAGB).
- ▶ Please open the package in the clean environment. Please do not touch it by your bare hands.

Specifications		Primary material: Steel (SUS316L) Finish: None	
Part Number	Weight [kg]	Compatible Mounting Screw Number	
VPSCS-11.5	0.06	VPCB-6-12 or VAGB-6-12	