

Rod Mount Modules attach directly to vibration isolator or laboratory bench tables. Attaching a Z bracket at a right angle to the rod allows for horizontal adjustment.

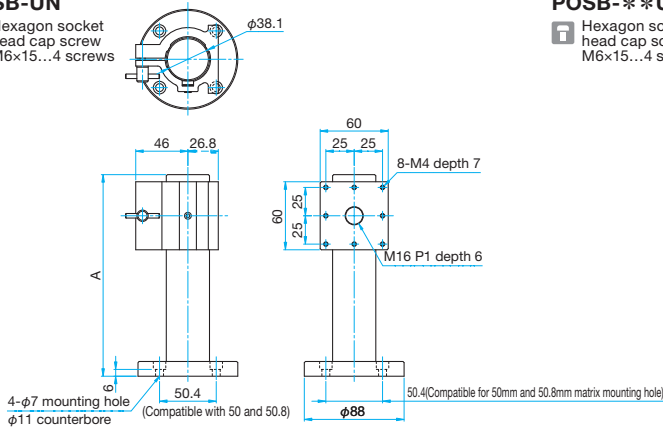
- The rod is composed of stainless steel and a vibration damping material.  
Compatible for 50mm and 50.8mm matrix mounting hole



## Outline Drawing

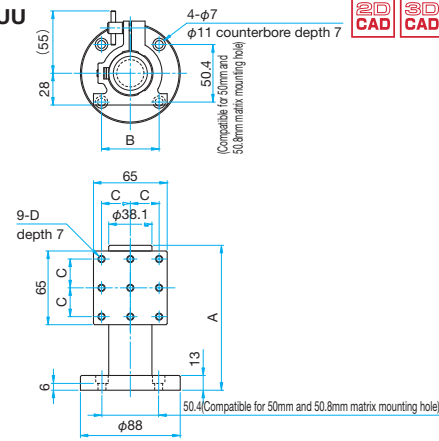
### POSB-UN

- Hexagon socket head cap screw M6x15...4 screws



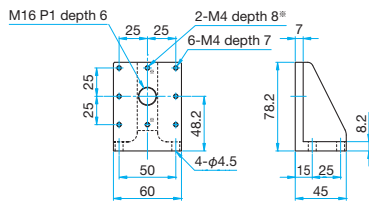
### POSB-\*\*UN\*\*EE/UU

- Hexagon socket head cap screw M6x15...4 screws



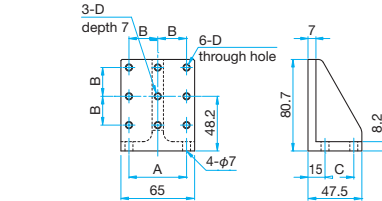
### BLZ-60

- Hexagon socket head cap screw M4x12...4 screws



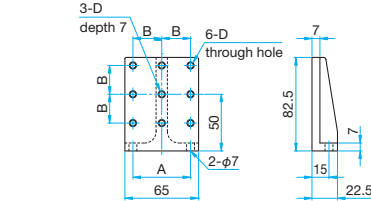
### BLZ-65EE/65UU

- Hexagon socket head cap screw M6x15...4 screws(EE)
- Hexagon socket head cap screw 1/4-20UNCx5/8...4 screws(UU)



### BLZ-6550EE/6550UU

- Hexagon socket head cap screw M6x12...2 screws(EE)
- Hexagon socket head cap screw 1/4-20UNCx1/2...2 screws(UU)



Specifications		Primary material: Stainless Steel (No finish) Coarse adjustment section material: Aluminum Finish: Black Anodized		
Part Number	A [mm]	C	D	Weight [kg]
POSB-177UN	177.8	-	-	2.1
POSB-355UN	355.6	-	-	3.7
POSB-177UN65EE	177.8	25	M6 P1	2.2
POSB-355UN65EE	355.6	25	M6 P1	3.8
POSB-177UN65UU	177.8	25.4	1/4-20UNC	2.2
POSB-355UN65UU	355.6	25.4	1/4-20UNC	3.8

Z Angle Brackets only		Primary material: Aluminum Finish: Black Anodized			
Part Number	A [mm]	B [mm]	C	D	Weight [kg]
BLZ-60	-	-	-	-	0.18
BLZ-65EE	50	25	25	M6 P1	0.2
BLZ-65UU	50.8	25.4	25.4	1/4-20UNC	0.2
BLZ-6550EE	50	25	-	M6 P1	0.14
BLZ-6550UU	50.8	25.4	-	1/4-20UNC	0.14

Application  
SystemsOptics &  
Optical  
CoatingsOpto-  
Mechanics

Bases

Manual  
StagesActuators &  
AdjustersMotorized  
StagesLight Sources &  
Laser Safety

Index

Guide

Vibration  
Isolation Systems

Optical Tables

Darkrooms/  
Dark Boxes

Optical Bases

Posts

Brackets

Adapters

Tools

## Guide

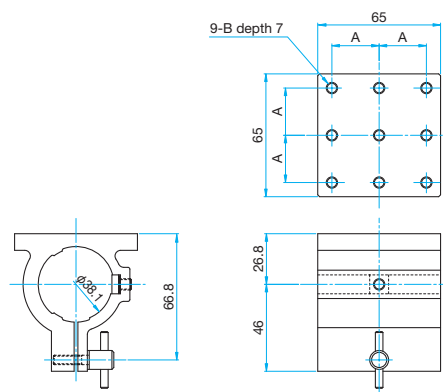
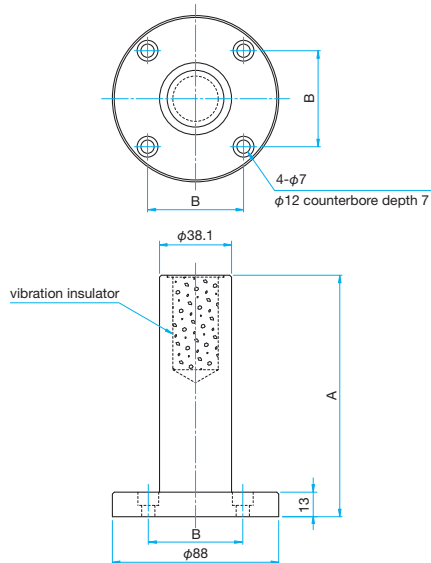
- ▶ The POS is the damped rod.
- ▶ The BLZ model is the Z Angle Bracket.



## Outline Drawing

- POS-177EE/UU** Hexagon socket head cap screw M6×15...4 screws(EE)  
**POS-355EE/UU** Hexagon socket head cap screw 1/4-20UNC×1/2...4 screws(UU)

## POSB-65EE/UU



Part Number	A (mm)	B
<b>POSB-65EE</b>	25	M6 P1
<b>POSB-65UU</b>	25.4	1/4-20UNC

Part Number	A (mm)	B (mm)
<b>POS-177EE</b>	177.8	50.4(Compatible for 50mm and 50.8mm matrix mounting hole)
<b>POS-355EE</b>	355.6	50.4(Compatible for 50mm and 50.8mm matrix mounting hole)
<b>POS-177UU</b>	177.8	50.4(Compatible for 50mm and 50.8mm matrix mounting hole)
<b>POS-355UU</b>	355.6	50.4(Compatible for 50mm and 50.8mm matrix mounting hole)

## Specifications

Part Number	A [mm]	B [mm]	Weight [kg]
<b>POS-177EE</b>	177.8	50	1.9
<b>POS-355EE</b>	355.6	50	3.4
<b>POS-177UU</b>	177.8	50.8	1.9
<b>POS-355UU</b>	355.6	50.8	3.4
<b>POSB-65EE</b>	25	M6 P1	0.3
<b>POSB-65UU</b>	25.4	1/4-20UNC	0.3