

# Stand Base/Stand Clamp Helicoidal Jacks

RCA/RC  
HCS-H

## RCA/RC

RoHS

The base allows for posts to be positioned close together with the magnet of the clamps.



Application Systems  
Optics & Optical Coatings  
Opto-Mechanics

- Rod stand base can be secured onto a steel lab bench with the magnet, or with the clamp.
- The clamps locks down the rod stand at any angle about a tapped hole.

Bases

Manual Stages

Actuators & Adjusters

MotORIZED Stages

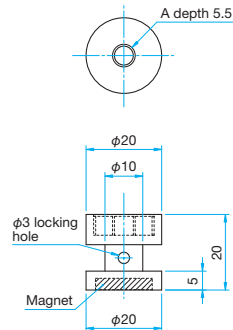
Light Sources & Laser Safety

Index



### Outline Drawing

RCA



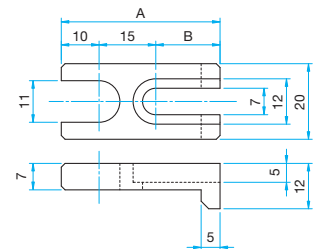
Part Number	A (mm)
RCA-M16	M16 P1
RCA-M6	M6
RCA-1/4UU	1/4-20UNC

RC-10\*-17/25

Hexagon socket head cap screw (stainless steel construction) M6x15...1 screws, Flat washer

RC-10\*-17UU/25UU

Hexagon socket head cap screw (stainless steel construction) 1/4-20UNCx5/8...1 screws, Flat washer



Part Number	A (mm)	B (mm)
RC-10-17/RC-10A-17	42	17
RC-10-25/RC-10A-25	50	25

### Specifications

Primary material: Stainless Steel (RC-10A-\*\*: Aluminium)  
Finish: None (RC-10A-\*\*: Black Anodized)

Part Number	Product Name	To hold	Mounting	Weight [kg]
RCA-M16	Stand Base	M16 Rod Stand	Magnet, Stand Clamp (RC-10)	0.023
RCA-M6	Stand Base	M6 Rod Stand	Magnet, Stand Clamp (RC-10)	0.035
RCA-1/4UU	Stand Base	1/4 INCH Rod Stand	Magnet, Stand Clamp (RC-10)	0.035
RC-10-17	Stand Base	Stand Base (RCA-M16)	Hexagon socket head bolt M6x15	0.027
RC-10A-17	Stand Base	Stand Base (RCA-M16)	Hexagon socket head bolt M6x15	0.009
RC-10-25	Stand Base	Stand Base (RCA-M16)	Hexagon socket head bolt M6x15	0.031
RC-10A-25	Stand Base	Stand Base (RCA-M16)	Hexagon socket head bolt M6x15	0.011
RC-10-17UU	Stand Base	Stand Base (RCA-1/4UU)	Hexagon socket head bolt 1/4-20UNCx5/8	0.027
RC-10-25UU	Stand Base	Stand Base (RCA-1/4UU)	Hexagon socket head bolt 1/4-20UNCx5/8	0.031
RC-10A-17UU	Stand Base	Stand Base (RCA-1/4UU)	Hexagon socket head bolt 1/4-20UNCx5/8	0.009
RC-10A-25UU	Stand Base	Stand Base (RCA-1/4UU)	Hexagon socket head bolt 1/4-20UNCx5/8	0.011

## HCS-H

RoHS

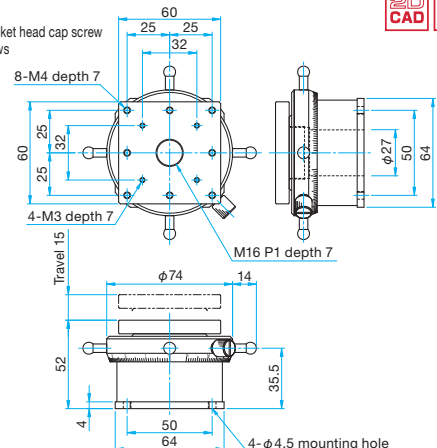
Coarse adjustment Helicoidal Jack with 15 mm of Travel

- The upper plate moves upward without rotating.
- The helicoid screw system, provides 15mm/rotation of smooth movement.

### Outline Drawing

HCS-H

Hexagonal socket head cap screw M4x8...4 screws



### Example of Combinations



Helicoidal jack connected to a post holder.

### Specifications

Primary material: Aluminum  
Finish: Black Anodized

Part Number	Load Capacity [N]	Weight [kg]
HCS-H	19.6 (about 2.0kgf)	0.45