

Post Holders C Shape Post Collars

RS
TRC

RS

RoHS



Used for height and rotational coarse adjustment of a post.

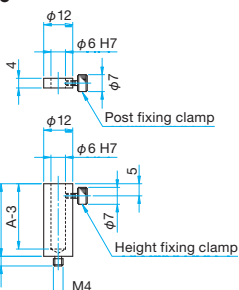
- To secure a holder, insert the post into the post holder. Clamp the post with the clamp screw on the main body and the clamp on the post fixing clamp.
- The post can be be coarsely rotated by loosening the clamp on the main body and keeping the post fixing clamp tightened.
- There are three tapped holes for the clamp screw on the main body. This allows the user to move the clamp if it is interfering with other objects. (Note that the RS-30 model comes with three clamp screws as standard.)
- The air-vent hole enables easy one handed loading/unloading of a post.

Guide

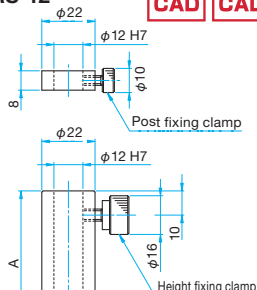
► Extra clamp screws (RS-CB) can be purchased separately.

Outline Drawing

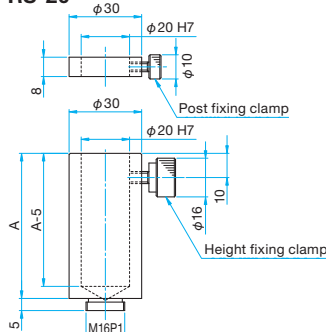
RS-6



RS-12



RS-20



Inner Diameter: 6		Primary material: Aluminum Finish: Black Anodized
Part Number	A [mm]	Weight [kg]
RS-6-15	15	0.008
RS-6-20	20	0.009
RS-6-25	25	0.01
RS-6-30	30	0.011
RS-6-35	35	0.012
RS-6-40	40	0.013

Inner Diameter: 12		Primary material: Brass Finish: Black matte
Part Number	A [mm]	Weight [kg]
RS-12-30	30	0.1
RS-12-35	35	0.12
RS-12-40	40	0.13
RS-12-45	45	0.14
RS-12-50	50	0.15
RS-12-55	55	0.16
RS-12-60	60	0.17
RS-12-80	80	0.22
RS-12-100	100	0.26
RS-12-120	120	0.3
RS-12-130	130	0.32

Inner Diameter: 20		Primary material: Brass Finish: Black matte
Part Number	A [mm]	Weight [kg]
RS-20-30	30	0.16
RS-20-35	35	0.17
RS-20-40	40	0.19
RS-20-45	45	0.21
RS-20-50	50	0.22
RS-20-55	55	0.24
RS-20-60	60	0.26
RS-20-80	80	0.32
RS-20-100	100	0.38
RS-20-120	120	0.45
RS-20-130	130	0.48

TRC

RoHS



Optional parts for posts (RO)

- These post collars prevent posts from sliding into the post holders and act as a physical stop.
- C shape post collars can be installed without removing the posts from existing systems.

Guide

► Contact our Sales Division if the standard intermediate ring equipped with the post is needed to be replaced with the C shape intermediate ring.

Attention

► This product is delivered only by mail.



Specifications

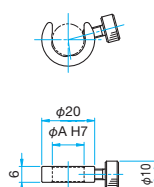
Primary material: Aluminum
Finish: Black Anodized

Part Number	Inner Diameter [mm]	Quantity [Pieces]
TRC-12	12	5
TRC-12.7	12.7	5
TRC-20	20	5

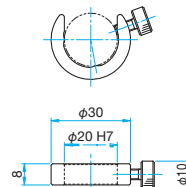
Part Number	A (mm)
TRC-12	12
TRC-12.7	12.7

Outline Drawing

TRC-12/12.7



TRC-20



Application Systems

Optics & Optical Coatings

Opto-Mechanics

Bases

Manual Stages

Actuators & Adjusters

MotORIZED Stages

Light Sources & Laser Safety

Index

Guide

Vibration Isolation Systems

Optical Tables

Darkrooms/ Dark Boxes

Optical Bases

Posts

Brackets

Adapters

Tools