

High Stability Ball Plunger Post Holders

BRS

RoHS

Used for coarse/fine rotation and height adjustments of posts.

The posts has three poits of contact with the post holder as opposed to the conventional two contact points.

Application Systems
Optics & Optical Coatings
Opto-Mechanics

Bases

Manual Stages

Actuators & Adjusters

Motoeized Stages

Light Sources & Laser Safety

Index

Guide

Vibration Isolation Systems

Optical Tables

Darkrooms/ Dark Boxes

Optical Bases

Posts

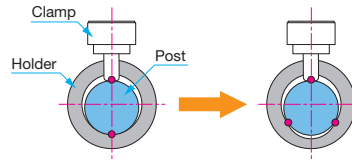
Brackets

Adapters

Tools



- The plunger prevents posts from slipping as well ad smooth adjustment with one hand when the clamp is loosened.
- The adjustment screw on the bottom of the post holder can be rotated in 90 degree increments.
- Can be mounted with different adapters.

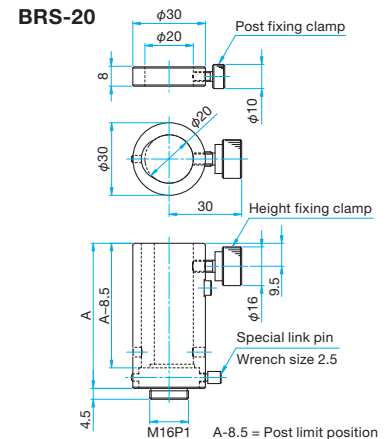
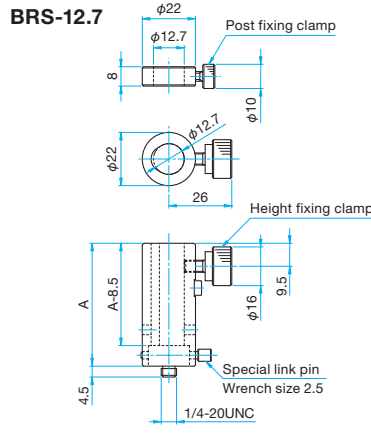
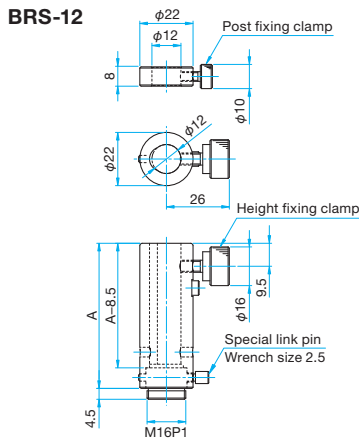


Guide

▶ Extra clamp screws (RS-CB) can be purchased separately.



Outline Drawing

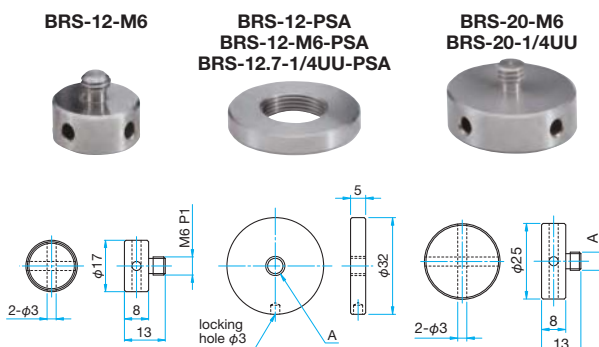


Inner Diameter: 12		
Primary material: Aluminum Finish: Black Anodized		
Part Number	A [mm]	Weight [kg]
BRS-12-30	30	0.05
BRS-12-40	40	0.06
BRS-12-50	50	0.07
BRS-12-60	60	0.08
BRS-12-80	80	0.1
BRS-12-100	100	0.12
BRS-12-120	120	0.14
BRS-12-130	130	0.15

Inner Diameter: 12.7		
Primary material: Aluminum Finish: Black Anodized		
Part Number	A [mm]	Weight [kg]
BRS-12.7-25.4UU	25.4	0.04
BRS-12.7-38.1UU	38.1	0.06
BRS-12.7-50.8UU	50.8	0.07
BRS-12.7-63.5UU	63.5	0.08
BRS-12.7-76.2UU	76.2	0.1
BRS-12.7-101.6UU	101.6	0.12
BRS-12.7-127UU	127	0.15
BRS-12.7-152.4UU	152.4	0.18

Inner Diameter: 20		
Primary material: Aluminum Finish: Black Anodized		
Part Number	A [mm]	Weight [kg]
BRS-20-30	30	0.07
BRS-20-40	40	0.09
BRS-20-50	50	0.1
BRS-20-60	60	0.12
BRS-20-80	80	0.16
BRS-20-100	100	0.19
BRS-20-120	120	0.22
BRS-20-130	130	0.24

Option Thread Adapters for High Stability Ball Plunger Post Holders | BRS



Thread adapters for high stability ball plunger post holders (BRS).

Specifications			
Primary material: Stainless Steel Finish: None			
Part Number	Compatible Post Holders	A	Weight [kg]
BRS-12-M6	BRS-12	-	0.013
BRS-12-PSA	BRS-12	M16 P1	0.023
BRS-12-M6-PSA	BRS-12	M6 P1	0.03
BRS-12.7-1/4UU-PSA	BRS-12.7	1/4-20UNC	0.03
BRS-20-M6	BRS-20	M6 P1	0.03
BRS-20-1/4UU	BRS-20	1/4-20UNC	0.03