

Base Clamps M6 Conversion Adapters

BSC
AD-M6

BSC

RoHS

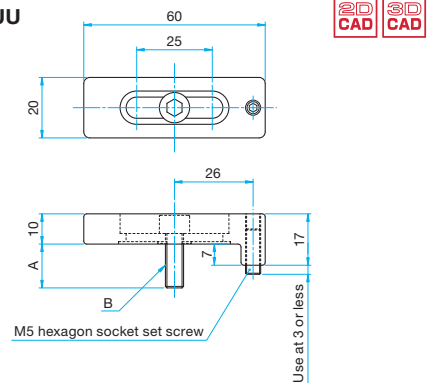
Clamp for use with BSP series M6 base plates.



- Can be used to secure base plates or other flat plates.
- Clamps plate thicknesses of 7 – 10mm.

Outline Drawing

BSC-60/60UU



Guide

- ▶ This base clamp allows the user to secure base plates at an arbitrary position about a single tapped hole.

Specifications

Primary material: Aluminum
Finish: Black Anodized

Part Number	A [mm]	B	Weight [kg]
BSC-60	14.5	M6 P1	0.04
BSC-60UU	15.5	1/4-20UNC	0.04

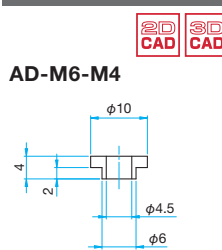
AD-M6

RoHS

M6-M4 Conversion Adapters

- Adapter for converting a mounting hole from M6 to M4.

Outline Drawing



Specifications

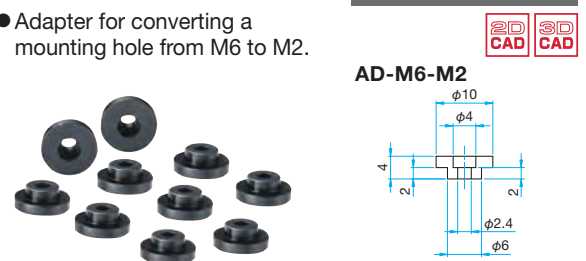
Primary material: Aluminum
Finish: Black Anodized

Part Number	Weight [kg]	Quantity [Pieces]
AD-M6-M4	0.004	10

M6-M2 Conversion Adapters

- Adapter for converting a mounting hole from M6 to M2.

Outline Drawing

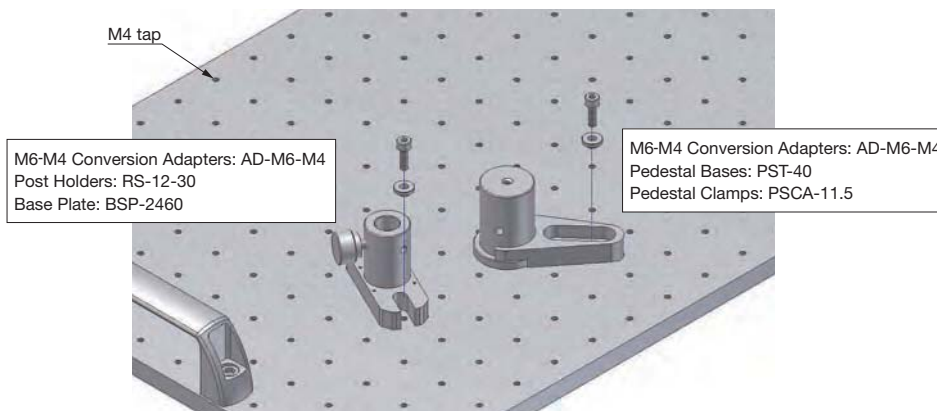


Specifications

Primary material: Aluminum
Finish: Black Anodized

Part Number	Weight [kg]	Quantity [Pieces]
AD-M6-M2	0.005	10

Example of Use of Conversion Adapters



Using adapter AD-M6-M4, (example: OBC-3045) breadboard fasten to.

Application Systems
Optics & Optical Coatings
Opto-Mechanics

Bases

Manual Stages

Actuators & Adjusters

MotORIZED Stages

Light Sources & Laser Safety

Index

Guide

Vibration Isolation Systems

Optical Tables

Darkrooms/ Dark Boxes

Optical Bases

Posts

Brackets

Adapters

Tools