

Bracket for mounting an X-axis stage at right angles to the mounting surface.



- X-axis stages can be mounted vertically and used as a Z-axis stage.
- If the X-axis stage is mounted vertically, attach the stage such that the micrometer head is on the underside.
- The TSD-SZ series Z-axis stages can be mounted so that the micrometer head is on the topside.

### Guide

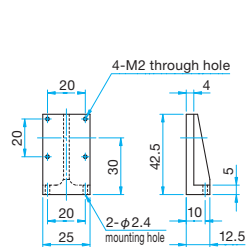
▶ The finish on the back of the bracket will be rough due to casting, but does not impede on the performance.



### Outline Drawing

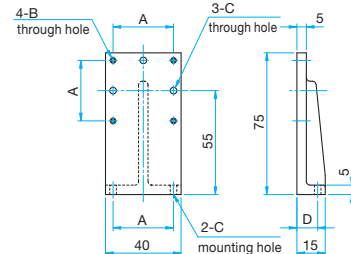
#### ZBR-2530

ⓘ Pan head screw M2x8...2 screws, Flat washer



#### ZBR-4055/4055UU

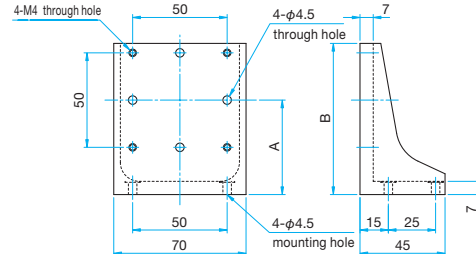
ⓘ Pan head screw M3x10...2 screws, Flat washer (4055)  
Hexagonal socket head cap screw 6-32UNCx3/8...2 screws (4055UU)



Part Number	A (mm)	B	C (mm)	D (mm)
ZBR-4055	32	M3	φ3.5	11
ZBR-4055UU	31.75	6-32UNC	φ4	10.875

#### ZBR-7050/7090

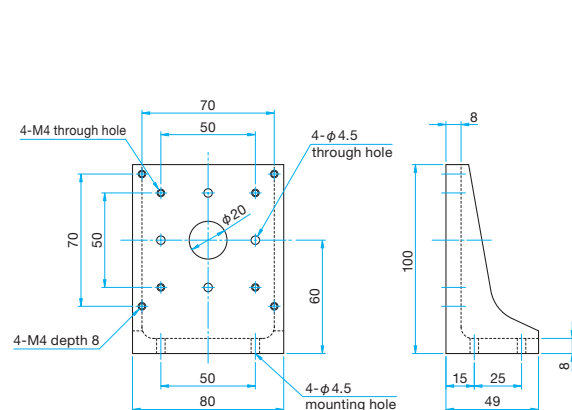
ⓘ Hexagonal socket head cap screw M4x12...4 screws (common to 2 types)



Part Number	A (mm)	B (mm)
ZBR-7050	50	80
ZBR-7090	90	120

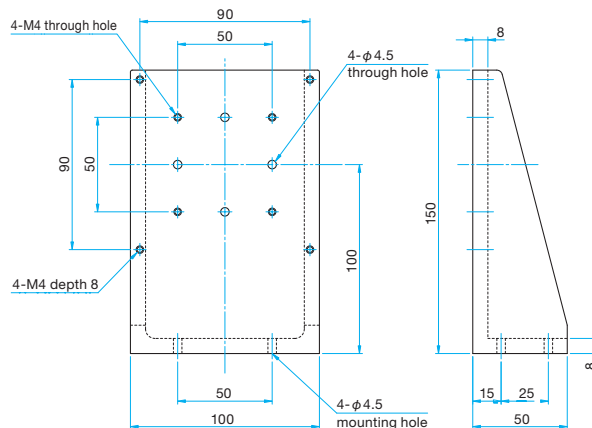
#### ZBR-8060

ⓘ Hexagonal socket head cap screw M4x12...4 screws



#### ZBR-100100

ⓘ Hexagonal socket head cap screw M4x12...4 screws



### Example of Combinations



TSD-601S + ZBR-7050

### Specifications

Primary material: Aluminum (except ZBR-2530)  
Finish: Black Anodized

Part Number	Weight [kg]
ZBR-2530	0.62
ZBR-4055	0.05
ZBR-4055UU	0.05
ZBR-7050	0.18
ZBR-7090	0.24
ZBR-8060	0.28
ZBR-100100	0.58

\* For ZBR-2530, primary material is brass, and finish is black coating.

# Z Angle Brackets | ZBR



## Outline Drawing

Application Systems  
Optics & Optical Coatings  
Opto-Mechanics

Bases

Manual Stages

Actuators & Adjusters

MotORIZED Stages

Light Sources & Laser Safety

Index

Guide

Vibration Isolation Systems

Optical Tables

Darkrooms/ Dark Boxes

Optical Bases

Posts

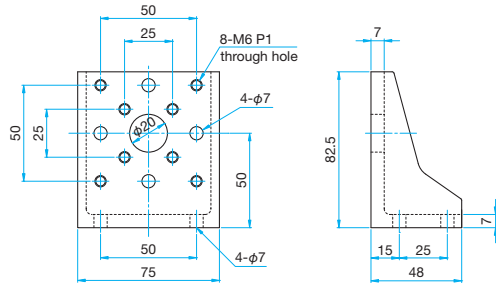
Brackets

Adapters

Tools

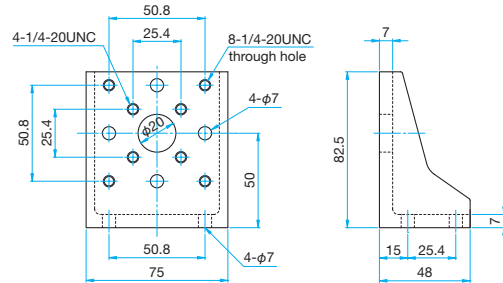
### ZBR-7550EE

Hexagonal socket head cap screw M6x12...4 screws



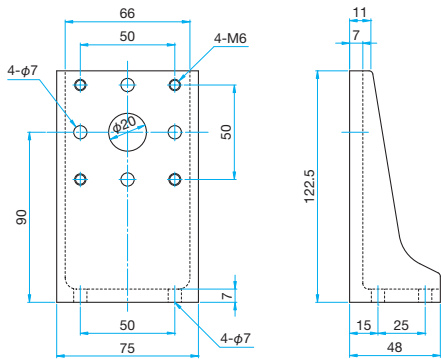
### ZBR-7550UU

Hexagonal socket head cap screw 1/4-20UNCx1/2...4 screws



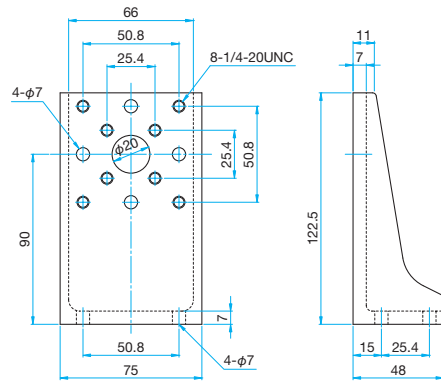
### ZBR-7590EE

Hexagonal socket head cap screw M6x12...4 screws



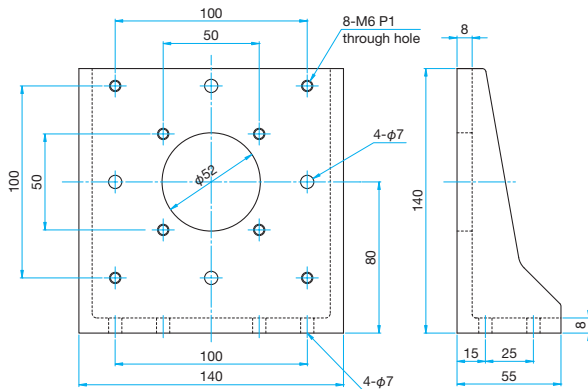
### ZBR-7590UU

Hexagonal socket head cap screw 1/4-20UNCx1/2...4 screws



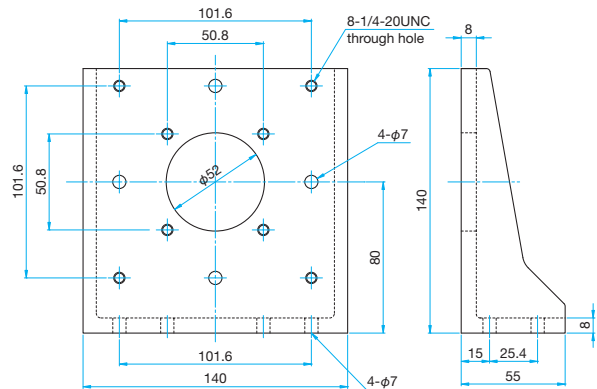
### ZBR-14080EE

Hexagonal socket head cap screw M6x12...4 screws



### ZBR-14080UU

Hexagonal socket head cap screw 1/4-20UNCx1/2...4 screws



## Specifications

Primary material: Aluminum  
Finish: Black Anodized

Part Number	Weight [kg]
ZBR-7550EE	0.2
ZBR-7550UU	0.2
ZBR-7590EE	0.6
ZBR-7590UU	0.6
ZBR-14080EE	0.3
ZBR-14080UU	0.3