

Adapters | SP

Application Systems

Optics & Optical Coatings

Opto-Mechanics

Bases

Manual Stages

Actuators & Adjusters

MotORIZED Stages

Light Sources & Laser Safety

Index

Guide

Vibration Isolation Systems

Optical Tables

Darkrooms/ Dark Boxes

Optical Bases

Posts

Brackets

Adapters

Tools

50x50mm Adapter Plates | SP-102

- Mounting hole converting adapter for stages.

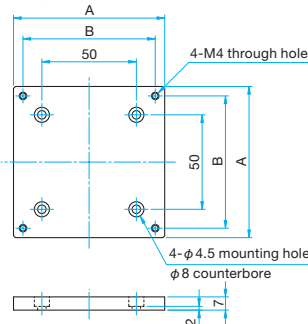


Specifications		Primary material: Aluminum Finish: Black Anodized
Part Number	Weight [kg]	
SP-102-1	0.12	
SP-102-2	0.18	
SP-102-3	0.27	

Outline Drawing

SP-102

Hexagonal socket head screw M4x6...4 screws (common to 3 types)



Part Number	A (mm)	B (mm)
SP-102-1	80	70
SP-102-2	100	90
SP-102-3	120	100

RoHS

Connection Example

80x80 stage (M4 70x70)

SP-102-1

M4 50x50

100x100 stage (M4 90x90)

SP-102-2

M4 50x50

120x120 stage (M4 100x100)

SP-102-3

M4 50x50

Top Plates for KSP/KSPA | SP-103

- Mounting hole-converting adapter for θ axis rotation stages.

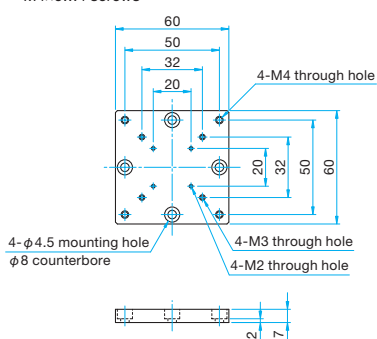


Specifications		Primary material: Aluminum Finish: Black Anodized
Part Number	Weight [kg]	
SP-103	0.06	

Outline Drawing

SP-103

Hexagonal socket head cap screw M4x6...4 screws



RoHS

Connection Example

25x25 stage (M2 20x20)

40x40 stage (M3 32x32)

60x60 stage (M4 50x50)

SP-103

KSP/KSPA (M4 φ50)

Bottom Plates for KSP-786M | SP-104

- Allows the KSP-786M to connect to a M4 breadboard.

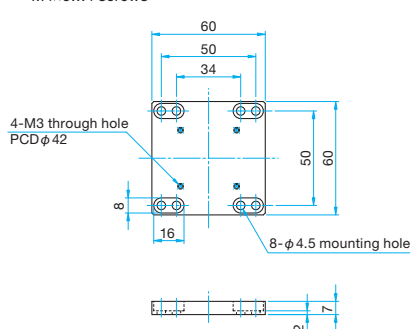


Specifications		Primary material: Aluminum Finish: Black Anodized
Part Number	Weight [kg]	
SP-104	0.06	

Outline Drawing

SP-104

Hexagonal socket head cap screw M4x6...4 screws



RoHS

Connection Example

KSP-786M

SP-104

MB-CB-PB

60x60 stage (M4 50x50)

Top Plates for TAR | SP-109

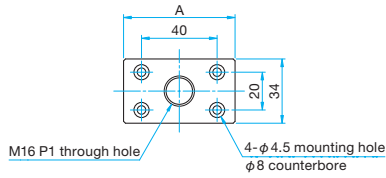
- Allows for Post Holders with M16P1 threads to be used on top of rack and pinion stages.



Outline Drawing

SP-109-1/2

Hexagonal socket head cap screw
M4x6...4 screws



Part Number	A (mm)
SP-109-1	60
SP-109-2	80

RoHS

Connection Example

Post holder etc. (M16 P1)	Post holder etc. (M16 P1)
SP-109-1	SP-109-2
TAR-34601	TAR-34801
TAR-38601D	TAR-34141
TAR-34602	TAR-38801D
	TAR-38141D
	TAR-34802

Specifications

Part Number	Primary material: Aluminum Finish: Black Anodized
	Weight [kg]
SP-109-1	0.03
SP-109-2	0.04

Conversion Plate | SP-113N



Allows attachment of a M16 female pole (PO) to □40 × 40 mm stages.

- Can attach a AIS-40B tilt stage, SHA-40 sample holder, or a MPH-B polarizer holder to the □40×40 mm stage.

Specifications

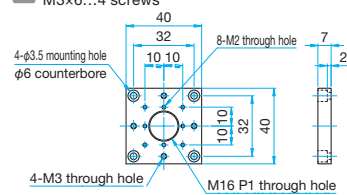
Part Number	Primary material: Aluminum Finish: Black Anodized
	Weight [kg]
SP-113N	0.02

RoHS

Outline Drawing

SP-113N

Hexagonal socket head cap screw
M3x6...4 screws



Conversion Plate | SP-114N



- Allows attachment of a M16 female pole (PO) to □40×40 mm stages and rotation stages.
- Can attach the □40×40 mm metric stages, SHA-25 sample holders or MPH-B polarizer holders to the rotation stages (KSP-406, KSW-406).

Specifications

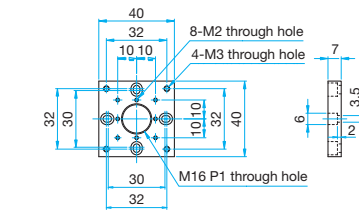
Part Number	Primary material: Aluminum Finish: Black Anodized
	Weight [kg]
SP-114N	0.02

RoHS

Outline Drawing

SP-114N

Hexagonal socket head cap screw
M3x6...4 screws



Bottom Plates for KSPA 806M, 1006M | SP-117

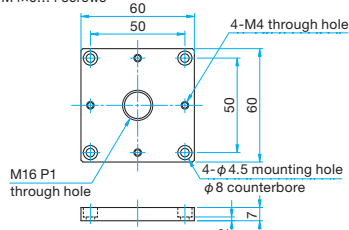
- Mounting hole converting adapter for rotation stages (KSPA-806M and 1006MH).



Outline Drawing

SP-117

Hexagonal socket head cap screw
M4x6...4 screws



RoHS

Connection Example

Post holder etc. (M16 P1)
KSPA-806M, 1006MH
SP-117
M4 50x50

Specifications

Part Number	Primary material: Aluminum Finish: Black Anodized
	Weight [kg]
SP-117	0.06

Application Systems

Optics & Optical Coatings

Opto-Mechanics

Bases

Manual Stages

Actuators & Adjusters

Motoeized Stages

Light Sources & Laser Safety

Index

Guide

Vibration Isolation Systems

Optical Tables

Darkrooms/ Dark Boxes

Optical Bases

Posts

Brackets

Adapters

Tools

Adapters | SP

Application Systems
Optics & Optical Coatings
Opto-Mechanics

Bases

Manual Stages

Actuators & Adjusters

MotORIZED Stages

Light Sources & Laser Safety

Index

Guide

Vibration Isolation Systems

Optical Tables

Darkrooms/ Dark Boxes

Optical Bases

Posts

Brackets

Adapters

Tools

M16 P1/M6 P1 Adapter Nuts | SP-121

RoHS



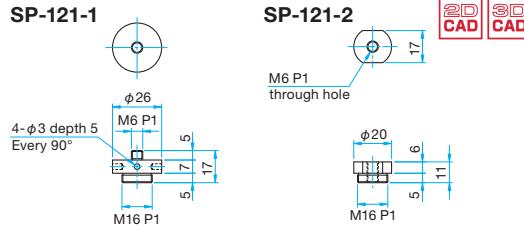
SP-121-1



SP-121-2

- Converts Female M16P1 threads to male or female M6P1 threads on post holders.

Outline Drawing



Connection Example	
Main frame of holder etc. (M6 P1 (female))	Post (M6 P1 (male))
▼	▼
SP-121-1	SP-121-2
▼	▼
M16 P1	M16 P1
Specifications	
Primary material: Brass Finish: Chrome	
Part Number	Weight [kg]
SP-121-1	0.04
SP-121-2	0.02

M16 P1/M6 P1 Adapter Nuts | SP-121S

RoHS



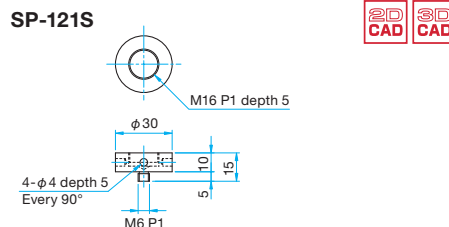
Upper surface



Under surface

- Converts a male M16P1 thread to a male M6P1 thread.

Outline Drawing



Connection Example	
Post holder etc. (M16 P1 (male))	
▼	
SP-121S	
▼	
Baseplate / optical breadboard etc. (M6 P1 (female))	

Specifications	
Primary material: Aluminum Finish: Black Anodized	
Part Number	Weight [kg]
SP-121S	0.01

M6P1 Adapter Plates | SP-122

RoHS

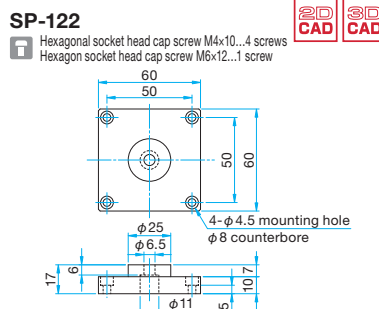
- Mounting adapter allows for parts with a M6P1 female thread to be used onto a M4 50 x50 mm mounting surface.
- Good for setting a low optical axis.



Attention

- ▶ Note that holders with protrusions within the $\phi 25$ mounting surface may not be able to be connected.

Outline Drawing



Connection Example	
M6 P1 (female)	
▼	
SP-122	
▼	
M4 50x50	

Specifications	
Primary material: Aluminum Finish: Black Anodized	
Part Number	Weight [kg]
SP-122	0.1

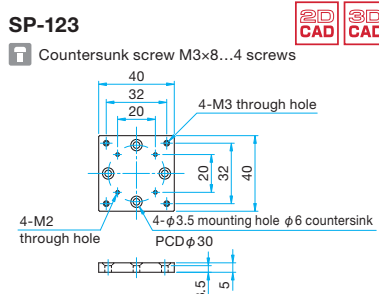
Top Plates for KSP-406M | SP-123

RoHS

- Allows for 40 mm stages to be mount on top of rotaion stages KSP-406M.



Outline Drawing



Connection Example	
25x25 stage (M2 20x20)	
40x40 stage (M3 32x32)	
▼	
SP-123	
▼	
KSP-406M	
KSP-406MR	

Specifications	
Primary material: Aluminum Finish: Black Anodized	
Part Number	Weight [kg]
SP-123	0.02

Top Plate Adapters for TAS-2060 | SP-127-1

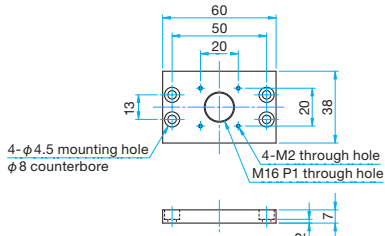
- Allows for 25 mm stages and M16P1 post holders to be mounted on top of TAS-20601 and 20602.



Outline Drawing

SP-127-1

- Hexagonal socket head cap screw M4x6...4 screws



RoHS

Connection Example

Post holder etc. (M16 P1)
25x25 stage (M2 20x20)

SP-127-1

TAS-20601
TAS-20602

Specifications

Primary material: Aluminum
Finish: Black Anodized

Part Number	Weight [kg]
SP-127-1	0.04

Application Systems

Optics & Optical Coatings

Opto-Mechanics

Bases

Manual Stages

Actuators & Adjusters

Motoeized Stages

Light Sources & Laser Safety

Index

Guide

Vibration Isolation Systems

Optical Tables

Darkrooms/ Dark Boxes

Optical Bases

Posts

Brackets

Adapters

Tools

Adapter Plates | SP-129

- Allows stages and post holders to be mounted onto KSP-406 and other stages (see chart).

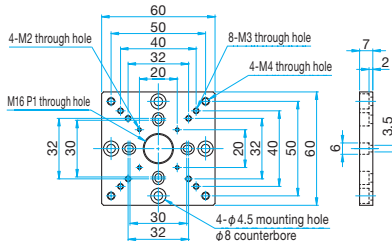
Reference ▶ D041



Outline Drawing

SP-129

- Hexagonal socket head cap screw M3x6...4 screws



RoHS

Connection Example

Post holder etc. (M16 P1)
25x25 stage (M2 20x20)
40x40 stage (M3 32x32)
60x60 stage (M4 50x50)

SP-129

KSP-406 (M3 φ30)
40x40 stage (M3 φ32)
60x60 stage (M4 φ50)

Specifications

Primary material: Aluminum
Finish: Black Anodized

Part Number	Weight [kg]
SP-129	0.06

Adapter Plates | SP-130

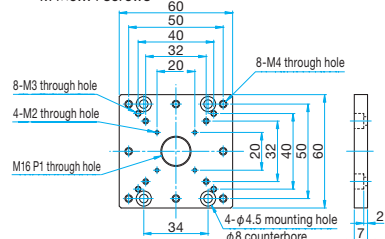
- Allows stages and post holders to be mounted onto MB-PB-CB magnet base family parts.



Outline Drawing

SP-130

- Hexagonal socket head cap screw M4x6...4 screws



RoHS

Connection Example

Post holder etc. (M16 P1)
25x25 stage (M2 20x20)
40x40 stage (M3 32x32)
60x60 stage (M4 50x50)

SP-130

MB-PB-CB

Specifications

Primary material: Aluminum
Finish: Black Anodized

Part Number	Weight [kg]
SP-130	0.06

Adapter Plates | SP-131

- Allows stages and post holders to be mounted on top of rack and pinion stages (see chart).

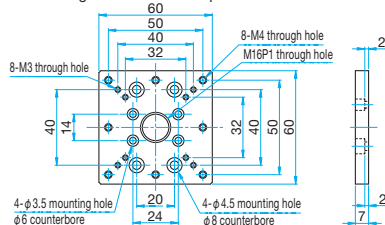
Reference ▶ D041



Outline Drawing

SP-131

- Hexagonal socket head cap screw M4x6...4 screws
- Hexagonal socket head cap screw M3x6...4 screws



RoHS

Connection Example

Post holder etc. (M16 P1)
40x40 stage (M3 32x32)
60x60 stage (M4 50x50)

SP-131

TAR-34403L (M3 14x24)
TAR-34/38 (M4 20x40)

Specifications

Primary material: Aluminum
Finish: Black Anodized

Part Number	Weight [kg]
SP-131	0.06

Adapters | SP

Application Systems
Optics & Optical Coatings
Opto-Mechanics

Bases

Manual Stages

Actuators & Adjusters

Motoeized Stages

Light Sources & Laser Safety

Index

Guide

Vibration Isolation Systems

Optical Tables

Darkrooms/
Dark Boxes

Optical Bases

Posts

Brackets

Adapters

Tools

Adapter Plates | SP-132

- Allows stages and post holders to be mounted on top of KSP-406 and 40 mm stages (see chart).

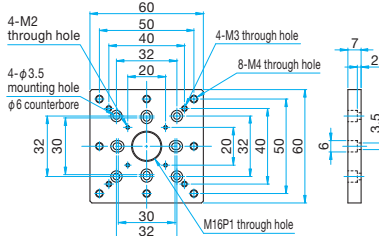
Reference > D041



Outline Drawing

SP-132

Hexagonal socket head cap screw
M3x6...4 screws



RoHS

Connection Example

Post holder etc. (M16 P1)
25x25 stage (M2 20x20)
50x50 stage (M3 40x40)
60x60 stage (M4 50x50)

SP-132

KSP-406 (M3 φ30)
40x40 stage (M3 32x32)

Specifications		Primary material: Aluminum Finish: Black Anodized
Part Number	Weight [kg]	
SP-132	0.06	

Adapter Plates | SP-133

- Allows stages and post holders to be mounted on top of 60 mm stages (see chart).

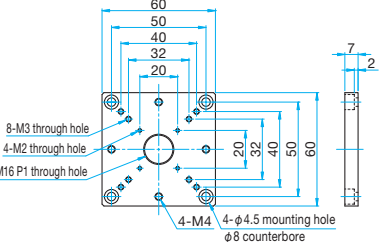
Reference > D041



Outline Drawing

SP-133

Hexagonal socket head cap screw
M4x6...4 screws



RoHS

Connection Example

Post holder etc. (M16 P1)
25x25 stage (M2 20x20)
40x40 stage (M3 32x32)
KSPA-806M/1006MH (M4 φ50)

SP-133

60x60 stage (M4 50x50)

Specifications		Primary material: Aluminum Finish: Black Anodized
Part Number	Weight [kg]	
SP-133	0.06	

Adapter Plates | SP-134

- Allows stages and post holders to be mounted on top of TAS-20601 and 20602 (see chart).

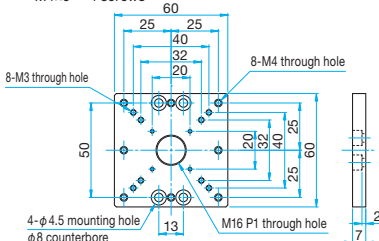
Reference > D041



Outline Drawing

SP-134

Hexagonal socket head cap screw
M4x6...4 screws



RoHS

Connection Example

Post holder etc. (M16 P1)
25x25 stage (M2 20x20)
40x40 stage (M3 32x32)
60x60 stage (M4 50x50)

SP-134

TAS-20601
TAS-20602

Specifications		Primary material: Aluminum Finish: Black Anodized
Part Number	Weight [kg]	
SP-134	0.06	

Conversion Plate | SP-135



Allows attachment of a 15x15 mm stages to 25x25 mm stages.

- Can attach GOH-15 goniometers, and TASB-15 preset dovetail translation stages to AIS-25B tilt stages, SHA-25 sample holders and MPH-B polarizer holders.

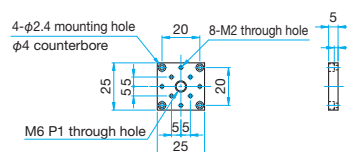
Specifications

Specifications		Primary material: Aluminum Finish: Black Anodized
Part Number	Weight [kg]	
SP-135	0.01	

Outline Drawing

SP-135

Pan head screw M2x4...4 screws



RoHS

