

Dark Boxes | DB

Creates a dark work area for optical experiments in a regular lab setting.

- The dark box has doors on the sides and the top which allows for easy adjustment of the experiment.
- Dark boxes are to be used on optical tables. The bottom of the box is light-shielded with a urethane seal.
- Custom sizes can be made to order.



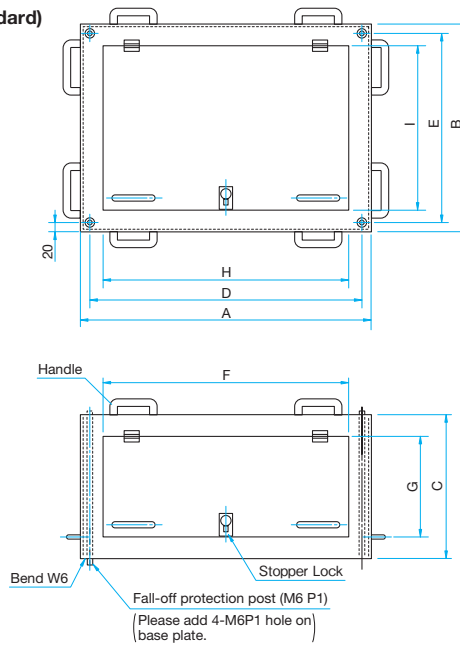
Attention

- ▶ Shipping charges are calculated at the time of shipment.



Outline Drawing

DB (Standard)



Specifications

Part Number	AxBxC [mm]	DxE [mm]	FxG [mm]	HxI [mm]	Weight [kg]
DB-1	200×200×200	160×160	140×140 (One side)	140×140 (Top)	5
DB-2	300×300×300	260×260	240×240 (One side)	240×240 (Top)	8
DB-3	500×500×300	460×460	400×240 (One side)	400×400 (Top)	13
DB-4	800×600×350	760×560	500×250 (One side)	500×500 (Top)	19

Primary material: Steel
Finish: Paint color (Cream)

Application Systems

Optics & Optical Coatings

Opto-Mechanics

Bases

Manual Stages

Actuators & Adjusters

MotORIZED Stages

Light Sources & Laser Safety

Index

Guide

Vibration Isolation Systems

Optical Tables

Darkrooms/
Dark Boxes

Optical Bases

Posts

Brackets

Adapters

Tools