

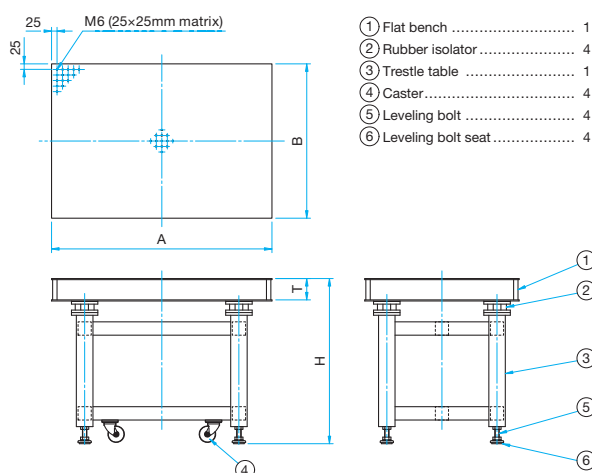
Entry level optical bench provides a basic level of vibration isolation for non critical experiments.



- The internal aluminum honeycomb structure provides a lightweight and stiff structure.
- The vibration isolating legs have high stiffness and stability.
- The top surface of the bench is magnetic stainless steel plate, with tapped holes (M6 25x25mm matrix) over the entire surface.

Outline Drawing

OSDVIO-R series



* For products with bench thickness (T) 150mm or less, placement of the pipes connecting the table legs is different.

Attention

- Freight is calculated separately. Use the carry-in route and installation environment question sheet.

Common Specifications

Vibration Isolation Method	Rigid supports with elastomer mounts
Honeycomb Material inside Bench	Steel
Bench Material	Upper plate: 4.0mm thickness 430 series ferro magnetic stainless steel plate, smooth sanded finish Lateral surface: 2.0mm thickness carbon steel plate with damped wood composite, vinyl convert finish Lower plate: 4.0mm thickness carbon steel plate epoxy painted finish
Bench Top Surface	M6 tapped holes on 25x25mm matrix over the entire surface (Leaving 37.5mm around the edges)
Bench Top Surface Finish	Unpainted (smooth sanded finish)
Surface Flatness	±0.1mm over 600mm square
Hole/Core Sealing	Easy clean cylindrical cup (25mm deep)

Specifications

Part Number	A × B [mm]	H [mm]	T [mm]	Load capacity [kg]	Weight [kg]
OSDVIO-R-0909M-100t(800H)	900× 900	800	100	300	149
OSDVIO-R-1007M-100t(800H)	1,000× 700	800	100	310	135
OSDVIO-R-1206M-100t(800H)	1,200× 600	800	100	310	136
OSDVIO-R-1207M-100t(800H)	1,200× 700	800	100	290	154
OSDVIO-R-1209M-100t(800H)	1,200× 900	800	100	260	185
OSDVIO-R-1506M-100t(800H)	1,500× 600	800	100	390	182
OSDVIO-R-1507M-100t(800H)	1,500× 700	800	100	370	202
OSDVIO-R-1509M-200t(800H)	1,500× 900	800	200	310	264
OSDVIO-R-1510M-200t(800H)	1,500×1,000	800	200	290	279
OSDVIO-R-1512M-200t(800H)	1,500×1,200	800	200	240	324
OSDVIO-R-1515M-200t(800H)	1,500×1,500	800	200	180	391
OSDVIO-R-1806M-200t(800H)	1,800× 600	800	200	340	229
OSDVIO-R-1807M-200t(800H)	1,800× 700	800	200	320	249
OSDVIO-R-1809M-200t(800H)	1,800× 900	800	200	270	301
OSDVIO-R-1812M-200t(800H)	1,800×1,200	800	200	190	382
OSDVIO-R-1815M-200t(800H)	1,800×1,500	800	200	420	463
OSDVIO-R-2010M-200t(800H)	2,000×1,000	800	200	520	357
OSDVIO-R-2012M-200t(800H)	2,000×1,200	800	200	460	416
OSDVIO-R-2015M-200t(800H)	2,000×1,500	800	200	380	505
OSDVIO-R-2409M-300t(800H)	2,400× 900	800	300	440	448
OSDVIO-R-2412M-300t(800H)	2,400×1,200	800	300	320	573
OSDVIO-R-2415M-300t(800H)	2,400×1,500	800	300	200	696
OSDVIO-R-3009M-300t(800H)	3,000× 900	800	300	350	580
OSDVIO-R-3010M-300t(800H)	3,000×1,000	800	300	300	629
OSDVIO-R-3012M-300t(800H)	3,000×1,200	800	300	200	734
OSDVIO-R-3015M-300t(800H)	3,000×1,500	800	300	450	891
OSDVIO-R-3612M-300t(800H)	3,600×1,200	800	300	480	859
OSDVIO-R-3615M-300t(800H)	3,600×1,500	800	300	309	1046

Application Systems

Optics & Optical Coatings

Opto-Mechanics

Bases

Manual Stages

Actuators & Adjusters

Motoeized Stages

Light Sources & Laser Safety

Index

Guide

Vibration Isolation Systems

Optical Tables

Darkrooms/ Dark Boxes

Optical Bases

Posts

Brackets

Adapters

Tools