

**Fiber holders equipped with an adjustment mechanism for three axes including vertical, horizontal and focus direction. These holders can handle fibers with various connectors by replacing adapters.**

- The large slit on the adapter cylinder enables connection of various fiber connectors inside the adapter cylinder.
- It is capable of rotating the polarizing axis of a polarization-preserving fiber for 360 degrees. (See Attention)
- The focus adjustment lever of the 3-axis holder can move the tip of a fiber in the optical axis direction.
- Each adjustment mechanism of the 3-axis holder has a clamp mechanism to fix adjustment positions.
- Adapters compatible with the FC, SMA, and ST connectors of various fibers are available.



**Guide**

▶ Fiber holders equipped with tilt and rotational adjustment mechanisms (FOP-2, FOP-2-SMA) are also available.

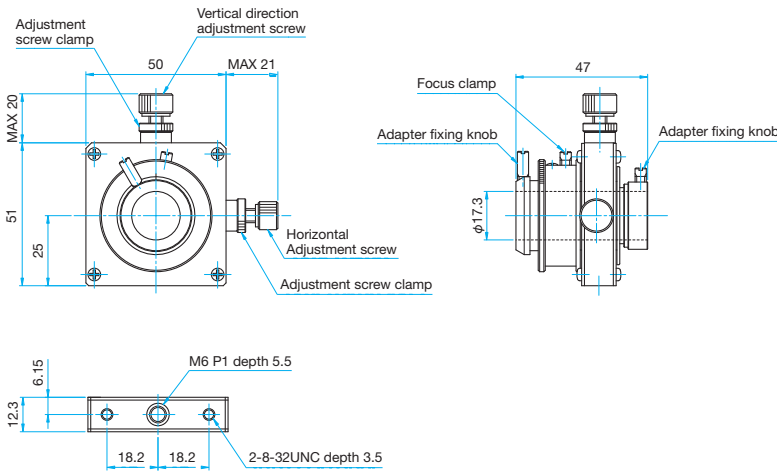
**Attention**

- ▶ Rotating the fiber chuck can cause displacement of the fiber core in the X and Y directions. When turning the chuck, fine adjustment of the XY axes of the holder may be required.
- ▶ Pulling a fiber cord hard may cause misalignment of the holder.
- ▶ Readjustment is necessary when the chuck is removed and reinstalled.
- ▶ For post mounting please purchase a post (PO) separately.

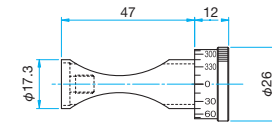


**Outline Drawing**

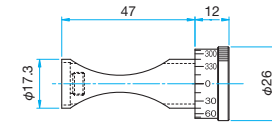
FOM-3 M6 P1



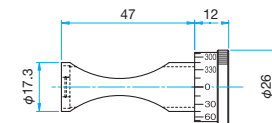
FOM-ADP-SMA



FOM-ADP-FC



FOM-ADP-ST

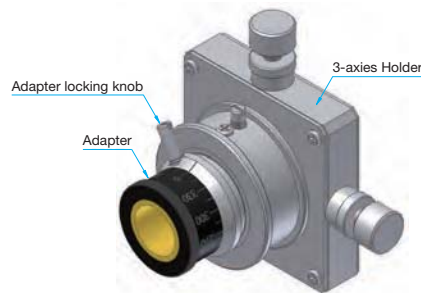


3-axis Holder					Primary material: Aluminum Finish: Black Anodized
Part Number	Options specified*	Centering Adjustment Range [mm]	Resolution [mm/rotation]	Focus Adjustment Range [mm]	Weight [kg]
FOM-3	UU	±2	0.25	±3	0.14

\* For specifying options, please refer to "Conversion of Posts, Post Holders and Pedestal Bases of Holders". Reference C007

Adapter			Primary material: Brass Finish: None
Part Number	Compatible Fiber Connector	Weight [kg]	
FOM-ADP-FC	FC	0.05	
FOM-ADP-SMA	SMA	0.05	
FOM-ADP-ST	ST	0.044	

**Attaching the adapter**



- ① Please connect a fiber connector into the adapter cylinder.
- ② Please insert the adapter into the 3-axis holder, and secure it by using the adapter locking knobs located on both ends of the 3-axis holder.

Application Systems

Optics & Optical Coatings

Opto-Mechanics

Bases

Manual Stages

Actuators & Adjusters

Motoeized Stages

Light Sources & Laser Safety

Index

Guide

Mirrors

Lenses

Prisms

Polarizers

Lasers

Beam Shaping Diffusers

Filters

Shutter

Others

Fiber