

# Beam Steering Holders Precision Beam Steering Assembly

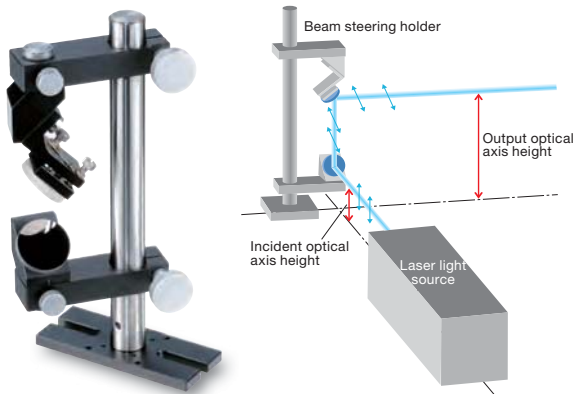
BSR  
BSRU

BSR

RoHS Catalog Code W4013

Beam steering mounts are designed to easily change the height and direction of laser beams.

- Length of the optional post (PO-20-\*\*\*\*) can be specified at the time of purchase. [WEB Reference](#) [Catalog Code](#) W6053
- Mirrors  $\phi 25\text{mm}$  or less with a thickness of 5mm can be bonded to the holder.
- The clamps can be coarsely adjusted when rotated 50 mm about the center post.
- Adjustment screws are provided on the output side of the mirror to fine tune the direction of the output beam.



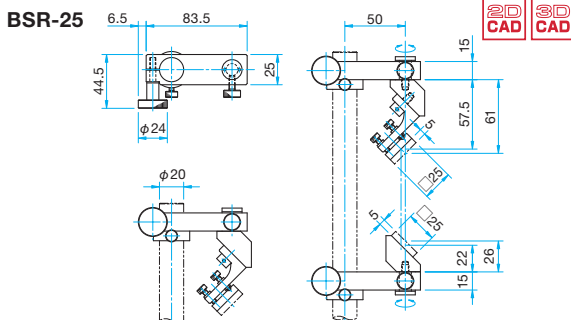
### Guide

- ▶ The photograph shows a typical configuration combining baseplate (BSP-40100), post (PO-20-200) and two mirrors (TFA-30C05-10).
- ▶ Adjustable mirror mounts in both locations are also available.

### Attention

- ▶ Depending on the direction reflected with the two mirrors, the polarization direction of the laser may change 90°. (See the illustration)
- ▶ RTV silicone adhesives are recommended to bond the optics.
- ▶ When you select this item, please note below points;
  - Incident optical axis height : higher than 58mm
  - Output optical axis height : higher than 20mm from the incident optical axis height
  - Length of posts : higher than 70mm from the output optical axis height

### Outline Drawing



### Specifications

Part Number	Compatible Optics Diameter [mm]	Compatible Optics Thickness [mm]	Primary material: Aluminum Finish: Black Anodized
			Weight* [kg]
BSR-25	$\square 25$ or less $\phi 25$ or less	3 – 5	0.4

\* Weight does not include the weight of posts and baseplates.

BSRU

RoHS Catalog Code W4014

Beam steering mounts are designed to easily and precisely change the height and direction of laser beams.

- The  $\phi 38.1\text{mm}$  dampened pole, and two holders are sold as a set.
- High stability is obtained from the damping properties of the poles and the rigidity of the holders.
- Use the optional mirror ( $\phi 30\text{mm}$ , thickness 5mm) by bonding it to the holder.
- The mirror holders can be coarsely adjusted 75 mm about the pole.
- Adjustment screws are provided on the output side of the holders to tilt the mirror, and angle adjustment of the output beam can be performed.



### Attention

- ▶ For best results, use on a laboratory or vibration isolating table.

### Specifications

Part Number	Compatible Optics Diameter [mm]	Compatible Optics Thickness [mm]	Strut material: Stainless steel, Finish: None Control part primary material: Aluminum, Finish: Black Anodized		Weight [kg]
			A [mm]	B [mm]	
BSRU-177	$\phi 30$	5	177.8	33 – 40	3
BSRU-355	$\phi 30$	5	355.6	33 – 220	4.6

### Outline Drawing

BSRU-177/355

Hexagon socket head cap screw M6x15...4 screws

