

Application Systems

Optics & Optical Coatings

Opto-Mechanics

Bases

Manual Stages

Actuators & Adjusters

MotORIZED Stages

Light Sources & Laser Safety

Index

Guide

Mirrors

Lenses

Prisms

Polarizers

Lasers

Beam Shaping Diffusers

Filters

Shutter

Others

Fiber

Rectangular mirrors can be bonded to the front plate and circular mirrors can be bonded or held with the mirror adapters (MKAD).

- MKAD adapters allow for easy removal and mounting of circular mirrors.
- Two baseplate versions are available. MMHN-25L type has the mounting holes on the mirror side, and MMHN-25R type has mounting on the adjustment screw side.
- To align the reflective surface of the mirror to the mounting post axis use MMHN-25LRO mirror holders.



**Guide**

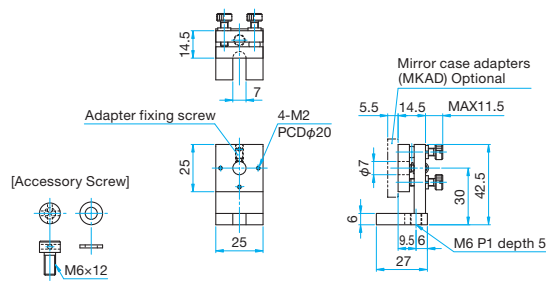
▶ 25mm square aluminum flat mirrors (TFA-25S05-10) are available.  
[WEB Reference](#) [Catalog Code](#) W3403

**Attention**

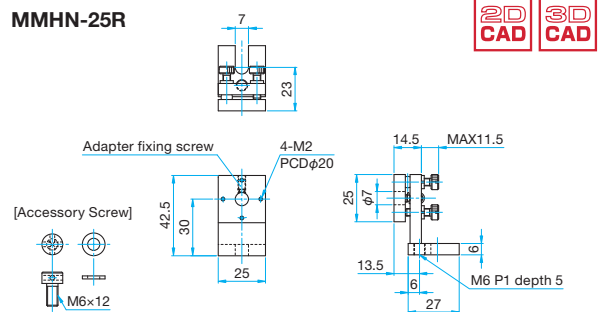
▶ The adjustment is not along the reflective surface of the mirror. Gimbal mirror holders (MHAN) have the adjustment along the reflective surface the mirrors. [Reference](#) C024

**Outline Drawing**

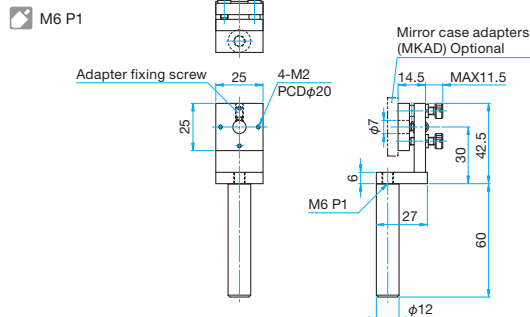
**MMHN-25L**



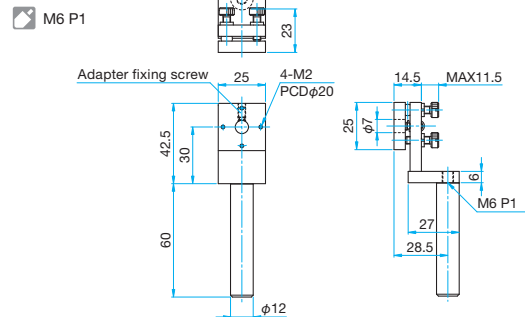
**MMHN-25R**



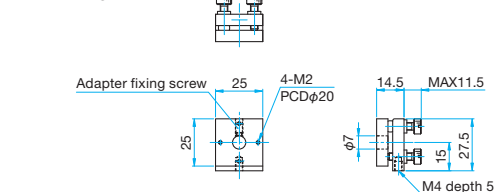
**MMHN-25LRO**



**MMHN-25RRO**



**MMHN-25BN**



Specifications		Primary material: Aluminum Finish: Black Anodized					
Part Number	Options specified*	Compatible Optics Diameter [mm]	Adjustment Range		Resolution		Weight [kg]
			Tilt [°]	Rotation [°]	Tilt [°/rotation]	Rotation [°/rotation]	
MMHN-25L	EE/UU	□25 or less φ25 or less	±5	±5	about 0.9	about 0.9	0.04
MMHN-25R	EE/UU		±5	±5	about 0.9	about 0.9	0.04
MMHN-25LRO	—		±5	±5	about 0.9	about 0.9	0.09
MMHN-25RRO	—		±5	±5	about 0.9	about 0.9	0.09
MMHN-25BN	—		±5	±5	about 0.9	about 0.9	0.03

\* For specifying options, please refer to "Conversion of Posts, Post Holders and Pedestal Bases of Holders". Reference C007

Application Systems

Optics & Optical Coatings

Opto-Mechanics

**Option** Mirror Adapters | MMHN-MAD

RoHS Catalog Code W4133



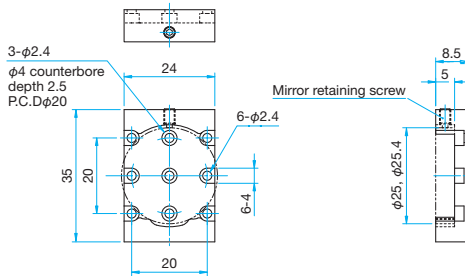
Can be used to change the mounting position of mirrors relative to the mirror holder.

- Round and rectangular reflective optics can be fixed.
- With nine fixed screw holes with 10mm interval, can easily achieve 10mm offset adjustment.
- The optics can be held at three points on the side.

Outline Drawing

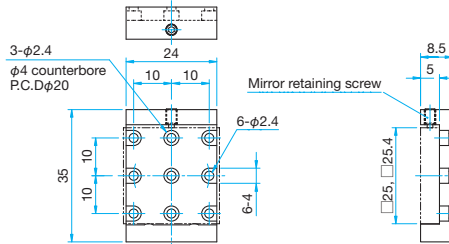
MMHN-25CMAD

Hexagonal socket head cap screw M2x3...3 screw



MMHN-25SMAD

Hexagonal socket head cap screw M2x3...3 screw



Specifications		Primary material: Aluminum Finish: Black Anodized	
Part Number	Compatible Optics Dimensions [mm]	Weight [kg]	
MMHN-25CMAD	φ25, φ25.4	0.01	
MMHN-25SMAD	□25, □25.4	0.01	

**Option** Mirror Cells | MKAD

RoHS Catalog Code W4122

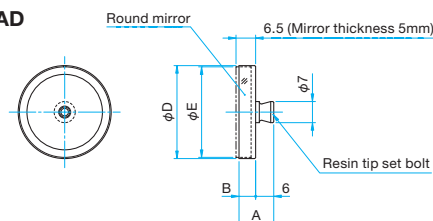
Mirror cells provide a method of mounting mirrors in compact mirror holders (MMHN-25) without adhesive.

- A split from provides a spring force to maintain a secure grip on mirrors inserted into these cells.
- To remove the mirror, push the mirror out by turning the M4 resin tipped setscrew clockwise.



Outline Drawing

MKAD



Specifications		Primary material: Aluminum Finish: Black Anodized					
Part Number	Compatible Optics Diameter [mm]	A [mm]	B [mm]	Min Mirror Thickness [mm]	φD [mm]	φE [mm]	Weight [kg]
MKAD-12.7	φ12.7	10.5	4.5	3	φ13.4	φ12.7 <sup>+0.15</sup> <sub>-0.1</sub>	0.002
MKAD-19.05	φ19.1	12	6	4.5	φ19.9	φ19.1 <sup>+0.15</sup> <sub>-0.1</sub>	0.003
MKAD-25.4	φ25.4	11.5	5.5	4	φ26.1	φ25.4 <sup>+0.15</sup> <sub>-0.1</sub>	0.005
MKAD-30	φ30	11.5	5.5	4	φ30.8	φ30 <sup>+0.15</sup> <sub>-0.1</sub>	0.006

Bases

Manual Stages

Actuators & Adjusters

Motoeized Stages

Light Sources & Laser Safety

Index

Guide

Mirrors

Lenses

Prisms

Polarizers

Lasers

Beam Shaping Diffusers

Filters

Shutter

Others

Fiber