

Top adjust mirror holders can be used in small areas reducing the footprint of systems.

- Mirrors are held on their edge with a resin screw.
- These holders can be positioned and operated close to each other.



Guide

► Vertical control gimbal mirror and beamsplitter holders (BSHL) where the adjustment is along the reflective surface of the mirror are available too. [Reference](#) C022

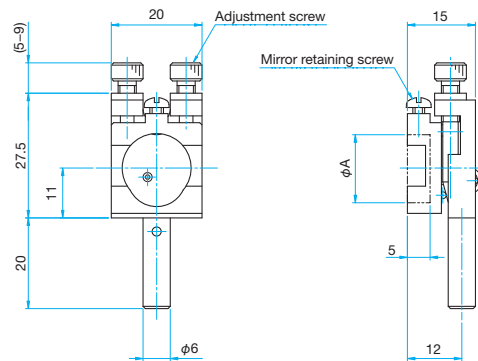
Attention

- Mirror thickness will change the position of the reflective surface of the mirror.
- The front surface of the mount is 12 mm from the center axis of the post/mounting hole.



Outline Drawing

LMMH-R M4 P0.7



Specifications								Primary material: Aluminum Finish: Black Anodized
Part Number	Options specified*	Compatible Optics Diameter ϕA [mm]	Compatible Optics Thickness [mm]	Adjustment Range		Resolution		Weight [kg]
				Tilt [°]	Rotation [°]	Tilt [°/rotation]	Rotation [°/rotation]	
LMMH-10R	N	$\phi 10$	5	± 2.5	± 2.5	about 0.28	about 0.3	0.03
LMMH-12.7R	N	$\phi 12.7$	5	± 2.5	± 2.5	about 0.28	about 0.3	0.03
LMMH-15R	N	$\phi 15$	5	± 2.5	± 2.5	about 0.28	about 0.3	0.03

* For specifying options, please refer to "Conversion of Posts, Post Holders and Pedestal Bases of Holders". [Reference](#) C007

Application Systems

Optics & Optical Coatings

Opto-Mechanics

Bases

Manual Stages

Actuators & Adjusters

MotORIZED Stages

Light Sources & Laser Safety

Index

Guide

Mirrors

Lenses

Prisms

Polarizers

Lasers

Beam Shaping Diffusers

Filters

Shutter

Others

Fiber