

Objective Lens Holders | LHO

RoHS Catalog Code W4024

Application Systems
Optics & Optical Coatings

Opto-Mechanics

Bases
Manual Stages
Actuators & Adjusters
Motorized Stages
Light Sources & Laser Safety

Index

Guide
Mirrors
Lenses
Prisms
Polarizers
Lasers
Beam Shaping Diffusers
Filters
Shutter
Others
Fiber

Used to objective lenses in optical experiments.

- Female threads fit a wide range of OptoSigma threads. See the compatibility table for appropriate combinations.
- There are two styles of objective holder mounts. Both have M20.32 threads. One is the standard type (LHO-20.32) that allows placement of targets in close proximity to lenses, and the other is the hooded type (LHO-20.32A) that blocks stray light.
- The images from the objectives will be stable due to the rigidity of the mount.



Guide

- ▶ Post length can be changed by specifying the post length when you place an order. We may charge the difference in price depending on the length. Contact our Sales Division for more information.
- ▶ Adapters, TAT-180A, adjust the center of objective lenses. A two-axis pinhole/objective holder (TAT) is also available.

Reference C062

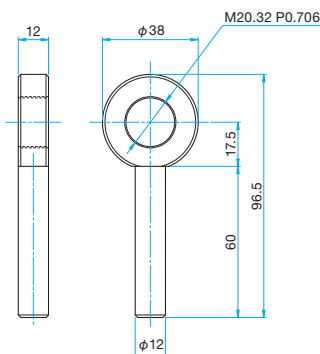
Attention

- ▶ Thread compatibility with non OptoSigma threads is not guaranteed.
- ▶ A translation stage can be used under the objective holder for fine focus adjustment.

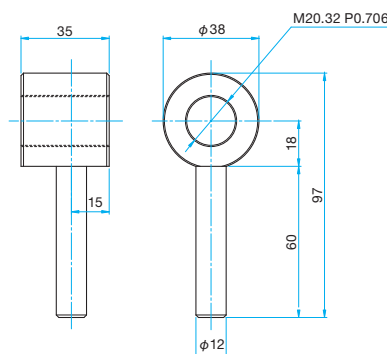


Outline Drawing

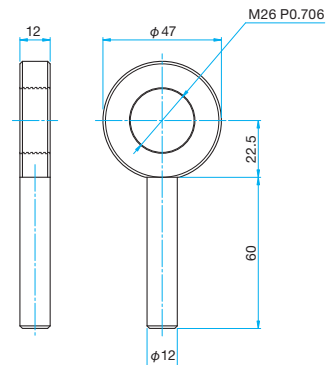
LHO-20.32 M6 P1



LHO-20.32A M6 P1



LHO-26 M6 P1



Specifications		Primary material: Aluminum Finish: Black Anodized
Part Number	Options specified*	Weight [kg]
LHO-20.32	N/EE/UU	0.08
LHO-20.32A	N/UU	0.13
LHO-26	N/UU	0.09

* For specifying options, please refer to "Conversion of Posts, Post Holders and Pedestal Bases of Holders".
Reference C007

Example of Use

