

Used to mount multi-element focusing lenses in optical experiments.

- Female threads fit a wide range of OptoSigma threads. See the compatibility table for appropriate combinations.



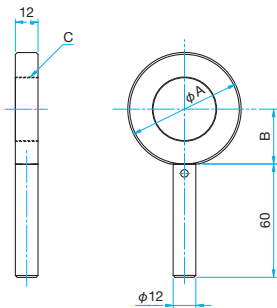
Guide

- The focusing lenses family is ATL/NADL, etc.
 - [WEB Reference](#) [Catalog Code](#) W3078
- For cover glass and cover glass holders, refer to Protective Windows / Protective Window Holders.
 - [WEB Reference](#) [Catalog Code](#) W3081
- Post length can be changed by specifying the post length when you place an order. We may charge the difference in price depending on the length. Contact our Sales Division for more information.

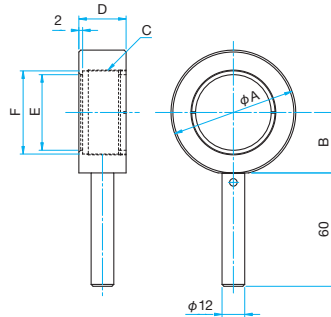


Outline Drawing

LHF-M M6 P1



LHF-UDL M6 P1



Example of Use



Specifications

Primary material: Aluminum
Finish: Black Anodized

Part Number	Options specified*	φA [mm]	B [mm]	C	D [mm]	E [mm]	F [mm]	Weight [kg]
LHF-M29-25	N/UU	φ56	27	M29 P0.75	—	—	—	0.11
LHF-M34-30	N/UU	φ60	29	M34 P0.75	—	—	—	0.11
LHF-M50.9-50	N/UU	φ70	34	M50.9 P0.75	—	—	—	0.11
LHF-UDL-30	N/UU	φ56	27	M34.85 P0.75	23	30	34	0.15
LHF-UDL-40	N/UU	φ66	32	M44.85 P0.75	25	40	44	0.18
LHF-UDL-50	N/UU	φ76	37	M54.85 P0.75	28	50	54	0.22

* For specifying options, please refer to "Conversion of Posts, Post Holders and Pedestal Bases of Holders". [Reference](#) C007

Compatibility Table for Focusing Lenses

Focusing Lens Part Number	Catalog Code	Cover Glass	Cover Glass Holder	Compatible Holders
Visible Spectrum Achromats				
ATL-30-40PY2	WEB Reference Catalog Code W3078	PG-33	PGH-36	LHF-M34-30
ATL-30-50PY2				
ATL-30-60PY2				
NADL-30-80PY2				
NADL-30-100PY2				
NADL-30-150PY2				
YAG Laser Focusing Lenses				
NYTL-25-20PY1	WEB Reference Catalog Code W3079	PG-21	PGH-24	LHF-M29-25
NYTL-30-30PY1		PG-27	PGH-30	LHF-M34-30
NYTL-30-40PY1				
NYTL-30-50PY1				
NYDL-30-60PY1		PG-33	PGH-36	LHF-M34-30
NYDL-30-80PY1				
NYDL-30-100PY1				
NYDL-30-150PY1				
Focusing Lenses for Fiber Laser				
HFTLSQ-15-20PF1	WEB Reference Catalog Code W3080	PG-21	PGH-24	Special adapter + LHF-M29-25
HFTLSQ-20-30PF1		PG-27	PGH-30	Special adapter + LHF-M34-30
HFTLSQ-30-40PF1				
HFTLSQ-30-50PF1				
HFTLSQ-30-60PF1		PG-33	PGH-36	LHF-M34-30
HFTLSQ-30-80PF1				
HFTLSQ-30-100PF1				
HFDLSQ-30-150PF1				
HFTLSQ-50-100PF1	X	X	LHF-M50.9-50	
HFDLSQ-50-200PF1				
HFDLSQ-50-300PF1				

Focusing Lens Part Number	Catalog Code	Cover Glass	Cover Glass Holder	Compatible Holders
Excimer Laser Focusing Lenses				
ETL-30-40P	WEB Reference Catalog Code W3082	PG-33	PGH-36	LHF-M34-30
ETL-30-50P				
ETL-30-60P				
ETL-30-80P				
NEDL-30-100P				
NEDL-30-150P				
NEDL-30-200P	X	X	X	LHF-M50.9-50
EDL-50-100P				
EDL-50-150P				
EDL-50-200P				
EDL-50-250P				
EDL-50-300P				
Ultraviolet Achromats				
UDL-30-50P	WEB Reference Catalog Code W3083	X	X	LHF-UDL-30
UDL-30-80P				
UDL-30-100P				
NUDL-30-150P				
NUDL-30-200P				
UDL-40-80P				
NUDL-40-100P	X	X	X	LHF-UDL-40
NUDL-40-150P				
NUDL-40-200P				
NUDL-40-250P				
UDL-50-100P				
NUDL-50-150P				
NUDL-50-200P	X	X	X	LHF-UDL-50
NUDL-50-250P				
NUDL-50-300P				