

Mounts for rectangular optics.

- The space saving sliding clamp allows optics to be placed in close proximity. The top and bottom of the lens mounting area is made of cork to prevent lenses from slipping.



Guide

- ▶ Post length can be changed by specifying the post length when you place an order. We may charge the difference in price depending on the length. Contact our Sales Division for more information.

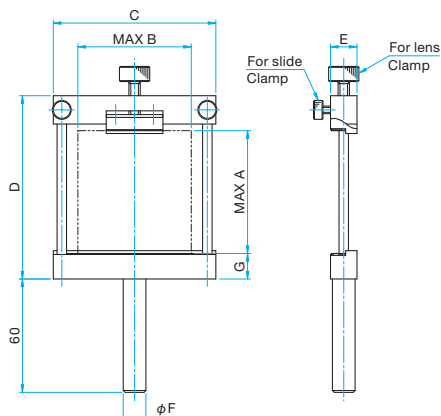
Attention

- ▶ Make sure to tighten the slide clamps along the two poles before tightening the lens clamp.
- ▶ Not recommended for round lenses. Use LHA [Reference](#) C044

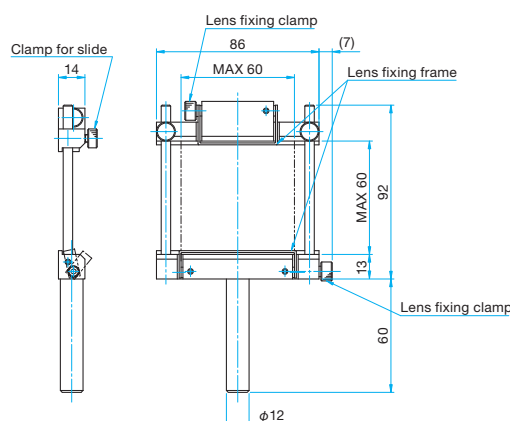


Outline Drawing

CHA M6 P1



CHA-60F M6 P1



Normal Type										Primary material: Aluminum Finish: Black Anodized
Part Number	Options specified*	Compatible Optics Thickness [mm]	Compatible Optics Dimensions		C [mm]	D [mm]	E [mm]	φF [mm]	G [mm]	Weight [kg]
			MAX A [mm]	MAX B [mm]						
CHA-25	N/EE/UU	MAX6.5	30	25	40	45	12	φ12	9	0.1
CHA-60	N/EE/UU	MAX7.5	65	60	86	93	14	φ12	13.5	0.2
CHA-130	—	MAX7.5	55	130	160	82	14	φ20	12.5	0.5

* For specifying options, please refer to "Conversion of Posts, Post Holders and Pedestal Bases of Holders". [Reference](#) C007

Flexible Type						Primary material: Aluminum Finish: Black Anodized
Part Number	Options specified*	Compatible Optics Thickness [mm]	Compatible Optics Dimensions		Weight [kg]	
			MAX (vertical) [mm]	MAX (horizontal) [mm]		
CHA-60F	N/UU	MAX9.5	60	60	0.19	

* For specifying options, please refer to "Conversion of Posts, Post Holders and Pedestal Bases of Holders". [Reference](#) C007

Application Systems

Optics & Optical Coatings

Opto-Mechanics

Bases

Manual Stages

Actuators & Adjusters

MotORIZED Stages

Light Sources & Laser Safety

Index

Guide

Mirrors

Lenses

Prisms

Polarizers

Lasers

Beam Shaping Diffusers

Filters

Shutter

Others

Fiber