

Small Lens Claws | MLH

RoHS Catalog Code W4021

Mounts designed to hold small diameter lenses of $\phi 15\text{mm}$ or less.

- The spring-loaded arm holds the lenses.
- MLH-10 allows small lenses to be held close to each other.
- MLH-10 can be installed with cross clamps (CCHN). [▶ WEB Reference](#) **Catalog Code** W6054



Guide

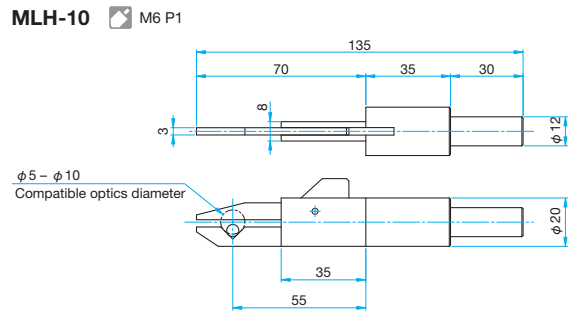
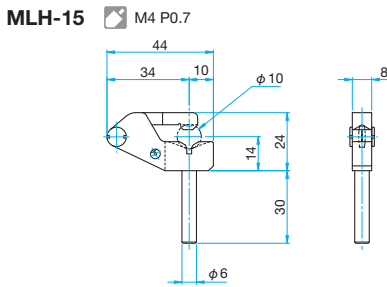
- ▶ Micro Lens Claws (MLH-SF) are available for micro lenses with diameter of $\phi 5\text{mm}$ or less. [Reference](#) C047
- ▶ Post length can be changed by specifying the post length when you place an order. We may charge the difference in price depending on the length. Contact our Sales Division for more information.

Attention

- ▶ Different diameters affect the center point of the lens in relation to the optical axis..
- ▶ To mount a lens in MLH-10: place the lens on a flat surface and gently release the clamp to secure the lens.



Outline Drawing



Specifications			Primary material: Aluminum Finish: Black Anodized
Part Number	Compatible Optics Diameter [mm]	Compatible Optics Thickness [mm]	Weight [kg]
MLH-15	$\phi 5 - \phi 15$	1 - 6	0.02

Specifications			Primary material: Aluminum Finish: Black Anodized
Part Number	Compatible Optics Diameter [mm]	Weight [kg]	
MLH-10	$\phi 5 - \phi 10$	0.15	

Application Systems

Optics & Optical Coatings

Opto-Mechanics

Bases

Manual Stages

Actuators & Adjusters

MotORIZED Stages

Light Sources & Laser Safety

Index

Guide

Mirrors

Lenses

Prisms

Polarizers

Lasers

Beam Shaping Diffusers

Filters

Shutter

Others

Fiber