

Designed to hold lenses with a range of diameters at a consistent center height. Best used in applications where different diameter lenses are swapped out often.

- The three jaws of the holder will clamp edge of the lenses with spring pressure.
- Squeezing the levers towards each other will open the three jaws. Releasing the levers will close the jaws.
- The position of the three jaws is locked by tightening the clamp.



Guide

- ▶ Post length can be changed. If the length of post is specified at the time of purchase, this product will be delivered after replacing posts.
- ▶ Post length can be changed by specifying the post length when you place an order. We may charge the difference in price depending on the length. Contact our Sales Division for more information.

Attention

- ▶ Thin lenses may tilt and fall out from the holders when they are held with excessive spring pressure.
- ▶ ALHN lens holders are recommended when precise lens manipulation is required. [Reference](#) C042

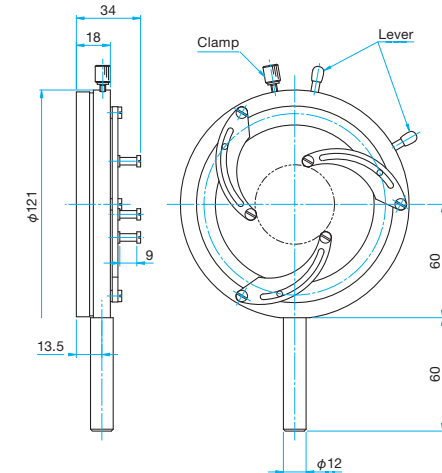
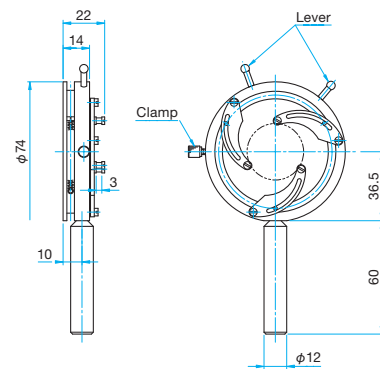
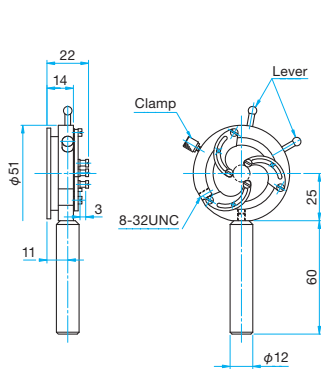


Outline Drawing

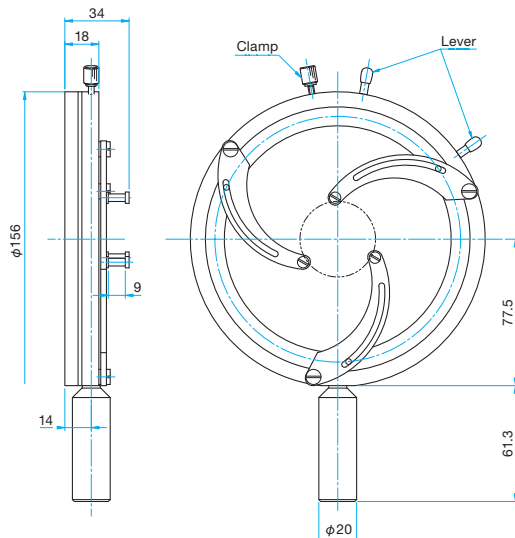
SLH-25 M4 P0.7 with taper

SLH-50 M4 P0.7 with taper

SLH-80 M6 P1



SLH-120 M6 P1 with taper



Specifications				Primary material: Aluminum Finish: Black Anodized
Part Number	Options specified*	Compatible Optics Diameter [mm]	Compatible Optics Thickness [mm]	Weight [kg]
SLH-25	EE/UU	φ5 – φ25	1 – 3	0.10
SLH-50	—	φ30 – φ50	1 – 3	0.15
SLH-80	EE/UU	φ25 – φ80	1 – 9	0.35
SLH-120	—	φ40 – φ110	1 – 9	0.70

* For specifying options, please refer to "Conversion of Posts, Post Holders and Pedestal Bases of Holders". [Reference](#) C007

Application Systems

Optics & Optical Coatings

Opto-Mechanics

Bases

Manual Stages

Actuators & Adjusters

Motoeized Stages

Light Sources & Laser Safety

Index

Guide

Mirrors

Lenses

Prisms

Polarizers

Lasers

Beam Shaping Diffusers

Filters

Shutter

Others

Fiber