

Multi-axis lens holders are a convenient way to align a lens to the optical axis. These plate-type holders mount securely and provide a stable low optical axis.

- Five-axis adjustment type (ALHN-5) allows lens tilt adjustment for applications where achieving the best possible focusing is required.
- Lens focus adjustment is done by rotating the lens tube with the lever, moving the position of the lens forward or backward.
- The XY centering adjustments include locking nuts and the focus adjustment includes a locking screw.
- In addition to single lenses, thick lenses or combined lens tubes up to thickness 28mm can be mounted directly in the holder.



Guide

- ▶ Two axis lens holders (LHCM) without focus adjustment function are also available. [Reference](#) ▶ C040
- ▶ Two Axis lens holders (LHCM) for lenses $\phi 20\text{mm}$ or less are also available.
- ▶ Please contact our Sales Division if you require a specific optical axis height.

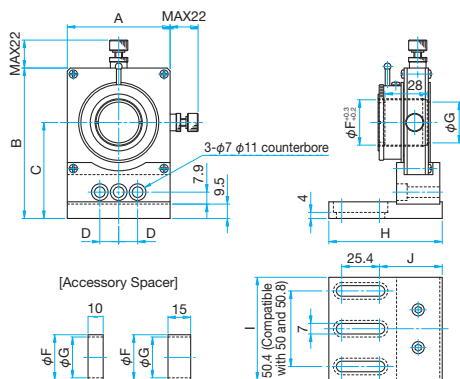
Attention

- ▶ Two spacers are included with these mounts to allow positioning of the lens within the lens tube.
- ▶ When the focal length of lens is long, adjustment does not work effectively because the focus adjustment range is too narrow. In such a case, please use the dovetail stages or optical benches.

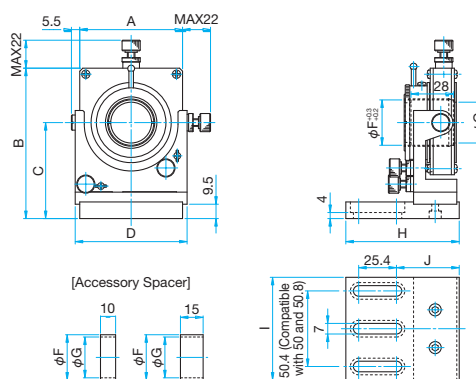


Outline Drawing

ALHN-3 Hexagonal socket head cap screw M6x10...3 screws



ALHN-5 Hexagonal socket head cap screw M6x10...3 screws



Part Number	A (mm)	B (mm)	C (mm)	D (mm)	ϕF (mm)	ϕG (mm)	H (mm)	I (mm)	J (mm)
ALHN-25-3	68	99.5	63.5	12.5	$\phi 25$	$\phi 22$	75	68	41.3
ALHN-25.4-3	68	99.5	63.5	12.5	$\phi 25.4$	$\phi 22$	75	68	41.3
ALHN-30-3	68	99.5	63.5	12.5	$\phi 30$	$\phi 27$	75	68	41.3
ALHN-50-3	88	122.2	76.2	25	$\phi 50$	$\phi 46$	95	75	59.8
ALHN-50.8-3	88	122.2	76.2	25	$\phi 50.8$	$\phi 46$	95	75	59.8

Part Number	A (mm)	B (mm)	C (mm)	D (mm)	ϕF (mm)	ϕG (mm)	H (mm)	I (mm)	J (mm)
ALHN-25-5	68	99.5	63.5	74	$\phi 25$	$\phi 22$	75	68	41.3
ALHN-25.4-5	68	99.5	63.5	74	$\phi 25.4$	$\phi 22$	75	68	41.3
ALHN-30-5	68	99.5	63.5	74	$\phi 30$	$\phi 27$	75	68	41.3
ALHN-50-5	88	122.2	76.2	94	$\phi 50$	$\phi 46$	95	75	59.8
ALHN-50.8-5	88	122.2	76.2	94	$\phi 50.8$	$\phi 46$	95	75	59.8

Three-axis Plate Type							Primary material: Aluminum Finish: Black Anodized
Part Number	Compatible Optics Diameter [mm]	Compatible Optics Thickness [mm]	Centering Adjustment Range [mm]	Centering Adjustment Resolution [mm/rotation]	Focus Adjustment Range [mm]	Weight [kg]	
ALHN-25-3	$\phi 25$	0 - 28	$\phi 6$	0.25	± 3	0.49	
ALHN-25.4-3	$\phi 25.4$	0 - 28	$\phi 6$	0.25	± 3	0.49	
ALHN-30-3	$\phi 30$	0 - 28	$\phi 6$	0.25	± 3	0.49	
ALHN-50-3	$\phi 50$	0 - 28	$\phi 6$	0.25	± 3	0.78	
ALHN-50.8-3	$\phi 50.8$	0 - 28	$\phi 6$	0.25	± 3	0.78	

Five-axis Plate Type										Primary material: Aluminum Finish: Black Anodized
Part Number	Compatible Optics		Centering Adjustment		Tilt Range		Tilt Resolution		Focus Adjustment Range [mm]	Weight [kg]
	Diameter [mm]	Thickness [mm]	Range [mm]	Resolution [mm/rotation]	Tilt [°]	Rotation [°]	Tilt [°/rotation]	Rotation [°/rotation]		
ALHN-25-5	$\phi 25$	0 - 28	$\phi 6$	0.25	± 4	± 4	about 0.5	about 0.5	± 3	0.5
ALHN-25.4-5	$\phi 25.4$	0 - 28	$\phi 6$	0.25	± 4	± 4	about 0.5	about 0.5	± 3	0.5
ALHN-30-5	$\phi 30$	0 - 28	$\phi 6$	0.25	± 4	± 4	about 0.5	about 0.5	± 3	0.5
ALHN-50-5	$\phi 50$	0 - 28	$\phi 6$	0.25	± 3	± 3	about 0.36	about 0.36	± 3	0.75
ALHN-50.8-5	$\phi 50.8$	0 - 28	$\phi 6$	0.25	± 3	± 3	about 0.36	about 0.36	± 3	0.75