

Two Axis Lens Holders | LHCM

RoHS Catalog Code W4512

Two-axis lens holders with compact centering mechanism.

The compact centering adjustment mechanism makes a low optical axis easy to accommodate . Can be used for adjusting the focus point of a laser beam or the direction of a collimated beam.

- For Lens diameters from 10mm to 50.8mm.
- Deep enough to hold thick achromatic lenses.
- The thin frame allows optics to be placed close to the front and back of the lens.

Application Systems

Optics & Optical Coatings

Opto-Mechanics

Bases

Manual Stages

Actuators & Adjusters

MotORIZED Stages

Light Sources & Laser Safety

Index

Guide

Mirrors

Lenses

Prisms

Polarizers

Lasers

Beam Shaping Diffusers

Filters

Shutter

Others

Fiber



Guide

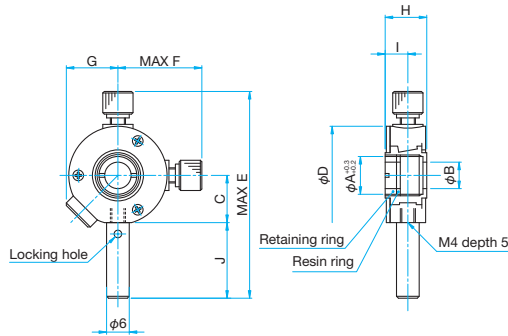
- ▶ Can be mounted on a dovetail stage or a micrometer adjustment stage to allow focus adjustment. Contact our Sales Division for recommendations regarding appropriate stages.
- ▶ Three-axis lens holders (ALHN-3RO) with high resolution lens centering adjustment and lockable adjusters are also available. [Reference](#) C042
- ▶ Five-axis lens holders (ALHN-5RO) with additional tip and tilt adjustments are also available. [Reference](#) C042
- ▶ Post length can be changed by specifying the post length when you place an order. Replacement of the post is free of charge, but we may charge the difference in price depending on the length. Contact our Sales Division for more information.

Attention

- ▶ The adjustment mechanism may not work properly when something heavy other than a lens is mounted.

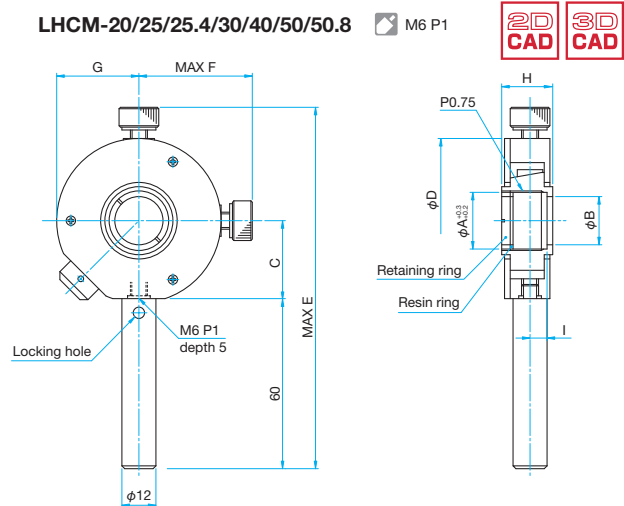
Outline Drawing

LHCM-10/12.7/15 M4 P0.7



Part Number	φD (mm)	MAX E (mm)	MAX F (mm)	G (mm)	H (mm)	I (mm)	J (mm)
LHCM-10	φ26	57	24	14	11	6	20
LHCM-12.7	φ41	83	32	22	13	7	30
LHCM-15	φ41	83	32	22	13	7	30

LHCM-20/25/25.4/30/40/50/50.8 M6 P1



Part Number	φD (mm)	MAX E (mm)	MAX F (mm)	G (mm)	H (mm)	I (mm)
LHCM-20	φ58	130	42	29	18	6
LHCM-25	φ64	137	46	32	18	6
LHCM-25.4	φ64	137	46	32	18	6
LHCM-30	φ64	137	46	32	18	6
LHCM-40	φ78	150	52	39	20	7
LHCM-50	φ88	160	57	44	20	7
LHCM-50.8	φ88	160	57	44	20	7

Specifications

Part Number	Options specified*	Compatible Optics Diameter φA [mm]	Compatible Optics Thickness t [mm]	Clear Aperture φB [mm]	Optical Axis Height C [mm]	Centering Adjustment Range [mm]	Weight [kg]
LHCM-10	N	φ10	1 – 6	φ7	12.5	φ1	0.03
LHCM-12.7	N	φ12.7	1 – 8	φ10	20	φ2	0.05
LHCM-15	N	φ15	1 – 8	φ12	20	φ2	0.05
LHCM-20	N/EE/UU	φ20	2 – 12	φ17	27.5	φ3	0.27
LHCM-25	N/EE/UU	φ25	2 – 12	φ22	30	φ3	0.28
LHCM-25.4	N/EE/UU	φ25.4	2 – 12	φ22	30	φ3	0.28
LHCM-30	N/EE/UU	φ30	2 – 12	φ27	30	φ3	0.28
LHCM-40	N/EE/UU	φ40	2 – 14	φ36	37.5	φ3	0.31
LHCM-50	N/EE/UU	φ50	2 – 14	φ46	42.5	φ3	0.36
LHCM-50.8	N/EE/UU	φ50.8	2 – 14	φ46	42.5	φ3	0.36

* For specifying options, please refer to "Conversion of Posts, Post Holders and Pedestal Bases of Holders". [Reference](#) C007

Primary material: Aluminum
Finish: Black Anodized