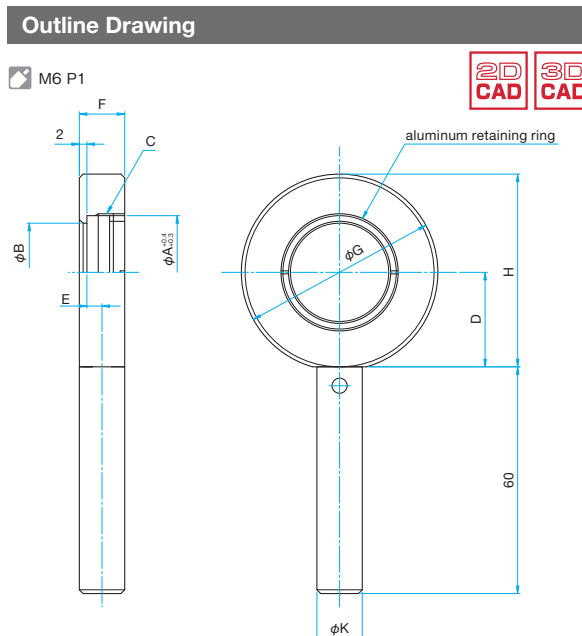


It can firmly fix from a thin single lens to a thick acromatic lens. Since the outer diameter of the holder is large, it has an effect on blocking stray light.

- For large diameter lenses over 80mm, “A type” holders are available for thick lenses .



Guide

- ▶ Post length can be changed by specifying the post length when you place an order. Replacement of the post is free of charge, but we may charge the difference in price depending on the length. Contact our Sales Division for more information.
- ▶ Thin frame lens holders (LHF-S). [Reference](#) C038
- ▶ Lens holder with rotation center adjustment (LHCM) is also available. [Reference](#) C040

Standards											Primary material: Aluminum Finish: Black Anodized
Part Number	Options specified*	Diameter φA [mm]	Thickness [mm]	Clear Aperture φB [mm]	C	Optical Axis Height D [mm]	E [mm]	F [mm]	φG [mm]	φK [mm]	Weight [kg]
LHF-10	EE/UU	φ10	3 – 6	φ7	M10.85 P0.75	15	4	12	φ32	φ12	0.07
LHF-15	EE/UU	φ15	3 – 10	φ12	M15.85 P0.75	20	5	16	φ42	φ12	0.07
LHF-20	EE/UU	φ20	3 – 12	φ17	M20.85 P0.75	20	7	18	φ42	φ12	0.09
LHF-25	EE/UU	φ25	3 – 10	φ21	M26.25 P0.75	25	6	16	φ52	φ12	0.1
LHF-25.4	EE/UU	φ25.4	3 – 6	φ22	M26.25 P0.75	25	4	12	φ52	φ12	0.09
LHF-30	EE/UU	φ30	3 – 6	φ26	M30.85 P0.75	25	4	12	φ52	φ12	0.09
LHF-30A	EE/UU	φ30	3 – 12	φ26	M30.85 P0.75	25	7	18	φ52	φ12	0.11
LHF-38.1	EE/UU	φ38.1	3 – 12	φ34	M38.95 P0.75	30	7	18	φ62	φ12	0.13
LHF-40	EE/UU	φ40	3 – 12	φ36	M40.85 P0.75	30	7	18	φ62	φ12	0.13
LHF-40A	EE/UU	φ40	4 – 14	φ36	M40.85 P0.75	30	8	20	φ62	φ12	0.14
LHF-50	EE/UU	φ50	3 – 12	φ45	M50.85 P0.75	35	7	18	φ72	φ12	0.14
LHF-50A	EE/UU	φ50	4 – 18	φ45	M50.85 P0.75	35	10	24	φ72	φ12	0.17
LHF-50.8	EE/UU	φ50.8	3 – 12	φ46	M51.65 P0.75	35	7	18	φ72	φ12	0.14
LHF-52	EE/UU	φ52	3 – 15	φ47	M52.85 P0.75	40	8.5	21	φ82	φ12	0.18
LHF-60	EE/UU	φ60	3 – 15	φ55	M60.85 P0.75	40	8.5	21	φ82	φ12	0.18
LHF-60A	EE/UU	φ60	4 – 21	φ55	M60.85 P0.75	40	11.5	27	φ82	φ12	0.21

\* For specifying options, please refer to “Conversion of Posts, Post Holders and Pedestal Bases of Holders”. [Reference](#) C007

Large Lens											Primary material: Aluminum Finish: Black Anodized
Part Number	Options specified*	Diameter φA [mm]	Thickness [mm]	Clear Aperture φB [mm]	C	Optical Axis Height D [mm]	E [mm]	F [mm]	φG [mm]	φK [mm]	Weight [kg]
LHF-80	EE/UU	φ80	3 – 15	φ73	M81.1 P1	50	8.5	21	φ102	φ20	0.31
LHF-80A	N	φ80.4	4 – 23	φ73	M81.1 P1	50	12.5	29	φ102	φ20	0.37
LHF-100	EE/UU	φ100	4 – 18	φ93	M101.1 P1	60	11	26	φ122	φ20	0.39
LHF-100A	N	φ100	4 – 22	φ93	M101.1 P1	60	13	30	φ122	φ20	0.42
LHF-130	N	φ130	4 – 18	φ122	M131.1 P1	75	11	26	φ152	φ20	0.45
LHF-150	N	φ150	5 – 20	φ142	M151.1 P1	85	12	28	φ171	φ20	0.62

\* For specifying options, please refer to “Conversion of Posts, Post Holders and Pedestal Bases of Holders”. [Reference](#) C007

Application Systems

Optics & Optical Coatings

Opto-Mechanics

Bases

Manual Stages

Actuators & Adjusters

MotORIZED Stages

Light Sources & Laser Safety

Index

Guide

Mirrors

Lenses

Prisms

Polarizers

Lasers

Beam Shaping Diffusers

Filters

Shutter

Others

Fiber