

Prism Holders | KKD/PLH/PAD

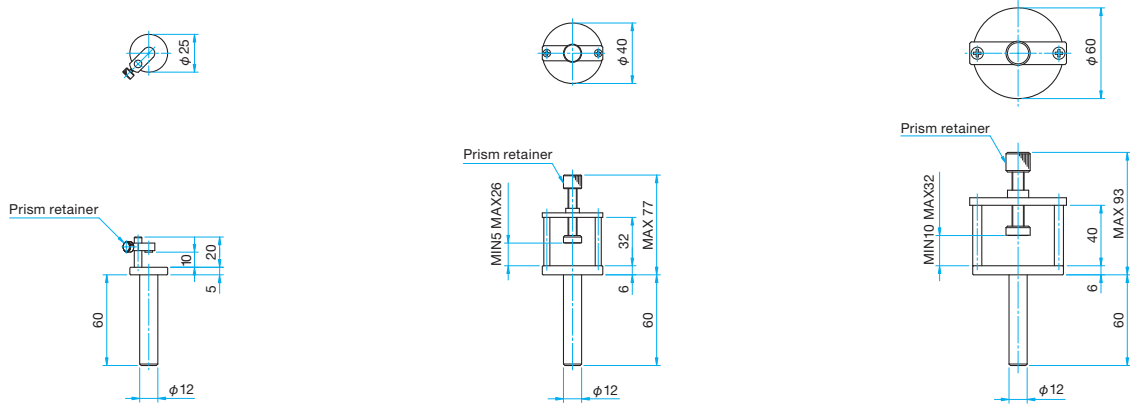


Outline Drawing

PLH-25 M4 P0.7

PLH-40 M6 P1

PLH-60 M6 P1



Specifications			Primary material: Aluminum Finish: Black Anodized
Part Number	Options specified*	Compatible Optics Dimensions [mm]	Weight [kg]
PLH-25	N	– □10	0.08
PLH-40	N	□5 – □26	0.14
PLH-60	N	□10 – □32	0.29

* For specifying options, please refer to "Conversion of Posts, Post Holders and Pedestal Bases of Holders". [Reference](#) C007

Prism Holder | PAD

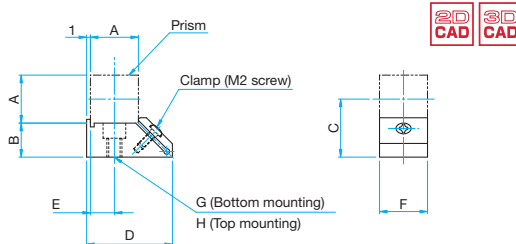
W4103



Compact Mount for cube beamsplitters.
By clamping on the lower edges of the cube more of the prism faces are available for use.

- It is possible to put close to other optical elements because the holder shapes match to the width of the prism.

Outline Drawing



Part Number	A (mm)	B (mm)	C (mm)	D (mm)	E (mm)	F (mm)	G	H
PAD-10	10	10	15	20	5	10	M4	M3
PAD-12.7	12.7	8.65	15	22.7	6.35	12.7	M4	M3
PAD-15	15	12.5	20	25	7.5	15	M4	M3
PAD-20	20	15	25	35	10	20	M6	M4
PAD-25.4	25.4	12.3	25	39	12.5	25.4	M6	M4

Guide

- ▶ Can be mounted on posts, pillars or directly on a baseplate or stage with an M4 thread.

Attention

- ▶ Over tightening the clamp may break glass. Please tighten with the minimum necessary force to insure the cube does not move.
- ▶ Recommended for use with prisms with outer dimension tolerance of ±0.2mm.

Primary material: Aluminum Finish: Black Anodized		
Part Number	Compatible Optics Dimensions [mm]	Weight [kg]
PAD-10	□10	0.005
PAD-12.7	□12.7	0.006
PAD-15	□15	0.01
PAD-20	□20	0.022
PAD-25.4	□25.4	0.026