

Designed to hold cubed optics or right angle prisms.
All four polished surfaces of a cubed prism can be used with these mounts.

- The KKD series has tip, tilt and yaw rotation for fine adjustment of reflected beams.
- The clamp screw will not rotate the prism when clamping.



Guide

- ▶ $\theta\alpha\beta$ axis stages without prism retainer and strut (KKD-C) are also available. [WEB Reference](#) [Catalog Code](#) W7111
- ▶ Post length can be changed by specifying the post length when you place an order. We may charge the difference in price depending on the length. Contact our Sales Division for more information.

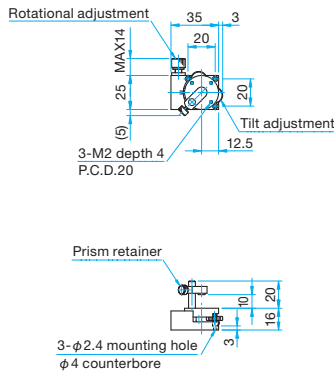
Attention

- ▶ KKD-25PH and PLH-25 might not exert sufficient pressure to retain a prism, and there is a risk that optics might fall out. Use after making sure that the prism is fixed.
- ▶ After adjusting the KKD series, if the prism retainer is lifted, the prism table sometimes moves, throwing off adjustment of tilt and rotation. Use without touching the prism retainer after adjustment.

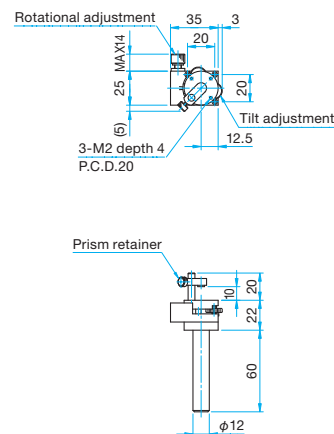


Outline Drawing

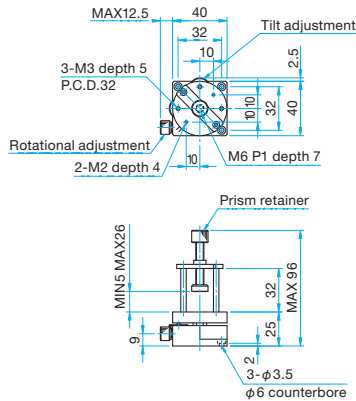
KKD-25PH Pan head screw M2x6...3 screws



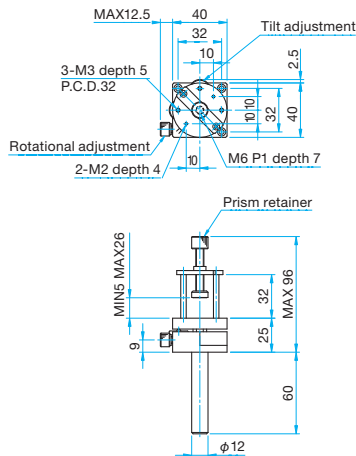
KKD-25PHRO M6 P1



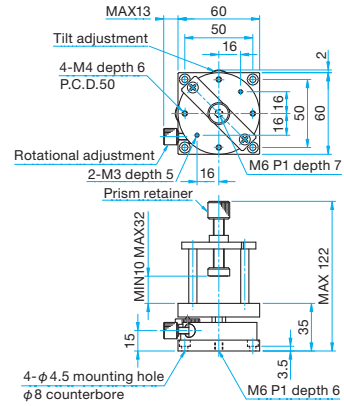
KKD-40PH Pan head screw M3x6...3 screws



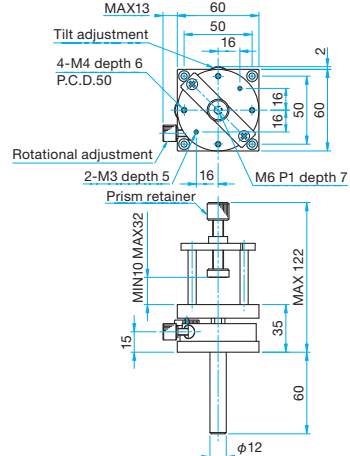
KKD-40PHRO M4 P0.7



KKD-60PH Pan head screw M4x8...4 screws



KKD-60PHRO M6 P1



With Tilt and Rotational Adjustment

Primary material: Aluminum
Finish: Black Anodized

Part Number	Compatible Optics Dimensions [mm]	Adjustment Range Rotation [°]	Adjustment Range Tilt [°]	Resolution		Weight [kg]
				Rotation [°/rotation]	Tilt [°/rotation]	
KKD-25PH	□5 - □10	±3	±3	about 0.9	about 2.2	0.05
KKD-25PHRO	□5 - □10	±3	±3	about 0.9	about 2.2	0.11
KKD-40PH	□5 - □26	±3	±3	about 2.0	about 1.5	0.20
KKD-40PHRO	□5 - □26	±3	±3	about 2.0	about 1.5	0.25
KKD-60PH	□10 - □32	±3	±3	about 1.7	about 1.0	0.40
KKD-60PHRO	□10 - □32	±3	±3	about 1.7	about 1.0	0.45

Application Systems

Optics & Optical Coatings

Opto-Mechanics

Bases

Manual Stages

Actuators & Adjusters

Motoeized Stages

Light Sources & Laser Safety

Index

Guide

Mirrors

Lenses

Prisms

Polarizers

Lasers

Beam Shaping Diffusers

Filters

Shutter

Others

Fiber

Prism Holders | KKD/PLH/PAD

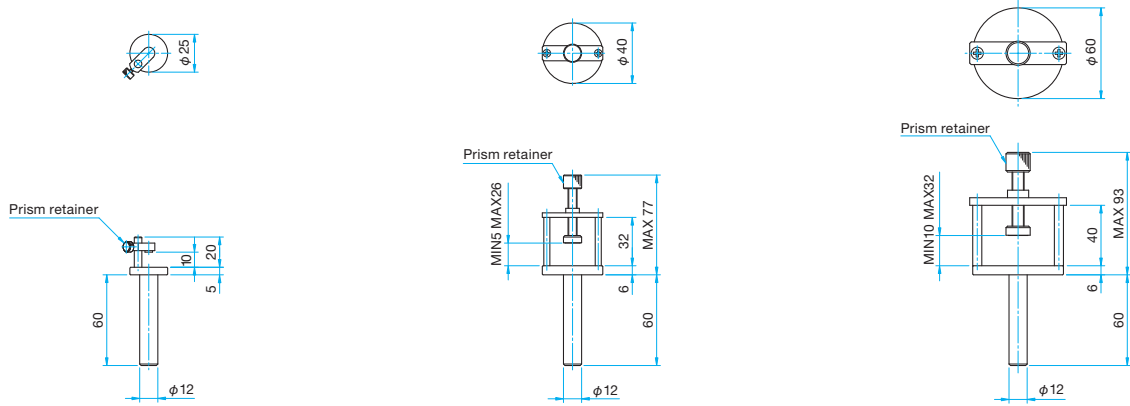


Outline Drawing

PLH-25 M4 P0.7

PLH-40 M6 P1

PLH-60 M6 P1



Specifications			Primary material: Aluminum Finish: Black Anodized
Part Number	Options specified*	Compatible Optics Dimensions [mm]	Weight [kg]
PLH-25	N	– □10	0.08
PLH-40	N	□5 – □26	0.14
PLH-60	N	□10 – □32	0.29

* For specifying options, please refer to "Conversion of Posts, Post Holders and Pedestal Bases of Holders". [Reference](#) C007

Prism Holder | PAD

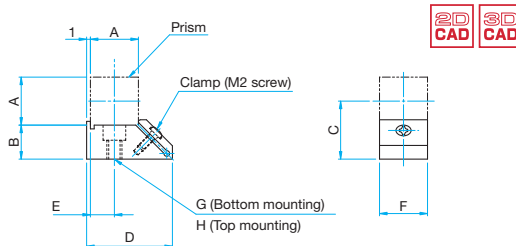
W4103



Compact Mount for cube beamsplitters.
By clamping on the lower edges of the cube more of the prism faces are available for use.

- It is possible to put close to other optical elements because the holder shapes match to the width of the prism.

Outline Drawing



Part Number	A (mm)	B (mm)	C (mm)	D (mm)	E (mm)	F (mm)	G	H
PAD-10	10	10	15	20	5	10	M4	M3
PAD-12.7	12.7	8.65	15	22.7	6.35	12.7	M4	M3
PAD-15	15	12.5	20	25	7.5	15	M4	M3
PAD-20	20	15	25	35	10	20	M6	M4
PAD-25.4	25.4	12.3	25	39	12.5	25.4	M6	M4

Guide

- ▶ Can be mounted on posts, pillars or directly on a baseplate or stage with an M4 thread.

Attention

- ▶ Over tightening the clamp may break glass. Please tighten with the minimum necessary force to insure the cube does not move.
- ▶ Recommended for use with prisms with outer dimension tolerance of $\pm 0.2\text{mm}$.

Primary material: Aluminum Finish: Black Anodized		
Part Number	Compatible Optics Dimensions [mm]	Weight [kg]
PAD-10	□10	0.005
PAD-12.7	□12.7	0.006
PAD-15	□15	0.01
PAD-20	□20	0.022
PAD-25.4	□25.4	0.026