

Used to adjust polarizing prisms such as Glan-Thompson prisms. Best used for precision alignment of Glan-Thompson prisms or for polarimetry devices.

- The fine adjustment mechanism in the SPH can be used to detect an extinction ratio of 10^{-5} or less.
- The scale plate on the PH and SPH series can be positioned to provide a convenient reference to the polarizing axis.
Reference C053
- The SPH can be post mounted with the micrometer at the top or at the side for convenient operation in a variety of environments.
- The SPH includes a locking mechanism to prevent accidental adjustments.
- Polarizing prisms are held in place with retaining rings.



Guide

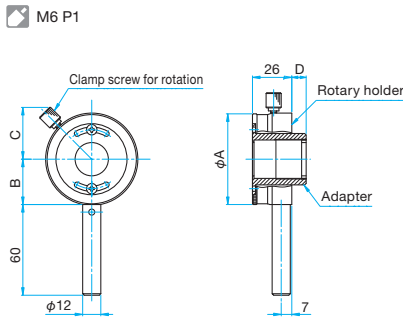
- ▶ Post length can be changed by specifying the post length when you place an order. We may charge the difference in price depending on the length. Contact our Sales Division for more information.
- ▶ Holders for polarizing prisms of diameters or thickness not in the specifications listed in the catalog can be made to order.

Attention

- ▶ These holders are sold separately from the corresponding optics.
WEB Reference Catalog Code W3450
- ▶ Rotary holders and adapters (GTPC-ADP) are also sold separately. Purchase the combination of three items, a Glan-Thompson prism, adapter and rotary holder, by checking the combinations listed in the following specification table.

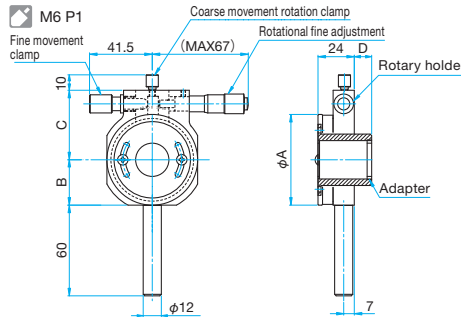
Outline Drawing

GTPC-PH30/GTPC-PH50 & GTPC-ADP



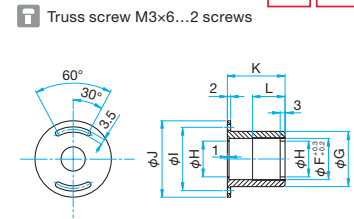
Holder Part Number	Adapter Part Number	φA (mm)	B (mm)	C (mm)	D (mm)
GTPC-PH30	GTPC-ADP15-29	φ60	30	34.3	7.5
GTPC-PH30	GTPC-ADP25.4-38	φ60	30	34.3	16.5
GTPC-PH30	GTPC-ADP30-39	φ60	30	34.3	17.5
GTPC-PH30	GTPC-ADP30-53	φ60	30	34.3	31.5
GTPC-PH50	GTPC-ADP38-49	φ80	40	41.3	27.5

GTPC-SPH30/GTPC-SPH50 & GTPC-ADP



Holder Part Number	Adapter Part Number	φA (mm)	B (mm)	C (mm)	D (mm)
GTPC-SPH30	GTPC-ADP15-29	φ60	30	46	9.5
GTPC-SPH30	GTPC-ADP25.4-38	φ60	30	46	18.5
GTPC-SPH30	GTPC-ADP30-39	φ60	30	46	19.5
GTPC-SPH30	GTPC-ADP30-53	φ60	30	46	33.5
GTPC-SPH50	GTPC-ADP38-49	φ80	40	57	29.5

GTPC-ADP



Adapter Part Number	φF (mm)	φG (mm)	φH (mm)	φI (mm)	φJ (mm)	K (mm)	L (mm)
GTPC-ADP15-29	φ15	φ34	φ12	φ39	φ47	33.5	19
GTPC-ADP25.4-38	φ25.4	φ34	φ22	φ39	φ47	42.5	20
GTPC-ADP30-39	φ30	φ34	φ27	φ39	φ47	43.5	21
GTPC-ADP30-53	φ30	φ34	φ27	φ39	φ47	57.5	19
GTPC-ADP38-49	φ38.1	φ54	φ35	φ60	φ67	53.5	26

Simple Type

Primary material: Aluminum
Finish: Black Anodized

Holder Part Number	Adapter Part Number	Compatible Optics Diameter [mm]	Compatible Optics Thickness [mm]	Scale MIN Reading [°]	Total Weight [kg]
GTPC-PH30	GTPC-ADP15-29	φ15	15 – 29	1	0.25
GTPC-PH30	GTPC-ADP25.4-38	φ25.4	16 – 38	1	0.22
GTPC-PH30	GTPC-ADP30-39	φ30	23 – 39	1	0.21
GTPC-PH30	GTPC-ADP30-53	φ30	39 – 53	1	0.22
GTPC-PH50	GTPC-ADP38-49	φ38	28 – 48.9	1	0.41

Precision Type

Primary material: Aluminum
Finish: Black Anodized

Holder Part Number	Adapter Part Number	Compatible Optics Diameter [mm]	Compatible Optics Thickness [mm]	Fine Adjustment Range [°]	Vernier MIN Reading [']	Micro Indicator Conversion [°/DIV]	Total Weight [kg]
GTPC-SPH30	GTPC-ADP15-29	φ15	15 – 29	±5	5	about 0.014	0.33
GTPC-SPH30	GTPC-ADP25.4-38	φ25.4	16 – 38	±5	5	about 0.014	0.30
GTPC-SPH30	GTPC-ADP30-39	φ30	23 – 39	±5	5	about 0.014	0.29
GTPC-SPH30	GTPC-ADP30-53	φ30	39 – 53	±5	5	about 0.014	0.30
GTPC-SPH50	GTPC-ADP38-49	φ38	28 – 48.9	±3	5	about 0.012	0.62