

Used to adjust the direction of polarization of waveplates and polarizer optics. The mount has 360 degrees of smooth rotation.

- The SPH series uses a micrometer for fine adjustment.
- The scale plate on the PH and SPH series can be positioned to provide a convenient reference to the polarizer or crystal axis.
- The SPH can be post mounted with the micrometer at the top or at the side for convenient operation in a variety of environments.
- The SPH includes a locking mechanism to prevent accidental adjustments.
- Optics are held in place with retaining rings and resin rings.
- The MPH series is designed for use in small systems and narrow spaces.



Guide

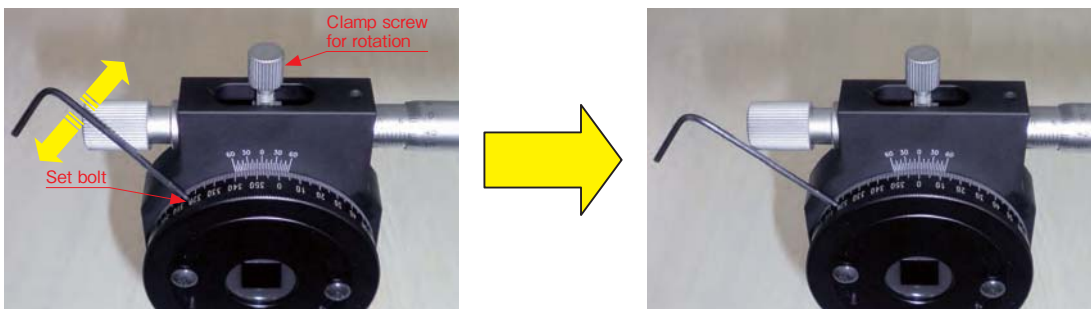
- ▶ Holders for optics sizes not listed in the catalog can be made to order.
- ▶ Adapters for polarizing prisms are available for both the PH and SPH holders. [Reference](#) C055
- ▶ Post length can be changed by specifying the post length when you place an order. We may charge the difference in price depending on the length. Contact our Sales Division for more information.

Attention

- ▶ M6 screws should not go deeper than 5 mm into the mounts. Longer screws will prevent the mount from rotating.

Variable Scale Plate

The angle scale position of PH-ARS, SPH-ARS, GTPC-PH and GTPC-SPH can be freely adjusted. The scale is easily adjusted to the polarizing axis or the crystal axis of a waveplate by changing the position of this scale plate. This scale plate enables customers to change the scale position during an experiment, or to adjust the scale to the polarizing axis or the crystal axis precisely. (The default direction is aligned to the vertical axis, within ± 1 degree.)

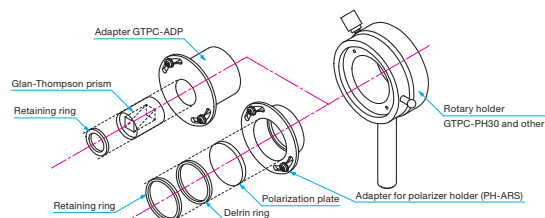


[How to adjust scale plate]

- (1) Mount a polarizing optic in the polarizer holder, and set the direction of the polarizing axis and crystal axis to the polarization reference coordinate. [Reference](#) B093
- (2) Tighten the clamp screw for rotation, loosen the set bolt that secures the scale plate, and rotate the scale plate.
- (3) Set the scale mark to the required scale position, and tighten the scale plate with the set bolt.

Mounting Compatibility of Polarizer Holders and Polarizing Prism Holders

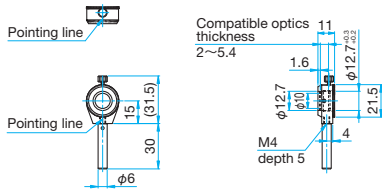
Polarizer holders (PH-ARS, SPH-ARS) can be used as polarizing prism holders by purchasing an adapter (GTPC-ADP) additionally. Also, by purchasing the adapter (GTPC-ADP), a polarizing prism holder for either of the three diameter sizes, $\phi 15$, $\phi 25.4$ or $\phi 30$ mm, can be used for the other two sizes. However, the adapter is not compatible with the old type prism holders of custom orders (GTPC-PH-**, GTPC-SPH-**). Adapters (for optic diameter of $\phi 30$ and $\phi 50$ mm) for polarizer holders (PH-ARS) are also available as a single item. Contact our International Sales Division for more information.



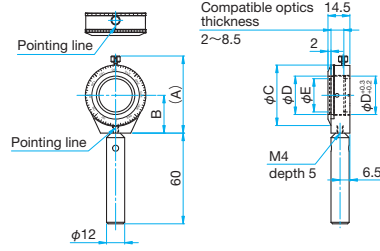


Outline Drawing

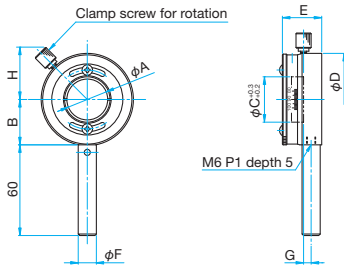
MPHN-12.7R M4 P0.7



MPHN-25.4R/30R M4 P0.7

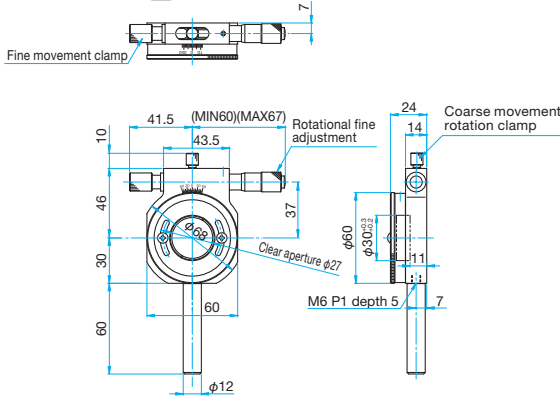


PH-ARS M6 P1 (Only PH-100 with taper)

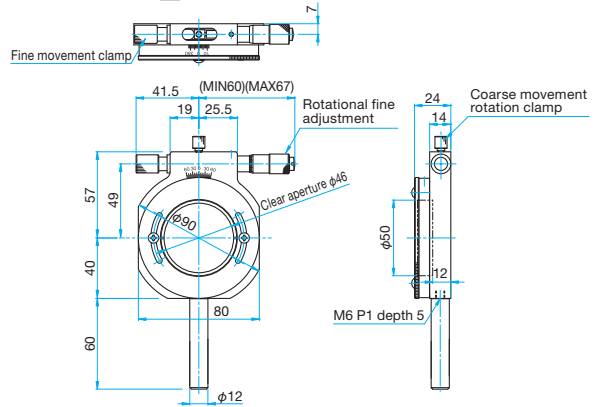


Part Number	φA (mm)	B (mm)	φC (mm)	φD (mm)	E (mm)	φF (mm)	G (mm)	H (mm)
PH-20-ARS	φ17	25	φ20	φ51	23	φ12	3.5	29
PH-25.4-ARS	φ22	30	φ25.4	φ61	26	φ12	4	35
PH-30-ARS	φ27	30	φ30	φ61	26	φ12	4	35
PH-50-ARS	φ46	40	φ50	φ81	26	φ12	5	42
PH-50.8-ARS	φ47	40	φ50.8	φ81	26	φ12	5	42
PH-100-ARS	φ95	73	φ100	φ148	30	φ20	4	66

SPH-30-ARS M6 P1



SPH-50-ARS M6 P1



Thin Type

Part Number	Options specified*	Compatible Optics Diameter φD [mm]	Compatible Optics Thickness [mm]	Scale MIN Reading [°]	Clear Aperture φE [mm]	Optical Axis Height B [mm]	A (MAX) [mm]	φC [mm]	Weight [kg]
MPHN-12.7R	N	φ12.7	2 - 5.4	2.5	φ10	15	32	φ22	0.07
MPHN-25.4R	N	φ25.4	2 - 8.5	2	φ22	25	51	φ40	0.083
MPHN-30R	N	φ30	2 - 8.5	2	φ27	27.5	56	φ45	0.09

* For specifying options, please refer to "Conversion of Posts, Post Holders and Pedestal Bases of Holders". [Reference](#) C007

Simple Type

Part Number	Options specified*	Compatible Optics Diameter [mm]	Compatible Optics Thickness [mm]	Clear Aperture φA [mm]	Scale MIN Reading [°]	Weight [kg]
PH-20-ARS	N/UU	φ20	2 - 10	φ17	1	0.14
PH-25.4-ARS	N/UU	φ25.4	2 - 10	φ22	1	0.19
PH-30-ARS	N/UU	φ30	2 - 10	φ27	1	0.19
PH-50-ARS	N/UU	φ50	2 - 10	φ46	1	0.25
PH-50.8-ARS	N/UU	φ50.8	2 - 10	φ47	1	0.25
PH-100-ARS	N/UU	φ100	2 - 10	φ95	1	0.81

* For specifying options, please refer to "Conversion of Posts, Post Holders and Pedestal Bases of Holders". [Reference](#) C007

Precision Type

Part Number	Options specified*	Compatible Optics Diameter [mm]	Compatible Optics Thickness [mm]	Clear Aperture [mm]	Fine Adjustment Range [°]	Vernier MIN Reading [']	Micro Indicator Conversion [°/DIV]	Weight [kg]
SPH-30-ARS	N/UU	φ30	2 - 10	φ27	±5	5	about 0.014	0.32
SPH-50-ARS	N/UU	φ50	2 - 10	φ46	±3	5	about 0.012	0.46

* For specifying options, please refer to "Conversion of Posts, Post Holders and Pedestal Bases of Holders". [Reference](#) C007

Application Systems

Optics & Optical Coatings

Opto-Mechanics

Bases

Manual Stages

Actuators & Adjusters

MotORIZED Stages

Light Sources & Laser Safety

Index

Guide

Mirrors

Lenses

Prisms

Polarizers

Lasers

Beam Shaping Diffusers

Filters

Shutter

Others

Fiber