

**Four axis adjustable mount for Laser Beam Expanders BE and LBED. Tip, Tilt and centering can be adjusted.**

- Stable design for large size laser beam expanders .
- KLH-BE is equipped with lock mechanism for angle and centering. These locking mechanism enable to keep the orientation after adjustment.
- Mountable on posts or posts holders.

▶ [WEB Reference](#) [Catalog Code](#) W6052, ▶ [WEB Reference](#) [Catalog Code](#) W6039

Application Systems

Optics & Optical Coatings

Opto-Mechanics

Bases

Manual Stages

Actuators & Adjusters

MotORIZED Stages

Light Sources & Laser Safety

Index

Guide

Mirrors

Lenses

Prisms

Polarizers

Lasers

Beam Shaping Diffusers

Filters

Shutter

Others

Fiber



### Attention

- ▶ Baseplate for mounting on the optical table or bread board is available (MHL-BP). [Reference](#) ▶ C029

### Guide

- ▶ If the centering mechanism clamp is not sufficiently loosened, the range of movement of the centering mechanism will be narrow.
- ▶ Changing focus after the adjustment of tilt, rotation and centering may cause the deviation of output beam angle and centering.

### Example of Use

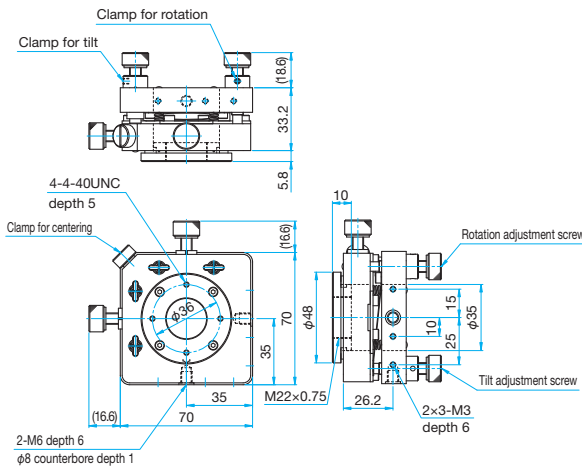


Assembled with the KLH-BE-M22H and LBED10

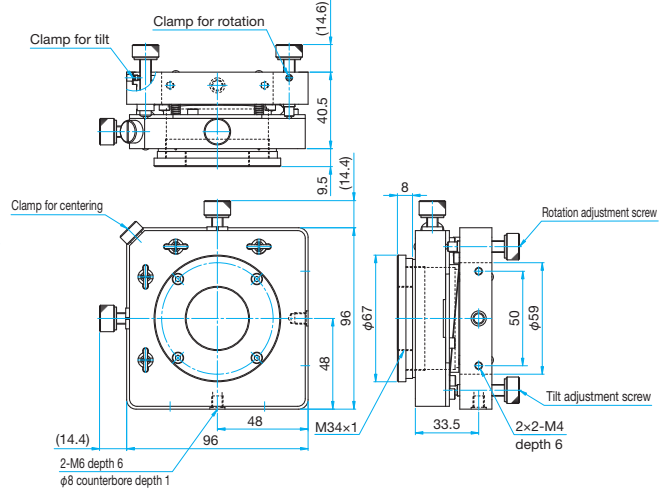


### Outline Drawing

#### KLH-BE-M22H M6 P1



#### KLH-BE-M34H M6 P1



### Specifications

Part Number	Compatible Mounting Screw Size	Centering adjustment range [mm]	Centering Adjustment Resolution [mm/rotation]	Angle Adjustment Range		Angle Adjustment Resolution		Weight [kg]
				Tilt [°]	Rotation [°]	Tilt [°/rotation]	Rotation [°/rotation]	
KLH-BE-M22H	M22 P0.75	φ2	0.25	±2	±2	0.3	0.3	0.38
KLH-BE-M34H	M34 P1	φ2	0.25	±3	±3	0.2	0.2	0.68

Primary material: Aluminum  
Finish: Black Anodized