

X Axis Aluminum Crossed Roller Translation Stages

XY Axis Aluminum Crossed Roller Translation Stages

TAM-401
TAM-402

Stage Size 40 x 40 mm

RoHS

High precision crossed-roller linear translation stages with black anodized aluminum bodies.



Attention

- ▶ Micrometer brackets may extend above the top surface of some stages. Check drawings for detailed information.
- ▶ Note that based upon payload size, rated travel could be reduced.

Specifications					
Part Number	METRIC	TAM-401C	TAM-401S	TAM-402C	TAM-402S
	INCH	TAM-401CUU	TAM-401SUU	TAM-402CUU	TAM-402SUU
Guide (Opposite Model)	METRIC	—	TAM-401SR	—	TAM-402SR
	INCH	—	TAM-401SRUU	—	TAM-402SRUU
Stage Size [mm]		40x40	40x40	40x40	40x40
Axes of Travel		X axis		XY axis	
Micrometer Position		Center	Side	Center	Side
Travel [mm]		±6.5	±6.5	±6.5	±6.5
Lead of Actuator [mm/rotation]		0.5	0.5	0.5	0.5
Micrometer Readable Resolution [mm]		0.01	0.01	0.01	0.01
Guide Method		Crossed roller			
Primary Material		Aluminum			
Finish		Black anodized			
Load Capacity [N]		49 (5.0kgf)	49 (5.0kgf)	49 (5.0kgf)	49 (5.0kgf)
Travel Accuracy	Straightness [μm]	2	2	2	2
	Pitch [″]	40	40	40	40
	Yaw [″]	25	25	25	25
Max. Moment Capacity	Pitch [N·m]	2.75	2.75	2.75	2.75
	Roll [N·m]	3.0	3.0	2.75	2.75
	Yaw [N·m]	2.5	2.5	2.5	2.5
Moment Stiffness	Pitch [″/N·cm]	0.66	0.66	1.22	1.22
	Roll [″/N·cm]	0.36	0.36	1.22	1.22
Parallelism [μm]		30	30	50	50
Running Parallelism [μm]		10	10	20	20
Orthogonality [μm]		—	—	10	10
Options		FP/DM/WP/DL	FP/DM/WP/DL	FP/DM/WP/DL	FP/DM/WP
Weight [kg]		0.13	0.13	0.25	0.25

Option					
Option Code	Compatible product		Lead of Actuator [mm/rotation]	Micrometer Readable Resolution [mm]	Reference
	Products Name	Part Number			
FP	Fine-pitch Screw Adjusters	FPSA-62540	0.25	—	E008
DM	Differential Micrometer Heads	MHF2-13F	Coars: 0.5 Fine: 0.025	Coars: 0.01 Fine: 0.0005	
WP	Sub-micron Worm Drive Micrometer Heads	WGP-13	Coars: 0.25 Fine: 0.005	Coars: 0.005 Fine: 0.0005	
DL	Differential Micrometer Heads	MDC-13	0.5	0.01	

- * Please add an option code as the part number suffix to specify various optional specifications.
* Installation may not be possible depending on the direction of DL.

Application Systems

Optics & Optical Coatings

Opto-Mechanics

Bases

Manual Stages

Actuators & Adjusters

MotORIZED Stages

Light Sources & Laser Safety

Index

X Axis Stages

XY Axis Stages

Z Axis Stages

XZ Axis Stages

XYZ Axis Stages

Rotation Stages

Goniometer

Tilt Stages

Vacuum

Ball Bearing Guide

Crossed Roller

Dovetail

Lapping

V Groove Screw

Others

15 x 15 mm

25 x 25 mm

40 x 40 mm

60 x 60 mm

65 x 65 mm

80 x 80 mm

100 x 100 mm

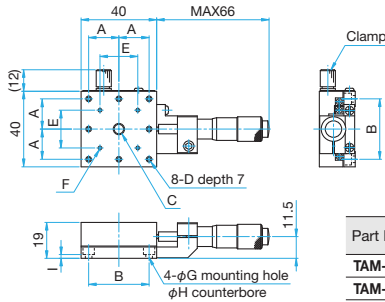
120 x 120 mm

Others



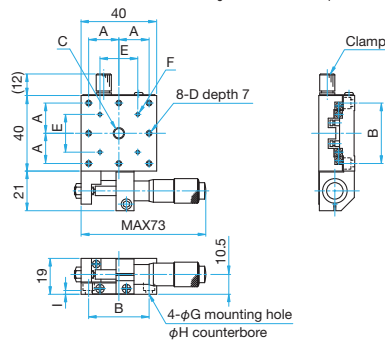
Outline Drawing

TAM-401C/401CUU Pan head screw M3x6...4 screws, Spring washers
Hexagonal socket head cap screw 6-32UNCx1/4...4 screws (UU)



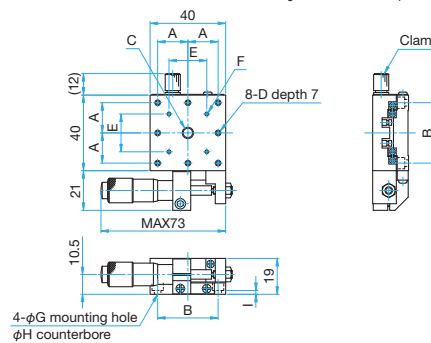
Part Number	A (mm)	B (mm)	C	D	E (mm)	F	G (mm)	H (mm)	I (mm)
TAM-401C	16	32	M6 P1 depth 8	M3	20	4-M2 depth 5	3.5	6	2
TAM-401CUU	15.875	31.75	1/4-20UNC depth 5	6-32UNC			4	6.5	1.5

TAM-401S/401SUU Pan head screw M3x6...4 screws, Spring washers
Hexagonal socket head cap screw 6-32UNCx1/4...4 screws (UU)



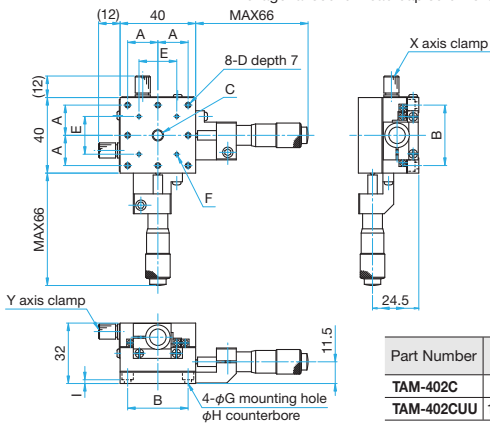
Part Number	A (mm)	B (mm)	C	D	E (mm)	F	G (mm)	H (mm)	I (mm)
TAM-401S	16	32	M6 P1 depth 8	M3	20	4-M2 depth 5	3.5	6	2
TAM-401SUU	15.875	31.75	1/4-20UNC depth 5	6-32UNC			4	6.5	1.5

TAM-401SR/401SRUU Pan head screw M3x6...4 screws, Spring washers
Hexagonal socket head cap screw 6-32UNCx1/4...4 screws (UU)



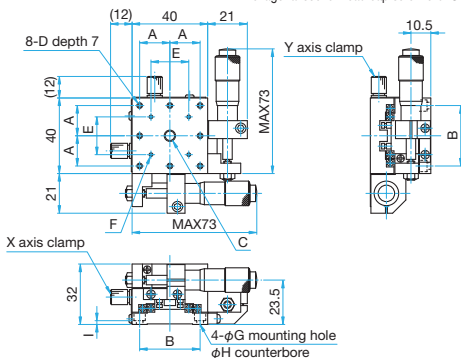
Part Number	A (mm)	B (mm)	C	D	E (mm)	F	G (mm)	H (mm)	I (mm)
TAM-401SR	16	32	M6 P1 depth 8	M3	20	4-M2 depth 5	3.5	6	2
TAM-401SRUU	15.875	31.75	1/4-20UNC depth 5	6-32UNC			4	6.5	1.5

TAM-402C/402CUU Pan head screw M3x6...4 screws, Spring washers
Hexagonal socket head cap screw 6-32UNCx1/4...4 screws (UU)



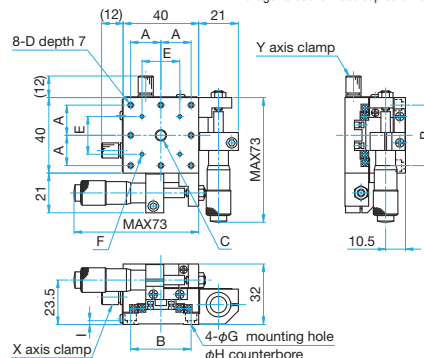
Part Number	A (mm)	B (mm)	C	D	E (mm)	F	G (mm)	H (mm)	I (mm)
TAM-402C	16	32	M6 P1 depth 8	M3	20	4-M2 depth 5	3.5	6	2
TAM-402CUU	15.875	31.75	1/4-20UNC depth 5	6-32UNC			4	6.5	1.5

TAM-402S/402SUU Pan head screw M3x6...4 screws, Spring washers
Hexagonal socket head cap screw 6-32UNCx1/4...4 screws (UU)



Part Number	A (mm)	B (mm)	C	D	E (mm)	F	G (mm)	H (mm)	I (mm)
TAM-402S	16	32	M6 P1 depth 8	M3	20	4-M2 depth 5	3.5	6	2
TAM-402SUU	15.875	31.75	1/4-20UNC depth 5	6-32UNC			4	6.5	1.5

TAM-402SR/402SRUU Pan head screw M3x6...4 screws, Spring washers
Hexagonal socket head cap screw 6-32UNCx1/4...4 screws (UU)



Part Number	A (mm)	B (mm)	C	D	E (mm)	F	G (mm)	H (mm)	I (mm)
TAM-402SR	16	32	M6 P1 depth 8	M3	20	4-M2 depth 5	3.5	6	2
TAM-402SRUU	15.875	31.75	1/4-20UNC depth 5	6-32UNC			4	6.5	1.5

Application Systems

Optics & Optical Coatings

Opto-Mechanics

Bases

Manual Stages

Actuators & Adjusters

MotORIZED Stages

Light Sources & Laser Safety

Index

Guide

X Axis Stages

XY Axis Stages

Z Axis Stages

XZ Axis Stages

XYZ Axis Stages

Rotation Stages

Goniometer

Tilt Stages

Vacuum

Ball Bearing Guide

Crossed Roller

Dovetail

Lapping

V Groove Screw

Others

15 × 15 mm

25 × 25 mm

40 × 40 mm

60 × 60 mm

65 × 65 mm

80 × 80 mm

100 × 100 mm

120 × 120 mm

Others

X Axis Aluminum Crossed Roller Translation Stages

XY Axis Aluminum Crossed Roller Translation Stages

TAM-601

Stage Size 60 x 60 mm

TAM-602

RoHS

High precision crossed-roller linear translation stages with black anodized aluminum bodies.



Attention

- ▶ Micrometer brackets may extend above the top surface of some stages. Check drawings for detailed information.
- ▶ Note that based upon payload size, rated travel could be reduced.

Application Systems

Optics & Optical Coatings

Opto-Mechanics

Bases

Manual Stages

Actuators & Adjusters

Motorized Stages

Light Sources & Laser Safety

Index

Guide

X Axis Stages

XY Axis Stages

Z Axis Stages

XZ Axis Stages

XYZ Axis Stages

Rotation Stages

Goniometer

Tilt Stages

Vacuum

Ball Bearing Guide

Crossed Roller

Dovetail

Lapping

V Groove Screw

Others

15 x 15 mm

25 x 25 mm

40 x 40 mm

60 x 60 mm

65 x 65 mm

80 x 80 mm

100 x 100 mm

120 x 120 mm

Others

Specifications

Part Number	METRIC	TAM-601C	TAM-601S	TAM-602C	TAM-602S
(Opposite Model)	METRIC	—	TAM-601SR	—	TAM-602SR
Stage Size [mm]		60×60	60×60	60×60	60×60
Axes of Travel		X axis		XY axis	
Micrometer Position		Center	Side	Center	Side
Travel [mm]		±6.5	±6.5	±6.5	±6.5
Lead of Actuator [mm/rotation]		0.5	0.5	0.5	0.5
Micrometer Readable Resolution [mm]		0.01	0.01	0.01	0.01
Guide Method		Crossed roller			
Primary Material		Aluminum			
Finish		Black anodized			
Load Capacity [N]		196 (20.0kgf)	196 (20.0kgf)	196 (20.0kgf)	196 (20.0kgf)
Travel Accuracy	Straightness [μm]	2	2	2	2
	Pitch [″]	25	25	25	25
	Yaw [″]	15	15	15	15
Max. Moment Capacity	Pitch [N·m]	5.8	5.8	5.8	5.8
	Roll [N·m]	5.8	5.8	5.8	5.8
	Yaw [N·m]	5.8	5.8	5.8	5.8
Moment Stiffness	Pitch [″/N·cm]	0.3	0.3	0.6	0.6
	Roll [″/N·cm]	0.25	0.25	0.6	0.6
Parallelism [μm]		30	30	50	50
Running Parallelism [μm]		10	10	20	20
Orthogonality [μm]		—	—	10	10
Options		FP/DM/WP/DL	FP/DM/WP/DL	FP/DM/WP/DL	FP/DM/WP
Weight [kg]		0.3	0.3	0.6	0.6

Option

Option Code	Compatible product		Lead of Actuator [mm/rotation]	Micrometer Readable Resolution [mm]	Reference
	Products Name	Part Number			
FP	Fine-pitch Screw Adjusters	FPSA-62540	0.25	—	E008
DM	Differential Micrometer Heads	MHF2-13F	Coars: 0.5 Fine: 0.025	Coars: 0.01 Fine: 0.0005	
WP	Sub-micron Worm Drive Micrometer Heads	WGP-13	Coars: 0.25 Fine: 0.005	Coars: 0.005 Fine: 0.0005	
DL	Differential Micrometer Heads	MDC-13	0.5	0.01	

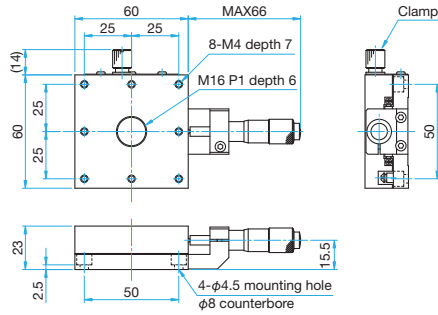
* Please add an option code as the part number suffix to specify various optional specifications.

* Installation may not be possible depending on the direction of DL.

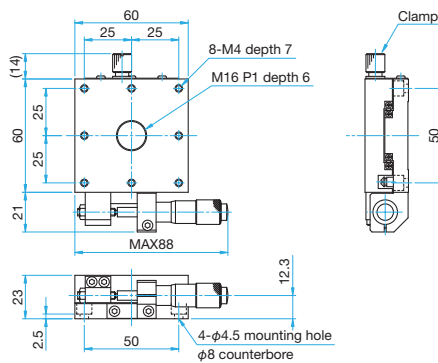


Outline Drawing

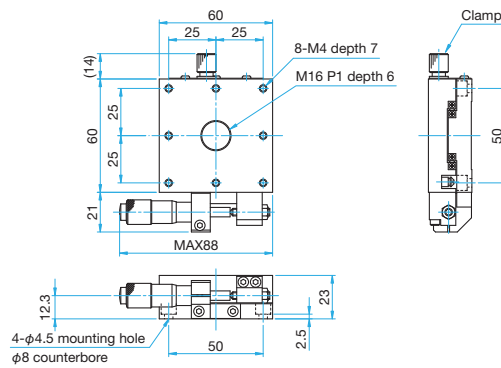
TAM-601C Hexagonal socket head cap screw M4x8...4 screws



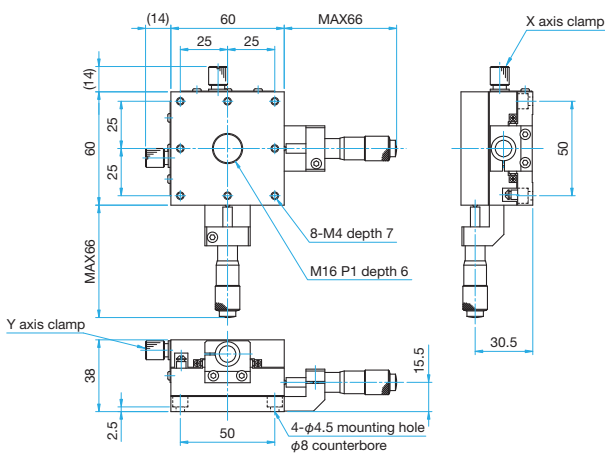
TAM-601S Hexagonal socket head cap screw M4x8...4 screws



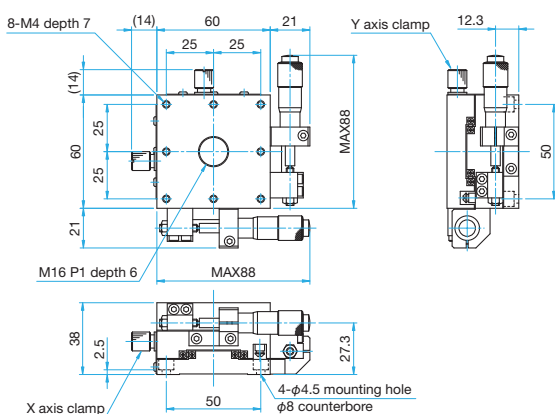
TAM-601SR Hexagonal socket head cap screw M4x8...4 screws



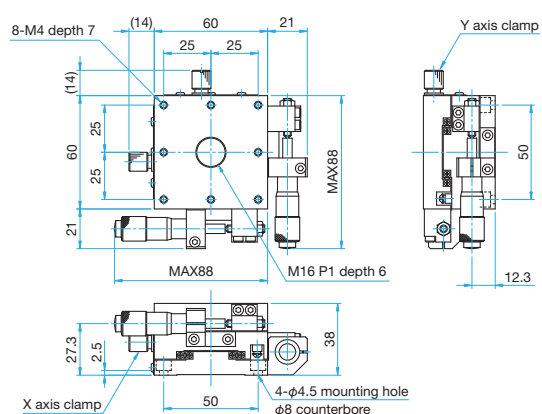
TAM-602C Hexagonal socket head cap screw M4x8...4 screws



TAM-602S Hexagonal socket head cap screw M4x8...4 screws



TAM-602SR Hexagonal socket head cap screw M4x8...4 screws



Application Systems

Optics & Optical Coatings

Opto-Mechanics

Bases

Manual Stages

Actuators & Adjusters

MotORIZED Stages

Light Sources & Laser Safety

Index

Guide

X Axis Stages

XY Axis Stages

Z Axis Stages

XZ Axis Stages

XYZ Axis Stages

Rotation Stages

Goniometer

Tilt Stages

Vacuum

Ball Bearing Guide

Crossed Roller

Dovetail

Lapping

V Groove Screw

Others

15 × 15 mm

25 × 25 mm

40 × 40 mm

60 × 60 mm

65 × 65 mm

80 × 80 mm

100 × 100 mm

120 × 120 mm

Others

X Axis Aluminum Crossed Roller Translation Stages

Stage Size 65 × 65 mm

TAM-651

RoHS

High precision crossed-roller linear translation stages with black anodized aluminum bodies.

- Bottom counter bore clearance holes are sized and spaced to accept both M6 or 1/4 size screws for mounting these stages down to a table.
- Both M6 or 1/4-20 inch tapped hole versions available.
- Both left and right hand adjustment versions available.
- Multiple actuator options available. Standard micrometer, sub-micron micrometer, fine pitch screw.
- All stages are equipped with a robust knurled head locking screw.



Attention

- ▶ Micrometer brackets may extend above the top surface of some stages. Check drawings for detailed information.
- ▶ Note that based upon payload size, rated travel could be reduced.

Specifications

Part Number	METRIC	TAM-651C-M6	TAM-651S-M6	TAM-651C25-M6	TAM-651S25-M6
	INCH	TAM-651CUU	TAM-651SUU	TAM-651C25UU	TAM-651S25UU
(Opposite Model)	METRIC	—	TAM-651SR-M6	—	—
	INCH	—	TAM-651SRUU	—	—
Stage Size [mm]		65×65	65×65	65×65	65×65
Axes of Travel		X axis			
Micrometer Position		Center	Side	Center	Side
Travel [mm]		±6.5	±6.5	±12.5	±12.5
Lead of Actuator [mm/rotation]		0.5	0.5	0.5	0.5
Micrometer Readable Resolution [mm]		0.01	0.01	0.01	0.01
Guide Method		Crossed roller			
Primary Material		Aluminum			
Finish		Black anodized			
Load Capacity [N]		196 (20kgf)	196 (20kgf)	196 (20kgf)	196 (20kgf)
Travel Accuracy	Straightness [μm]	2	2	2	2
	Pitch [″]	25	25	35	35
	Yaw [″]	15	15	25	25
Max. Moment Capacity	Pitch [N·m]	4.9	4.9	4.9	4.9
	Roll [N·m]	4.9	4.9	4.9	4.9
	Yaw [N·m]	4.9	4.9	4.9	4.9
Moment Stiffness	Pitch [″/N·cm]	0.3	0.3	0.3	0.3
	Roll [″/N·cm]	0.25	0.25	0.25	0.25
Parallelism [μm]		30	30	30	30
Running Parallelism [μm]		10	10	10	10
Options		FP ¹ /DM/WP/DL	FP ¹ /DM/WP/DL	FP ²	FP ²
Weight [kg]		0.3	0.3	0.3	0.3

Option

Option Code	Compatible product		Lead of Actuator [mm/rotation]	Micrometer Readable Resolution [mm]	Reference
	Products Name	Part Number			
FP	Fine-pitch Screw Adjusters	FPSA-62540 ¹ FPSA-62550 ²	0.25	—	E008
DM	Differential Micrometer Heads	MHF2-13F	Coars: 0.5 Fine: 0.025	Coars: 0.01 Fine: 0.0005	
WP	Sub-micron Worm Drive Micrometer Heads	WGP-13	Coars: 0.25 Fine: 0.005	Coars: 0.005 Fine: 0.0005	
DL	Differential Micrometer Heads	MDC-13	0.5	0.01	

* Please add an option code as the part number suffix to specify various optional specifications.

* Installation may not be possible depending on the direction of DL.

Application Systems

Optics & Optical Coatings

Opto-Mechanics

Bases

Manual Stages

Actuators & Adjusters

Motorized Stages

Light Sources & Laser Safety

Index

Guide

X Axis Stages

XY Axis Stages

Z Axis Stages

XZ Axis Stages

XYZ Axis Stages

Rotation Stages

Goniometer

Tilt Stages

Vacuum

Ball Bearing Guide

Crossed Roller

Dovetail

Lapping

V Groove Screw

Others

15 × 15 mm

25 × 25 mm

40 × 40 mm

60 × 60 mm

65 × 65 mm

80 × 80 mm

100 × 100 mm

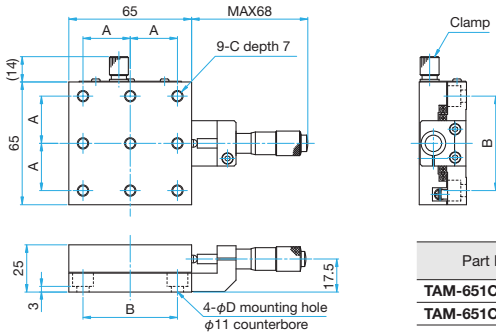
120 × 120 mm

Others



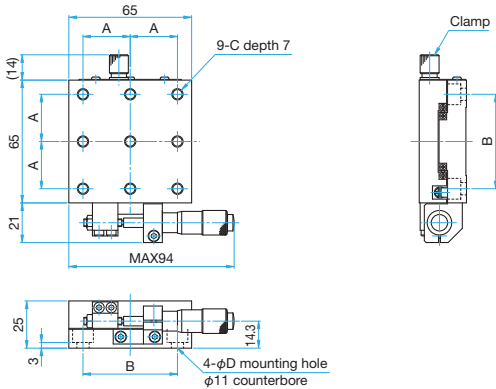
Outline Drawing

TAM-651C-M6/651CUU Hexagonal socket head cap screw M6x8...4 screws (M6)
Hexagonal socket head cap screw 1/4-20UNCx3/8...4 screws (UU)



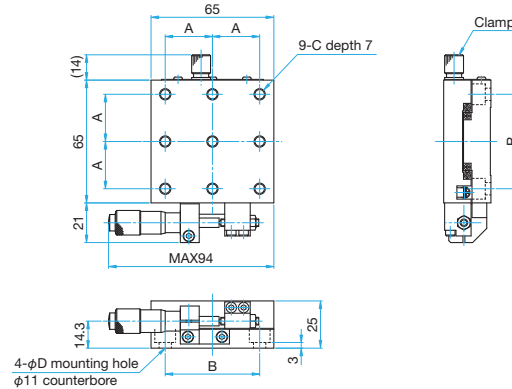
Part Number	A (mm)	B (mm)	C	D (mm)
TAM-651C-M6	25	50	M6 P1	6.5
TAM-651CUU	25.4	50.8	1/4-20UNC	7

TAM-651S-M6/651SUU Hexagonal socket head cap screw M6x8...4 screws (M6)
Hexagonal socket head cap screw 1/4-20UNCx3/8...4 screws (UU)



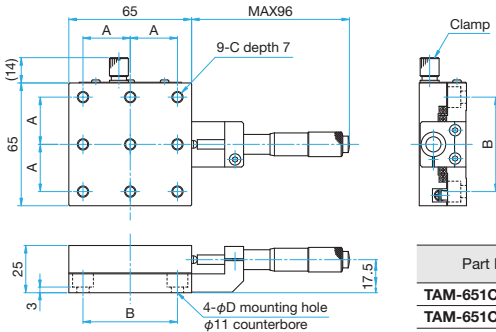
Part Number	A (mm)	B (mm)	C	D (mm)
TAM-651S-M6	25	50	M6 P1	6.5
TAM-651SUU	25.4	50.8	1/4-20UNC	7

TAM-651SR-M6/651SRUU Hexagonal socket head cap screw M6x8...4 screws (M6)
Hexagonal socket head cap screw 1/4-20UNCx3/8...4 screws (UU)



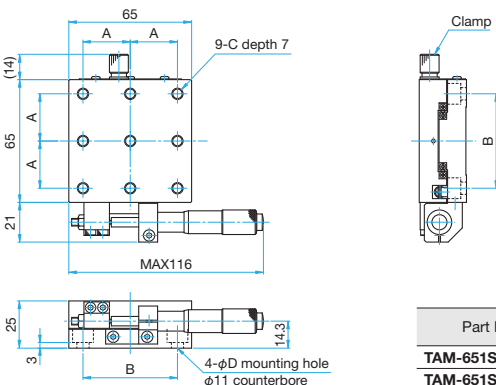
Part Number	A (mm)	B (mm)	C	D (mm)
TAM-651SR-M6	25	50	M6 P1	6.5
TAM-651SRUU	25.4	50.8	1/4-20UNC	7

TAM-651C25-M6/651C25UU Hexagonal socket head cap screw M6x8...4 screws (M6)
Hexagonal socket head cap screw 1/4-20UNCx3/8...4 screws (UU)



Part Number	A (mm)	B (mm)	C	D (mm)
TAM-651C25-M6	25	50	M6 P1	6.5
TAM-651C25UU	25.4	50.8	1/4-20UNC	7

TAM-651S25-M6/651S25UU Hexagonal socket head cap screw M6x8...4 screws (M6)
Hexagonal socket head cap screw 1/4-20UNCx3/8...4 screws (UU)



Part Number	A (mm)	B (mm)	C	D (mm)
TAM-651S25-M6	25	50	M6 P1	6.5
TAM-651S25UU	25.4	50.8	1/4-20UNC	7

Application Systems

Optics & Optical Coatings

Opto-Mechanics

Bases

Manual Stages

Actuators & Adjusters

MotORIZED Stages

Light Sources & Laser Safety

Index

Guide

X Axis Stages

XY Axis Stages

Z Axis Stages

XZ Axis Stages

XYZ Axis Stages

Rotation Stages

Goniometer

Tilt Stages

Vacuum

Ball Bearing Guide

Crossed Roller

Dovetail

Lapping

V Groove Screw

Others

15 × 15 mm

25 × 25 mm

40 × 40 mm

60 × 60 mm

65 × 65 mm

80 × 80 mm

100 × 100 mm

120 × 120 mm

Others

XY Axis Aluminum Crossed Roller Translation Stages

Stage Size 65 × 65 mm

TAM-652

RoHS

High precision crossed-roller linear translation stages with black anodized aluminum bodies.

- Bottom counter bore clearance holes are sized and spaced to accept both M6 or 1/4 size screws for mounting these stages down to a table.
- Both M6 or 1/4-20 inch tapped hole versions available.
- Both left and right hand adjustment versions available.
- Multiple actuator options available. Standard micrometer, sub-micron micrometer, fine pitch screw.
- All stages are equipped with a robust knurled head locking screw.



Attention

- ▶ Micrometer brackets may extend above the top surface of some stages. Check drawings for more information.
- ▶ Note that based upon payload size, rated travel could be reduced.

Specifications

Part Number	METRIC	TAM-652C-M6	TAM-652S-M6	TAM-652C25-M6	TAM-652S25-M6
	INCH	TAM-652CUU	TAM-652SUU	TAM-651C25UU	TAM-651S25UU
(Opposite Model)	METRIC	—	TAM-652SR-M6	—	—
	INCH	—	TAM-652SRUU	—	—
Stage Size [mm]		65×65	65×65	65×65	65×65
Axes of Travel		XY axis			
Micrometer Position		Center	Side	Center	Side
Travel [mm]		±6.5	±6.5	±12.5	±12.5
Lead of Actuator [mm/rotation]		0.5	0.5	0.5	0.5
Micrometer Readable Resolution [mm]		0.01	0.01	0.01	0.01
Guide Method		Crossed roller			
Primary Material		Aluminum			
Finish		Black anodized			
Load Capacity [N]		196 (20kgf)	196 (20kgf)	196 (20kgf)	196 (20kgf)
Travel Accuracy	Straightness [μm]	2	2	2	2
	Pitch ["]	25	25	35	35
	Yaw ["]	15	15	25	25
Max. Moment Capacity	Pitch [N·m]	4.9	4.9	4.9	4.9
	Roll [N·m]	4.9	4.9	4.9	4.9
	Yaw [N·m]	4.9	4.9	4.9	4.9
Moment Stiffness	Pitch ["/N·cm]	0.6	0.6	0.6	0.6
	Roll ["/N·cm]	0.6	0.6	0.6	0.6
Parallelism [μm]		50	50	50	50
Running Parallelism [μm]		20	20	20	20
Orthogonality [μm]		10	10	10	10
Options		FP ¹ /DM/WP/DL	FP ¹ /DM/WP	FP ²	FP ²
Weight [kg]		0.75	0.75	0.75	0.75

Option

Option Code	Compatible product		Lead of Actuator [mm/rotation]	Micrometer Readable Resolution [mm]	Reference
	Products Name	Part Number			
FP	Fine-pitch Screw Adjusters	FPSA-62540 ¹ FPSA-62550 ²	0.25	—	E008
DM	Differential Micrometer Heads	MHF2-13F	Coars: 0.5 Fine: 0.025	Coars: 0.01 Fine: 0.0005	
WP	Sub-micron Worm Drive Micrometer Heads	WGP-13	Coars: 0.25 Fine: 0.005	Coars: 0.005 Fine: 0.0005	
DL	Differential Micrometer Heads	MDC-13	0.5	0.01	

* Please add an option code as the part number suffix to specify various optional specifications.

* Installation may not be possible depending on the direction of DL.

Application Systems

Optics & Optical Coatings

Opto-Mechanics

Bases

Manual Stages

Actuators & Adjusters

Motorized Stages

Light Sources & Laser Safety

Index

Guide

X Axis Stages

XY Axis Stages

Z Axis Stages

XZ Axis Stages

XYZ Axis Stages

Rotation Stages

Goniometer

Tilt Stages

Vacuum

Ball Bearing Guide

Crossed Roller

Dovetail

Lapping

V Groove Screw

Others

15 × 15 mm

25 × 25 mm

40 × 40 mm

60 × 60 mm

65 × 65 mm

80 × 80 mm

100 × 100 mm

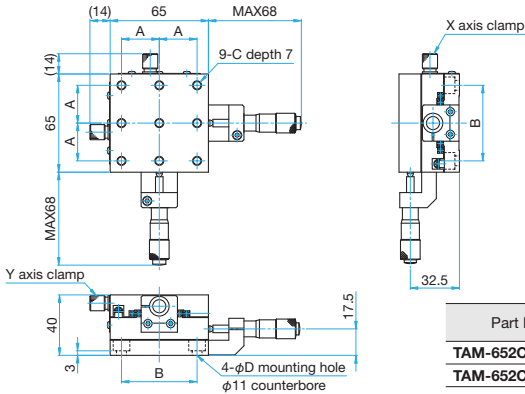
120 × 120 mm

Others



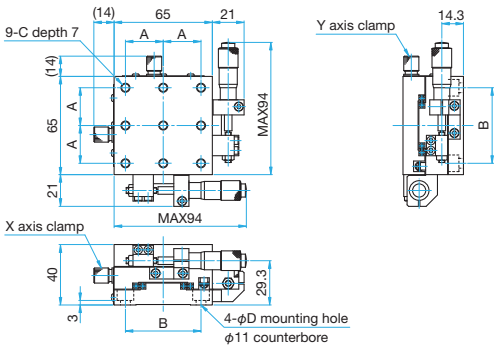
Outline Drawing

TAM-652C-M6/652CUU Hexagonal socket head cap screw M6x8...4 screws (M6)
 Hexagonal socket head cap screw 1/4-20UNCx3/8...4 screws (UU)



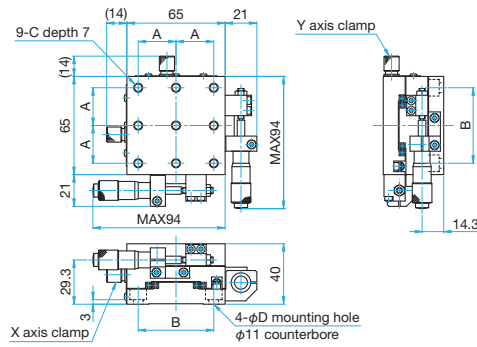
Part Number	A (mm)	B (mm)	C	D (mm)
TAM-652C-M6	25	50	M6 P1	6.5
TAM-652CUU	25.4	50.8	1/4-20UNC	7

TAM-652S-M6/652SUU Hexagonal socket head cap screw M6x8...4 screws (M6)
 Hexagonal socket head cap screw 1/4-20UNCx3/8...4 screws (UU)



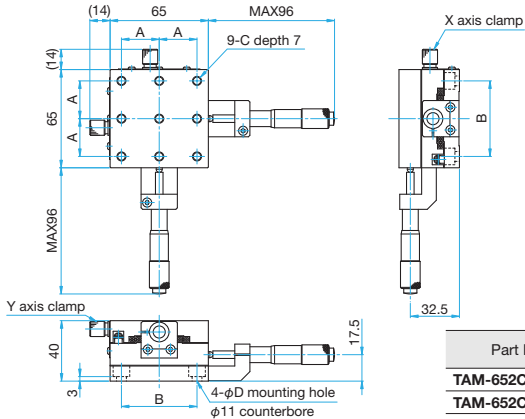
Part Number	A (mm)	B (mm)	C	D (mm)
TAM-652S-M6	25	50	M6 P1	6.5
TAM-652SUU	25.4	50.8	1/4-20UNC	7

TAM-652SR-M6/652SRUU Hexagonal socket head cap screw M6x8...4 screws (M6)
 Hexagonal socket head cap screw 1/4-20UNCx3/8...4 screws (UU)



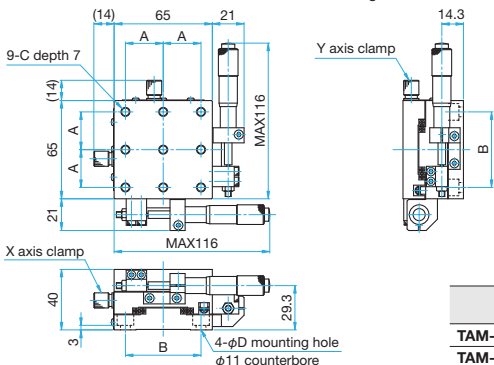
Part Number	A (mm)	B (mm)	C	D (mm)
TAM-652SR-M6	25	50	M6 P1	6.5
TAM-652SRUU	25.4	50.8	1/4-20UNC	7

TAM-652C25-M6/652C25UU Hexagonal socket head cap screw M6x8...4 screws (M6)
 Hexagonal socket head cap screw 1/4-20UNCx3/8...4 screws (UU)



Part Number	A (mm)	B (mm)	C	D (mm)
TAM-652C25-M6	25	50	M6 P1	6.5
TAM-652C25UU	25.4	50.8	1/4-20UNC	7

TAM-652S25-M6/652S25UU Hexagonal socket head cap screw M6x8...4 screws (M6)
 Hexagonal socket head cap screw 1/4-20UNCx3/8...4 screws (UU)



Part Number	A (mm)	B (mm)	C	D (mm)
TAM-652S25-M6	25	50	M6 P1	6.5
TAM-652S25UU	25.4	50.8	1/4-20UNC	7

Application Systems

Optics & Optical Coatings

Opto-Mechanics

Bases

Manual Stages

Actuators & Adjusters

Motoeized Stages

Light Sources & Laser Safety

Index

Guide

X Axis Stages

XY Axis Stages

Z Axis Stages

XZ Axis Stages

XYZ Axis Stages

Rotation Stages

Goniometer

Tilt Stages

Vacuum

Ball Bearing Guide

Crossed Roller

Dovetail

Lapping

V Groove Screw

Others

15 × 15 mm

25 × 25 mm

40 × 40 mm

60 × 60 mm

65 × 65 mm

80 × 80 mm

100 × 100 mm

120 × 120 mm

Others

X Axis Aluminum Crossed Roller Translation Stages

XY Axis Aluminum Crossed Roller Translation Stages

TAM-801

Stage Size 80 × 80 mm

RoHS

TAM-802

Application Systems

Optics & Optical Coatings

Opto-Mechanics

Bases

Manual Stages

Actuators & Adjusters

Motorized Stages

Light Sources & Laser Safety

Index

Guide

X Axis Stages

XY Axis Stages

Z Axis Stages

XZ Axis Stages

XYZ Axis Stages

Rotation Stages

Goniometer

Tilt Stages

Vacuum

Ball Bearing Guide

Crossed Roller

Dovetail

Lapping

V Groove Screw

Others

15 × 15 mm

25 × 25 mm

40 × 40 mm

60 × 60 mm

65 × 65 mm

80 × 80 mm

100 × 100 mm

120 × 120 mm

Others

High precision crossed-roller linear translation stages with black anodized aluminum bodies.



Attention

- ▶ Micrometer brackets may extend above the top surface of some stages. Check drawings for detailed information.
- ▶ Note that based upon payload size, rated travel could be reduced.

Specifications					
Part Number	METRIC	TAM-801C	TAM-801S	TAM-802C	TAM-802S
(Opposite Model)	METRIC	—	TAM-801SR	—	TAM-802SR
Stage Size [mm]		80×80	80×80	80×80	80×80
Axes of Travel		X axis		XY axis	
Micrometer Position		Center	Side	Center	Side
Travel [mm]		±7.5	±7.5	±7.5	±7.5
Lead of Actuator [mm/rotation]		0.5	0.5	0.5	0.5
Micrometer Readable Resolution [mm]		0.01	0.01	0.01	0.01
Guide Method		Crossed roller			
Primary Material		Aluminum			
Finish		Black anodized			
Load Capacity [N]		392 (40.0kgf)	392 (40.0kgf)	392 (40.0kgf)	392 (40.0kgf)
Travel Accuracy	Straightness [μm]	2	2	2	2
	Pitch [″]	25	25	25	25
	Yaw [″]	15	15	15	15
Max. Moment Capacity	Pitch [N·m]	12.3	12.3	12.3	12.3
	Roll [N·m]	15.7	15.7	12.3	12.3
	Yaw [N·m]	14.7	14.7	14.7	14.7
Moment Stiffness	Pitch [″/N·cm]	0.12	0.12	0.23	0.23
	Roll [″/N·cm]	0.1	0.1	0.23	0.23
Parallelism [μm]		30	30	50	50
Running Parallelism [μm]		10	10	20	20
Orthogonality [μm]		—	—	10	10
Options		FP/DM/WP	FP/DM/WP	FP/DM/WP	FP/DM/WP
Weight [kg]		0.6	0.6	0.9	0.9

Option					
Option Code	Compatible product		Lead of Actuator [mm/rotation]	Micrometer Readable Resolution [mm]	Reference
	Products Name	Part Number			
FP	Fine-pitch Screw Adjusters	FPSA-62550	0.25	—	E008
DM	Differential Micrometer Heads	MHF2-13F	Coars: 0.5 Fine: 0.025	Coars: 0.01 Fine: 0.0005	
WP	Sub-micron Worm Drive Micrometer Heads	WGP-13	Coars: 0.25 Fine: 0.005	Coars: 0.005 Fine: 0.0005	

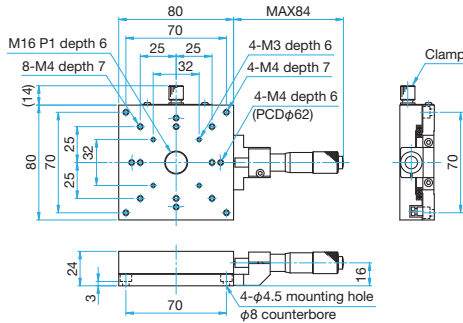
* Please add an option code as the part number suffix to specify various optional specifications.

* The travel of DM and WP is ±6.5 mm.

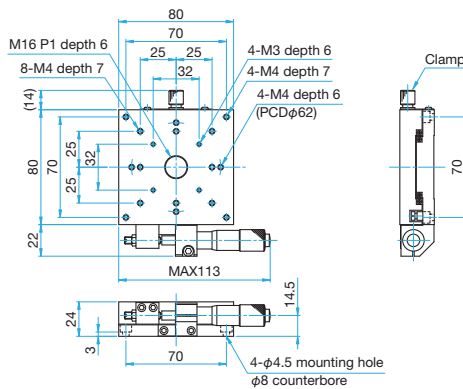


Outline Drawing

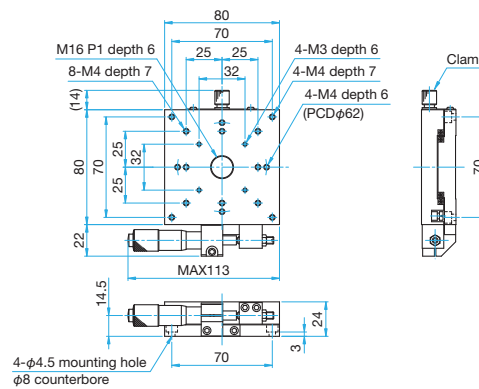
TAM-801C Hexagonal socket head cap screw M4x8...4 screws



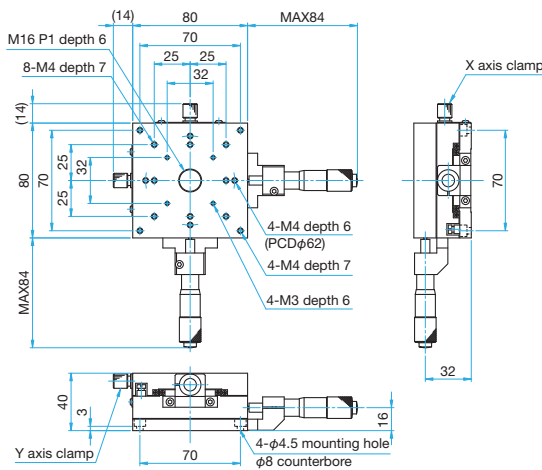
TAM-801S Hexagonal socket head cap screw M4x8...4 screws



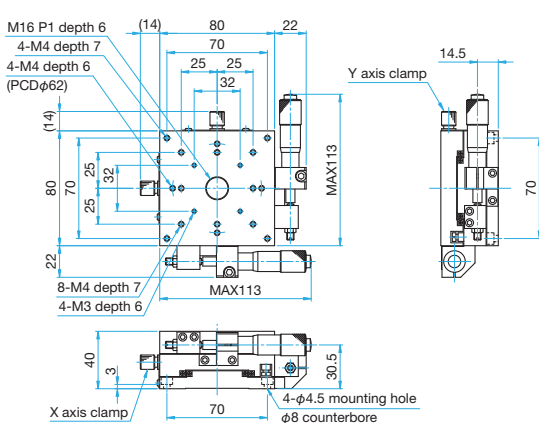
TAM-801SR Hexagonal socket head cap screw M4x8...4 screws



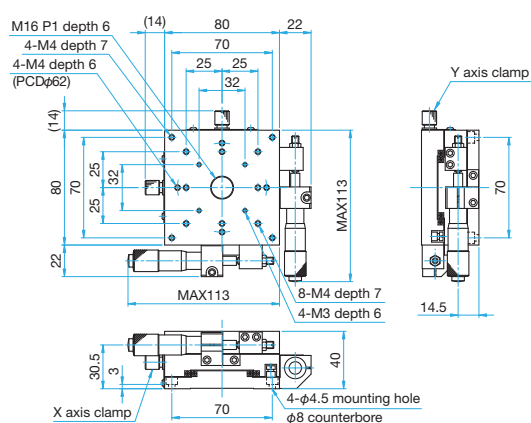
TAM-802C Hexagonal socket head cap screw M4x8...4 screws



TAM-802S Hexagonal socket head cap screw M4x8...4 screws



TAM-802SR Hexagonal socket head cap screw M4x8...4 screws



Application Systems

Optics & Optical Coatings

Opto-Mechanics

Bases

Manual Stages

Actuators & Adjusters

MotORIZED Stages

Light Sources & Laser Safety

Index

Guide

X Axis Stages

XY Axis Stages

Z Axis Stages

XZ Axis Stages

XYZ Axis Stages

Rotation Stages

Goniometer

Tilt Stages

Vacuum

Ball Bearing Guide

Crossed Roller

Dovetail

Lapping

V Groove Screw

Others

15 x 15 mm

25 x 25 mm

40 x 40 mm

60 x 60 mm

65 x 65 mm

80 x 80 mm

100 x 100 mm

120 x 120 mm

Others

X Axis Aluminum Crossed Roller Translation Stages

XY Axis Aluminum Crossed Roller Translation Stages

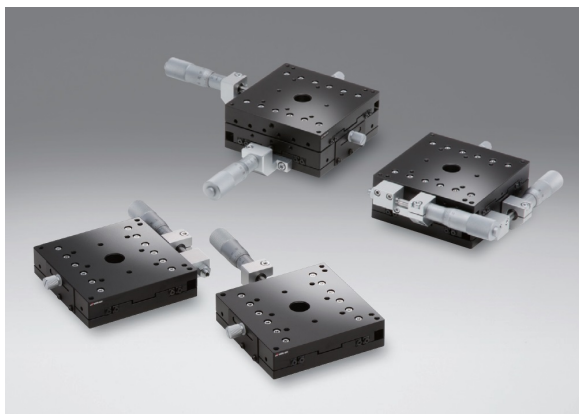
TAM-1001

Stage Size 100 x 100 mm

TAM-1002

RoHS

High precision crossed-roller linear translation stages with black anodized aluminum bodies.



Attention

- ▶ Micrometer brackets may extend above the top surface of some stages. Check drawings for detailed information.
- ▶ Note that based upon payload size, rated travel could be reduced.

Application Systems

Optics & Optical Coatings

Opto-Mechanics

Bases

Manual Stages

Actuators & Adjusters

Motorized Stages

Light Sources & Laser Safety

Index

Guide

X Axis Stages

XY Axis Stages

Z Axis Stages

XZ Axis Stages

XYZ Axis Stages

Rotation Stages

Goniometer

Tilt Stages

Vacuum

Ball Bearing Guide

Crossed Roller

Dovetail

Lapping

V Groove Screw

Others

15 x 15 mm

25 x 25 mm

40 x 40 mm

60 x 60 mm

65 x 65 mm

80 x 80 mm

100 x 100 mm

120 x 120 mm

Others

Specifications

Part Number	METRIC	TAM-1001C	TAM-1001S	TAM-1002C	TAM-1002S
(Opposite Model)	METRIC	—	TAM-1001SR	—	TAM-1002SR
Stage Size [mm]		100x100	100x100	100x100	100x100
Axes of Travel		X axis		XY axis	
Micrometer Position		Center	Side	Center	Side
Travel [mm]		±12.5	±12.5	±12.5	±12.5
Lead of Actuator [mm/rotation]		0.5	0.5	0.5	0.5
Micrometer Readable Resolution [mm]		0.01	0.01	0.01	0.01
Guide Method		Crossed roller			
Primary Material		Aluminum			
Finish		Black anodized			
Load Capacity [N]		490 (50.0kgf)	490 (50.0kgf)	490 (50.0kgf)	490 (50.0kgf)
Travel Accuracy	Straightness [μm]	2	2	2	2
	Pitch ["]	25	25	25	25
	Yaw ["]	15	15	15	15
Max. Moment Capacity	Pitch [N·m]	27.5	27.5	27.5	27.5
	Roll [N·m]	40.7	40.7	27.5	27.5
	Yaw [N·m]	30.9	30.9	30.9	30.9
Moment Stiffness	Pitch ["/N·cm]	0.09	0.09	0.17	0.17
	Roll ["/N·cm]	0.07	0.07	0.17	0.17
Parallelism [μm]		50	50	50	50
Running Parallelism [μm]		15	15	25	25
Orthogonality [μm]		—	—	10	10
Options		FP/DG	FP	FP/DG	FP
Weight [kg]		0.9	0.9	1.5	1.5

Option

Option Code	Compatible product		Lead of Actuator [mm/rotation]	Micrometer Readable Resolution [mm]	Reference
	Products Name	Part Number			
FP	Fine-pitch Screw Adjusters	FPSA-62555	0.25	—	E008
DG	Micrometer Heads (Digital display)	MHN2-25M	0.5	0.001	

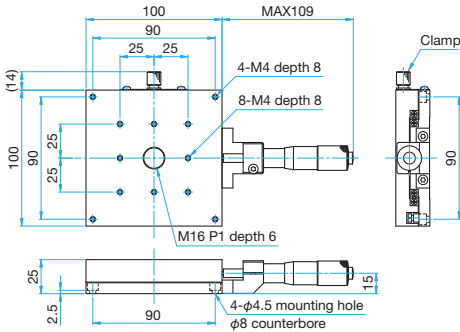
* Please add an option code as the part number suffix to specify various optional specifications.

* DG is a digital display type. [Reference](#) F005 [Catalog Code](#) W8002

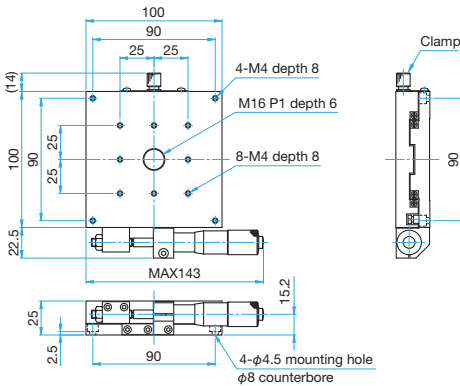


Outline Drawing

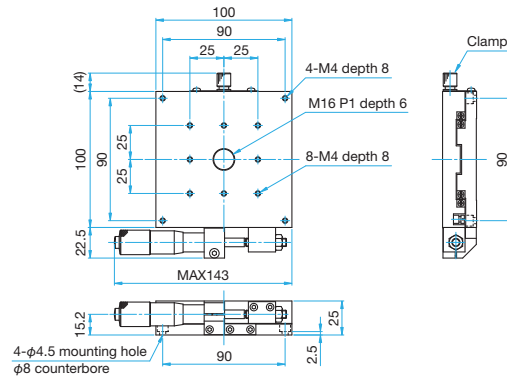
TAM-1001C Hexagonal socket head cap screw M4x8...4 screws, Spring washers



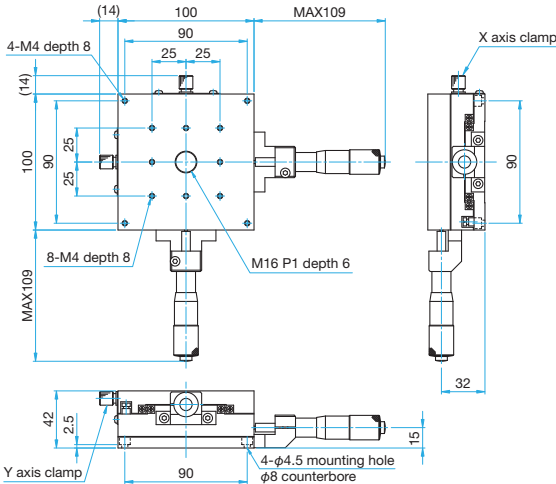
TAM-1001S Hexagonal socket head cap screw M4x8...4 screws, Spring washers



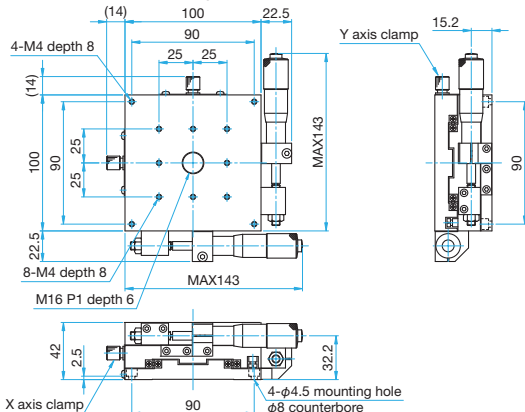
TAM-1001SR Hexagonal socket head cap screw M4x8...4 screws, Spring washers



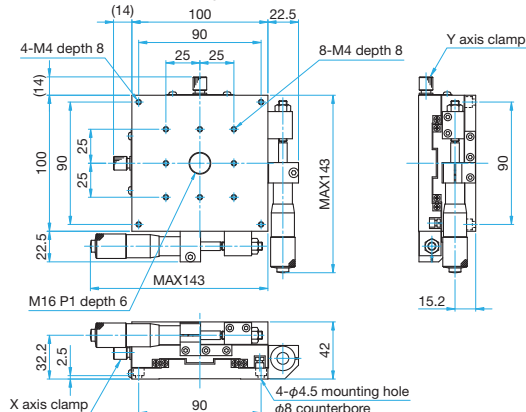
TAM-1002C Hexagonal socket head cap screw M4x8...4 screws, Spring washers



TAM-1002S Hexagonal socket head cap screw M4x8...4 screws, Spring washers



TAM-1002SR Hexagonal socket head cap screw M4x8...4 screws, Spring washers



Application Systems

Optics & Optical Coatings

Opto-Mechanics

Bases

Manual Stages

Actuators & Adjusters

Motoeized Stages

Light Sources & Laser Safety

Index

Guide

X Axis Stages

XY Axis Stages

Z Axis Stages

XZ Axis Stages

XYZ Axis Stages

Rotation Stages

Goniometer

Tilt Stages

Vacuum

Ball Bearing Guide

Crossed Roller

Dovetail

Lapping

V Groove Screw

Others

15 × 15 mm

25 × 25 mm

40 × 40 mm

60 × 60 mm

65 × 65 mm

80 × 80 mm

100 × 100 mm

120 × 120 mm

Others

X Axis Aluminum Crossed Roller Translation Stages

Stage Size 120 × 120 mm

TAM-1201

RoHS

High precision crossed-roller linear translation stages with black anodized aluminum bodies.

- There are M4, M6 or 1/4-20 inch tapped hole versions available.
- Both left and right hand adjustment versions available.
- All stages are equipped with a robust knurled head locking screw.



Attention

- ▶ Micrometer brackets may extend above the top surface of some stages. Check drawings for more information.
- ▶ Note that based upon payload size, rated travel could be reduced.

Application Systems

Optics & Optical Coatings

Opto-Mechanics

Bases

Manual Stages

Actuators & Adjusters

Motorized Stages

Light Sources & Laser Safety

Index

Guide

X Axis Stages

XY Axis Stages

Z Axis Stages

XZ Axis Stages

XYZ Axis Stages

Rotation Stages

Goniometer

Tilt Stages

Vacuum

Ball Bearing Guide

Crossed Roller

Dovetail

Lapping

V Groove Screw

Others

15 × 15 mm

25 × 25 mm

40 × 40 mm

60 × 60 mm

65 × 65 mm

80 × 80 mm

100 × 100 mm

120 × 120 mm

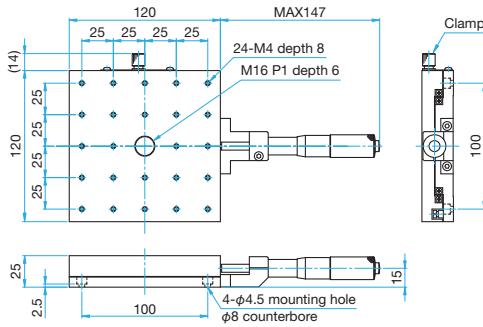
Others

Specifications					
Part Number	METRIC	TAM-1201C	TAM-1201S	TAM-1201C-M6	TAM-1201S-M6
	INCH	—	—	TAM-1201CUU	TAM-1201SUU
(Opposite Model)	METRIC	—	TAM-1201SR	—	TAM-1201SR-M6
	INCH	—	—	—	TAM-1201SRUU
Stage Size [mm]		120×120	120×120	120×120	120×120
Axes of Travel		X axis			
Micrometer Position		Center	Side	Center	Side
Travel [mm]		±20	±20	±20	±20
Lead of Actuator [mm/rotation]		0.5	0.5	0.5	0.5
Micrometer Readable Resolution [mm]		0.01	0.01	0.01	0.01
Guide Method		Crossed roller			
Primary Material		Aluminum			
Finish		Black anodized			
Load Capacity [N]		588 (60.0kgf)	588 (60.0kgf)	588 (60.0kgf)	588 (60.0kgf)
Travel Accuracy	Straightness [μm]	2	2	2	2
	Pitch [″]	40	40	40	40
	Yaw [″]	25	25	25	25
Max. Moment Capacity	Pitch [N·m]	40.7	40.7	40.7	40.7
	Roll [N·m]	60.3	60.3	60.3	60.3
	Yaw [N·m]	52.0	52.0	52.0	52.0
Moment Stiffness	Pitch [°/N·cm]	0.07	0.07	0.07	0.07
	Roll [°/N·cm]	0.05	0.05	0.05	0.05
Parallelism [μm]		50	50	50	50
Running Parallelism [μm]		15	15	15	15
Weight [kg]		1.3	1.3	1.3	1.3

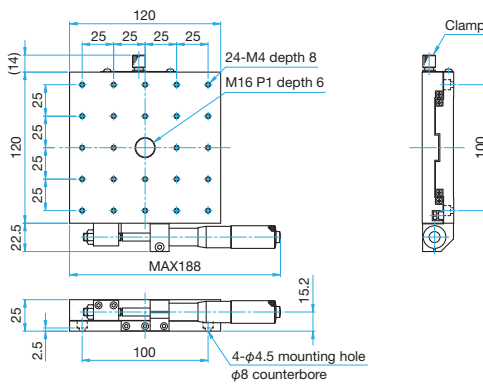


Outline Drawing

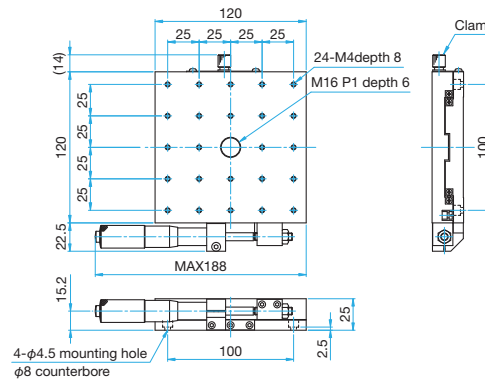
TAM-1201C Hexagonal socket head cap screw M4x8...4 screws, Spring washers



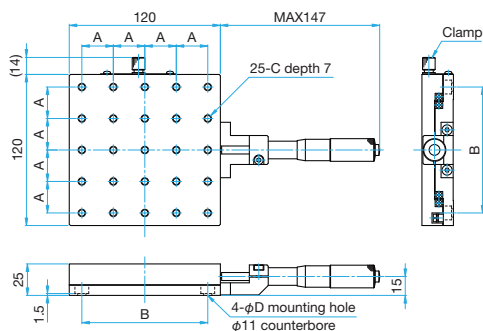
TAM-1201S Hexagonal socket head cap screw M4x8...4 screws, Spring washers



TAM-1201SR Hexagonal socket head cap screw M4x8...4 screws, Spring washers

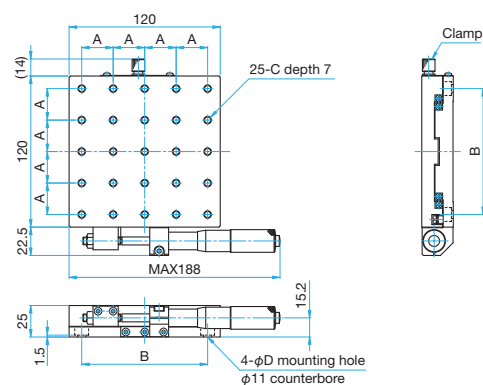


TAM-1201C-M6/1201CUU Hexagonal socket head cap screw M6x8...4 screws (M6)
Hexagonal socket head cap screw (stainless steel construction) 1/4-20UNCx5/16...4 screws (UU)



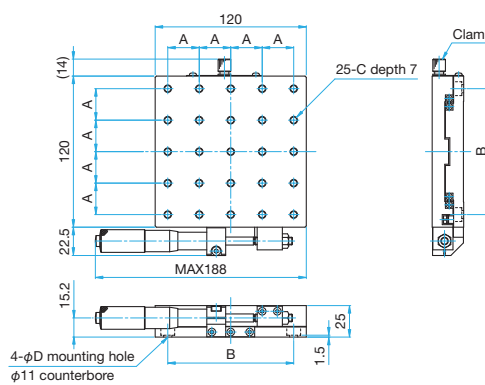
Part Number	A (mm)	B (mm)	C	D (mm)
TAM-1201C-M6	25	100	M6 P1	6.5
TAM-1201CUU	25.4	101.6	1/4-20UNC	7

TAM-1201S-M6/1201SUU Hexagonal socket head cap screw M6x8...4 screws (M6)
Hexagonal socket head cap screw (stainless steel construction) 1/4-20UNCx5/16...4 screws (UU)



Part Number	A (mm)	B (mm)	C	D (mm)
TAM-1201S-M6	25	100	M6 P1	6.5
TAM-1201SUU	25.4	101.6	1/4-20UNC	7

TAM-1201SR-M6/1201SRUU Hexagonal socket head cap screw M6x8...4 screws (M6)
Hexagonal socket head cap screw (stainless steel construction) 1/4-20UNCx5/16...4 screws (UU)



Part Number	A (mm)	B (mm)	C	D (mm)
TAM-1201SR-M6	25	100	M6 P1	6.5
TAM-1201SRUU	25.4	101.6	1/4-20UNC	7

Application Systems

Optics & Optical Coatings

Opto-Mechanics

Bases

Manual Stages

Actuators & Adjusters

MotORIZED Stages

Light Sources & Laser Safety

Index

Guide

X Axis Stages

XY Axis Stages

Z Axis Stages

XZ Axis Stages

XYZ Axis Stages

Rotation Stages

Goniometer

Tilt Stages

Vacuum

Ball Bearing Guide

Crossed Roller

Dovetail

Lapping

V Groove Screw

Others

15 x 15 mm

25 x 25 mm

40 x 40 mm

60 x 60 mm

65 x 65 mm

80 x 80 mm

100 x 100 mm

120 x 120 mm

Others

XY Axis Aluminum Crossed Roller Translation Stages

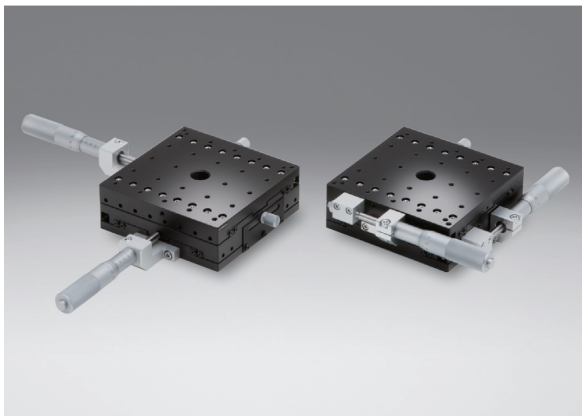
Stage Size 120 × 120 mm

TAM-1202

RoHS

High precision crossed-roller linear translation stages with black anodized aluminum bodies.

- There are M4, M6 or 1/4-20 inch tapped hole versions available.
- Both left and right hand adjustment versions available.
- All stages are equipped with a robust knurled head locking screw.



Attention

- ▶ Micrometer brackets may extend above the top surface of some stages. Check drawings for more information.
- ▶ Note that based upon payload size, rated travel could be reduced.

Application Systems

Optics & Optical Coatings

Opto-Mechanics

Bases

Manual Stages

Actuators & Adjusters

Motorized Stages

Light Sources & Laser Safety

Index

Guide

X Axis Stages

XY Axis Stages

Z Axis Stages

XZ Axis Stages

XYZ Axis Stages

Rotation Stages

Goniometer

Tilt Stages

Vacuum

Ball Bearing Guide

Crossed Roller

Dovetail

Lapping

V Groove Screw

Others

15 × 15 mm

25 × 25 mm

40 × 40 mm

60 × 60 mm

65 × 65 mm

80 × 80 mm

100 × 100 mm

120 × 120 mm

Others

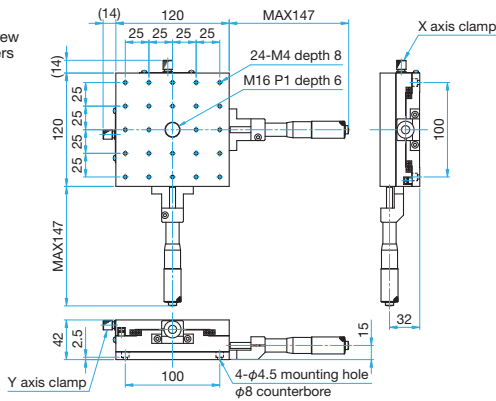
Specifications					
Part Number	METRIC	TAM-1202C	TAM-1202S	TAM-1202C-M6	TAM-1202S-M6
	INCH	—	—	TAM-1202CUU	TAM-1202SUU
(Opposite Model)	METRIC	—	TAM-1202SR	—	TAM-1202SR-M6
	INCH	—	—	—	TAM-1202SRUU
Stage Size [mm]		120×120	120×120	120×120	120×120
Axes of Travel		XY axis			
Micrometer Position		Center	Side	Center	Side
Travel [mm]		±20	±20	±20	±20
Lead of Actuator [mm/rotation]		0.5	0.5	0.5	0.5
Micrometer Readable Resolution [mm]		0.01	0.01	0.01	0.01
Guide Method		Crossed roller			
Primary Material		Aluminum			
Finish		Black anodized			
Load Capacity [N]		588 (60.0kgf)	588 (60.0kgf)	588 (60.0kgf)	588 (60.0kgf)
Travel Accuracy	Straightness [μm]	2	2	2	2
	Pitch ["]	40	40	40	40
	Yaw ["]	25	25	25	25
Max. Moment Capacity	Pitch [N·m]	40.7	40.7	40.7	40.7
	Roll [N·m]	40.7	40.7	40.7	40.7
	Yaw [N·m]	52	52	52	52
Moment Stiffness	Pitch ["/N·cm]	0.13	0.13	0.13	0.13
	Roll ["/N·cm]	0.13	0.13	0.13	0.13
Parallelism [μm]		50	50	50	50
Running Parallelism [μm]		30	30	30	30
Orthogonality [μm]		10	10	10	10
Weight [kg]		2.5	2.5	2.5	2.5



Outline Drawing

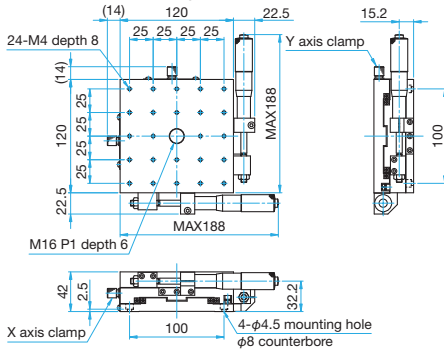
TAM-1202C

Hexagonal socket head cap screw M4x8...4 screws, Spring washers



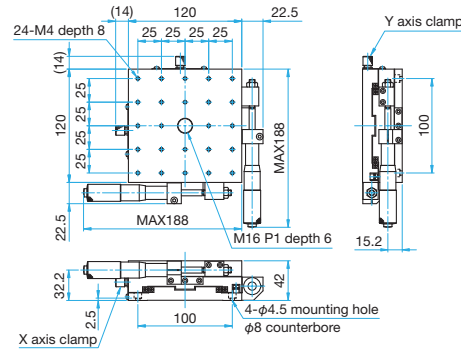
TAM-1202S

Hexagonal socket head cap screw M4x8...4 screws, Spring washers



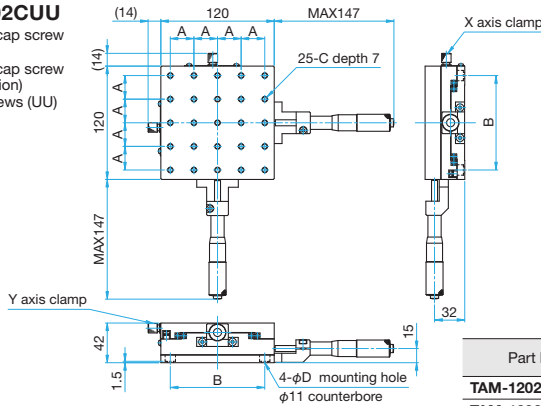
TAM-1202SR

Hexagonal socket head cap screw M4x8...4 screws, Spring washers



TAM-1202C-M6/1202CUU

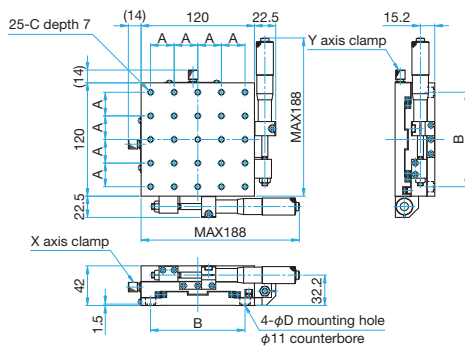
Hexagonal socket head cap screw M6x8...4 screws (M6)
Hexagonal socket head cap screw (stainless steel construction) 1/4-20UNCx5/16...4 screws (UU)



Part Number	A (mm)	B (mm)	C	D (mm)
TAM-1202C-M6	25	100	M6 P1	6.5
TAM-1202CUU	25.4	101.6	1/4-20UNC	7

TAM-1202S-M6/1202SUU

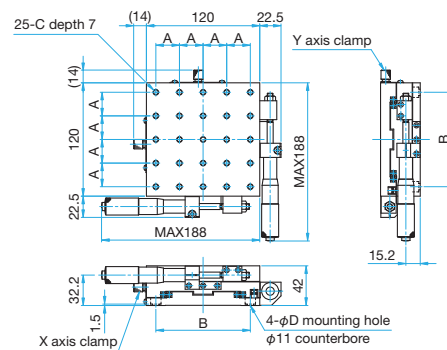
Hexagonal socket head cap screw M6x8...4 screws (M6)
Hexagonal socket head cap screw (stainless steel construction) 1/4-20UNCx5/16...4 screws (UU)



Part Number	A (mm)	B (mm)	C	D (mm)
TAM-1202S-M6	25	100	M6 P1	6.5
TAM-1202SUU	25.4	101.6	1/4-20UNC	7

TAM-1202SR-M6/1202SRUU

Hexagonal socket head cap screw M6x8...4 screws (M6)
Hexagonal socket head cap screw (stainless steel construction) 1/4-20UNCx5/16...4 screws (UU)



Part Number	A (mm)	B (mm)	C	D (mm)
TAM-1202SR-M6	25	100	M6 P1	6.5
TAM-1202SRUU	25.4	101.6	1/4-20UNC	7

Application Systems

Optics & Optical Coatings

Opto-Mechanics

Bases

Manual Stages

Actuators & Adjusters

MotORIZED Stages

Light Sources & Laser Safety

Index

Guide

X Axis Stages

XY Axis Stages

Z Axis Stages

XZ Axis Stages

XYZ Axis Stages

Rotation Stages

Goniometer

Tilt Stages

Vacuum

Ball Bearing Guide

Crossed Roller

Dovetail

Lapping

V Groove Screw

Others

15 × 15 mm

25 × 25 mm

40 × 40 mm

60 × 60 mm

65 × 65 mm

80 × 80 mm

100 × 100 mm

120 × 120 mm

Others

X Axis Long Travel Aluminum Crossed Roller Translation Stages

XY Axis Long Travel Aluminum Crossed Roller Translation Stages

TAM-10161

Stage Size 100 x 160 mm

RoHS

TAM-10162

Application Systems

Optics & Optical Coatings

Opto-Mechanics

Bases

Manual Stages

Actuators & Adjusters

Motorized Stages

Light Sources & Laser Safety

Index

Guide

X Axis Stages

XY Axis Stages

Z Axis Stages

XZ Axis Stages

XYZ Axis Stages

Rotation Stages

Goniometer

Tilt Stages

Vacuum

Ball Bearing Guide

Crossed Roller

Dovetail

Lapping

V Groove Screw

Others

15 x 15 mm

25 x 25 mm

40 x 40 mm

60 x 60 mm

65 x 65 mm

80 x 80 mm

100 x 100 mm

120 x 120 mm

Others

High precision crossed-roller linear translation stages with black anodized aluminum bodies.

- Rectangular shape minimizes stage footprint while providing longer travel.
- Unique course/fine feature uses a 5mm lead screw on one end, enabling fast translation, and a micrometer on the opposite end for fine adjustments.



Attention

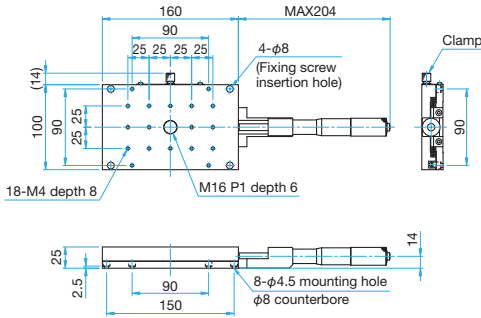
- Note that based upon payload size, rated travel could be reduced.

Specifications						
Part Number	METRIC	TAM-10161C	TAM-10161SDM	TAM-10161S	TAM-10162C	TAM-10162S
(Opposite Model)	METRIC	—	—	TAM-10161SR	—	TAM-10162SR
Stage Size [mm]		100×160	100×160	100×160	100×160	100×160
Axes of Travel		X axis			XY axis	
Micrometer Position		Center	Side	Side	Center	Side
Travel [mm]		±25	Coars: ±35 Fine: ±3	±25	±25	±25
Lead of Actuator [mm/rotation]		0.5	Coars: 5 Fine: 0.5	0.5	0.5	0.5
Micrometer Readable Resolution [mm]		0.01	0.01	0.01	0.01	0.01
Guide Method		Crossed roller				
Primary Material		Aluminum				
Finish		Black anodized				
Load Capacity [N]		588 (60.0kgf)	588 (60.0kgf)	588 (60.0kgf)	588 (60.0kgf)	588 (60.0kgf)
Travel Accuracy	Straightness [μm]	2	2	2	2	2
	Pitch ["]	40	40	40	40	40
	Yaw ["]	25	25	25	25	25
Max. Moment Capacity	Pitch [N·m]	62.8	62.8	62.8	60.8	60.8
	Roll [N·m]	60.8	60.8	60.8	60.8	60.8
	Yaw [N·m]	58.9	58.8	58.9	58.9	58.9
Moment Stiffness	Pitch ["/N·cm]	0.046	0.046	0.046	0.087	0.087
	Roll ["/N·cm]	0.04	0.04	0.04	0.087	0.087
Parallelism [μm]		100	100	100	200	200
Running Parallelism [μm]		15	20	15	30	30
Weight [kg]		1.3	1.4	1.4	2.5	2.7

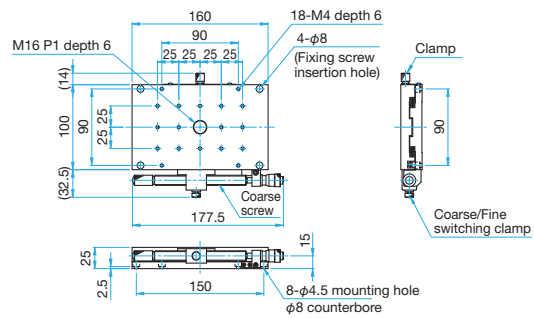


Outline Drawing

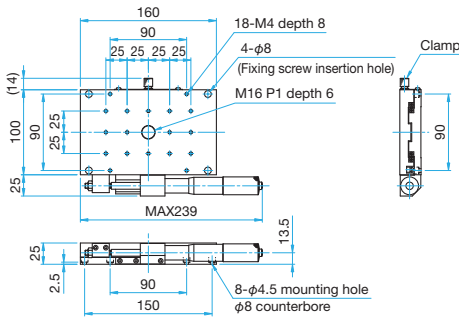
TAM-10161C Hexagonal socket head cap screw M4x8...4 screws, Spring washers



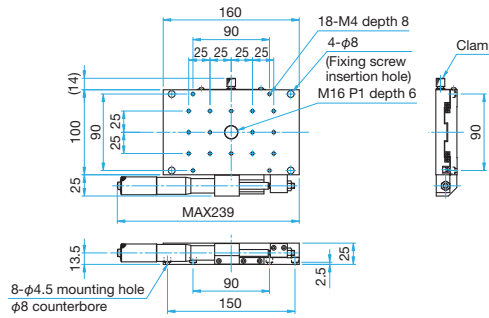
TAM-10161SDM Hexagonal socket head cap screw M4x6...4 screws



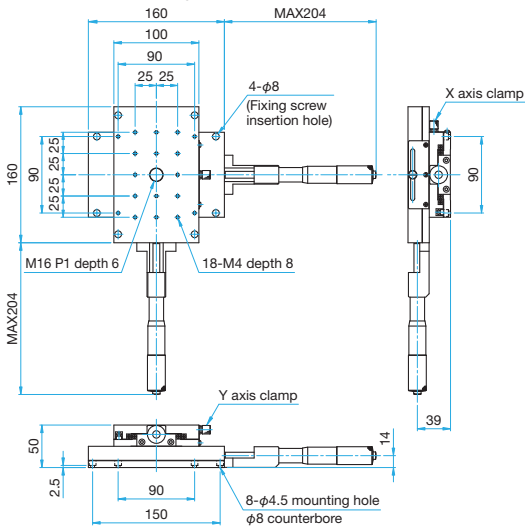
TAM-10161S Hexagonal socket head cap screw M4x8...4 screws, Spring washers



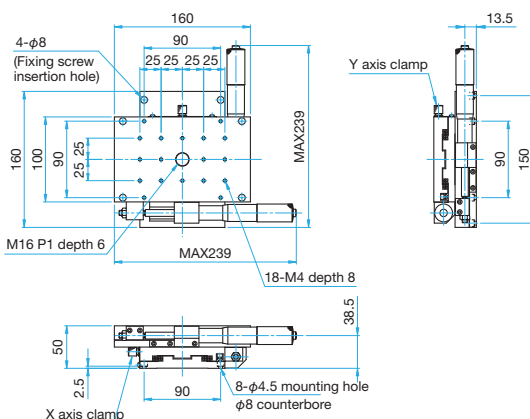
TAM-10161SR Hexagonal socket head cap screw M4x8...4 screws, Spring washers



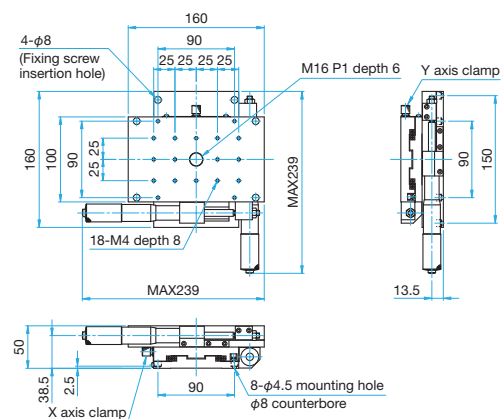
TAM-10162C Hexagonal socket head cap screw M4x8...4 screws, Spring washers



TAM-10162S Hexagonal socket head cap screw M4x8...4 screws, Spring washers



TAM-10162SR Hexagonal socket head cap screw M4x8...4 screws, Spring washers



Application Systems

Optics & Optical Coatings

Opto-Mechanics

Bases

Manual Stages

Actuators & Adjusters

MotORIZED Stages

Light Sources & Laser Safety

Index

Guide

X Axis Stages

XY Axis Stages

Z Axis Stages

XZ Axis Stages

XYZ Axis Stages

Rotation Stages

Goniometer

Tilt Stages

Vacuum

Ball Bearing Guide

Crossed Roller

Dovetail

Lapping

V Groove Screw

Others

15 × 15 mm

25 × 25 mm

40 × 40 mm

60 × 60 mm

65 × 65 mm

80 × 80 mm

100 × 100 mm

120 × 120 mm

Others