

Ultrathin Rotation Stage with Central Aperture

Stage Size 40 × 40 mm / 60 × 60 mm

KSPT

RoHS

Square footprint of rotation stages with a clear aperture at the center. total stage thickness 10mm. Can be installed in arbitrary orientations such as vertical or inverted due to superior stiffness inherent to the intergrated bearing way design.

- Ideal for use in systems that require angular adjustment of high loads or that are constrained for space.



Guide

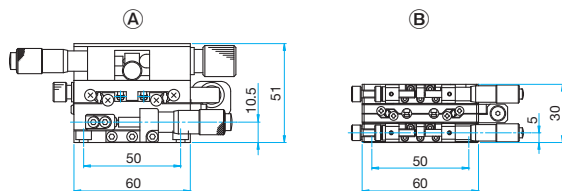
- ▶ Low-profile X axis steel stage (TSDT) with stage thickness of 10mm is also available. [Reference](#) E016 [Catalog Code](#) W7003
- ▶ Opposed clamp locking mechanism standard.
- ▶ The part number suffix FP indicates products with fine-pitch screws instead of standard micrometers. Fine Pitch screws have a screw pitch of 0.25mm and require a hex wrench or the optional hex wrench with knob (KCL) for adjustment. [Reference](#) F010 [Catalog Code](#) W8008



Attention

- ▶ When installing on a vertical surface, please make sure to place the micrometer head pointing down so that gravity pulls in the same direction as the springs. If the springs oppose gravity, they may not be able to withstand the load and not be able to hold the stage against the micrometer.

Comparison of Thickness when the KSPT is Used (KSP and TSD → KSPT and TSDT)



Part Number	(A)	(B)
θ axis	KSP-606M	KSPT-606MH
Y axis		TSDT-601S
X axis	TSD-602S	TSDT-601S



TSDT-601S + KSPT-606MH combination

Application Systems

Optics & Optical Coatings

Opto-Mechanics

Bases

Manual Stages

Actuators & Adjusters

Motorized Stages

Light Sources & Laser Safety

Index

Guide

X Axis Stages

XY Axis Stages

Z Axis Stages

XZ Axis Stages

XYZ Axis Stages

Rotation Stages

Goniometer

Tilt Stages

Vacuum

Ball Bearing Guide

Crossed Roller

Dovetail

Lapping

V Groove Screw

Others

15 × 15 mm

25 × 25 mm

40 × 40 mm

60 × 60 mm

65 × 65 mm

80 × 80 mm

100 × 100 mm

120 × 120 mm

Others

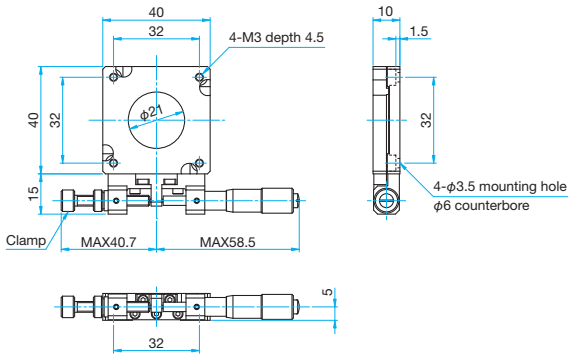
Specifications

Part Number	KSPT-406MH	KSPT-406MHFP	KSPT-606MH	KSPT-606MHFP
Opposite Model/Part Number	KSPT-406MRH	KSPT-406MRHFP	KSPT-606MRH	KSPT-606MRHFP
Stage Size [mm]	40×40	40×40	60×60	60×60
Rotation Range [°]	±10	±10	±10	±10
Guide Method	Extended contact ball bearing guide			
Primary Material	Steel			
Finish	Black matte			
Load Capacity [N]	78.4 (8.0kgf)	78.4 (8.0kgf)	147 (15.0kgf)	147 (15.0kgf)
Max. Moment Capacity	Pitch [N·m]	3.9	3.9	6.4
	Roll [N·m]	3.9	3.9	6.4
Moment Stiffness	Pitch [°/N·cm]	0.3	0.3	0.15
	Roll [°/N·cm]	0.6	0.6	0.3
Parallelism [μm]	30	30	30	30
Eccentricity [μm]	10	10	10	10
Wobble [μm]	10	10	10	10
Weight [kg]	0.11	0.11	0.18	0.18

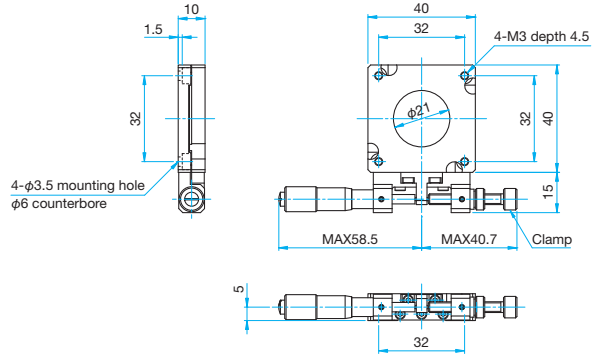


Outline Drawing

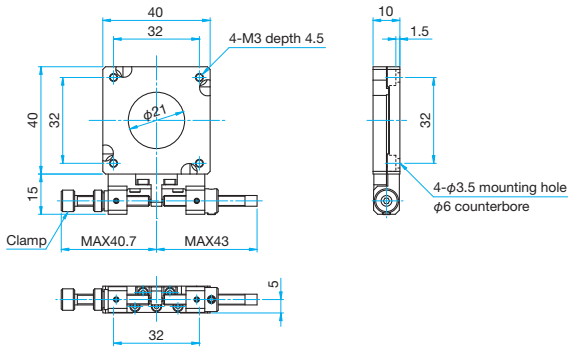
KSPT-406MH Low head hexagon socket head cap screw M3x5...4 screws



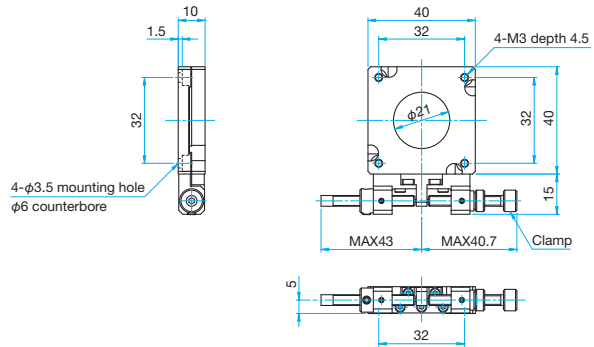
KSPT-406MRH Low head hexagon socket head cap screw M3x5...4 screws



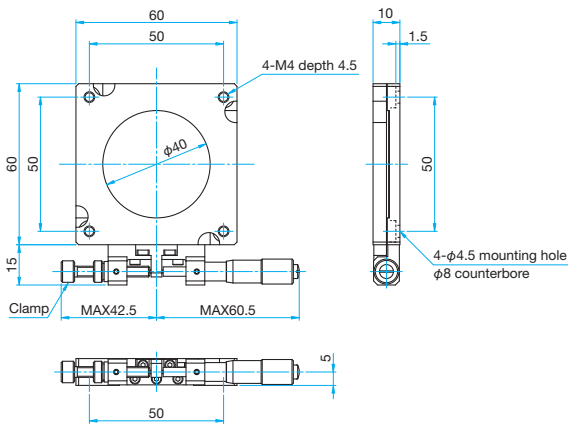
KSPT-406MHFP Low head hexagon socket head cap screw M3x5...4 screws 3mm



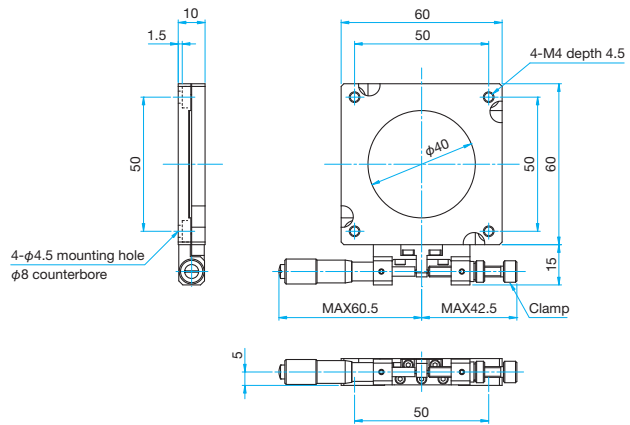
KSPT-406MRHFP Low head hexagon socket head cap screw M3x5...4 screws 3mm



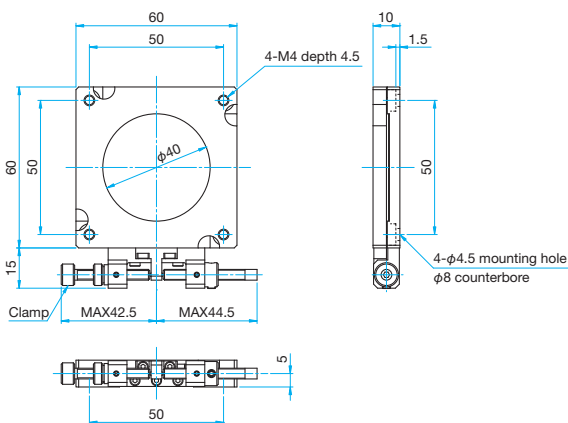
KSPT-606MH Low head hexagon socket head cap screw M4x6...4 screws



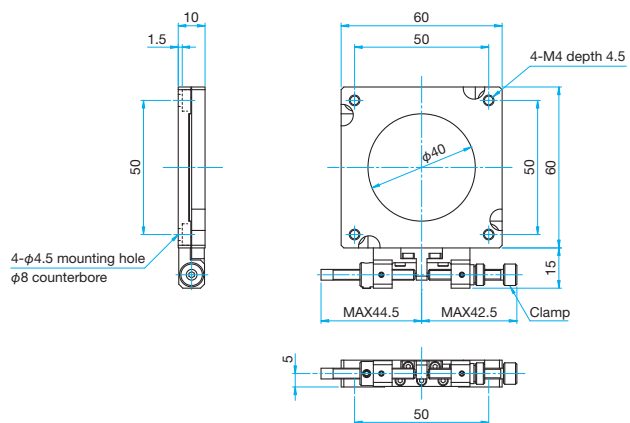
KSPT-606MRH Low head hexagon socket head cap screw M4x6...4 screws



KSPT-606MHFP Low head hexagon socket head cap screw M4x6...4 screws 3mm



KSPT-406MRHFP Low head hexagon socket head cap screw M4x6...4 screws 3mm



Application Systems

Optics & Optical Coatings

Opto-Mechanics

Bases

Manual Stages

Actuators & Adjusters

MotORIZED Stages

Light Sources & Laser Safety

Index

Guide

X Axis Stages

XY Axis Stages

Z Axis Stages

XZ Axis Stages

XYZ Axis Stages

Rotation Stages

Goniometer

Tilt Stages

Vacuum

Ball Bearing Guide

Crossed Roller

Dovetail

Lapping

V Groove Screw

Others

15 x 15 mm

25 x 25 mm

40 x 40 mm

60 x 60 mm

65 x 65 mm

80 x 80 mm

100 x 100 mm

120 x 120 mm

Others